





PATENTED

# Universal

**Universal** is the innovative Temo Scorevoli frame, designed for doors in glass, timber and aluminium. Clean lines, reduced encumbrances, high resistance. These are the main features of a product which allows today, thanks to totally renovated design, to meet the market demands of designers and architects.

LINEAR INTERIOR SYSTEMS INC.

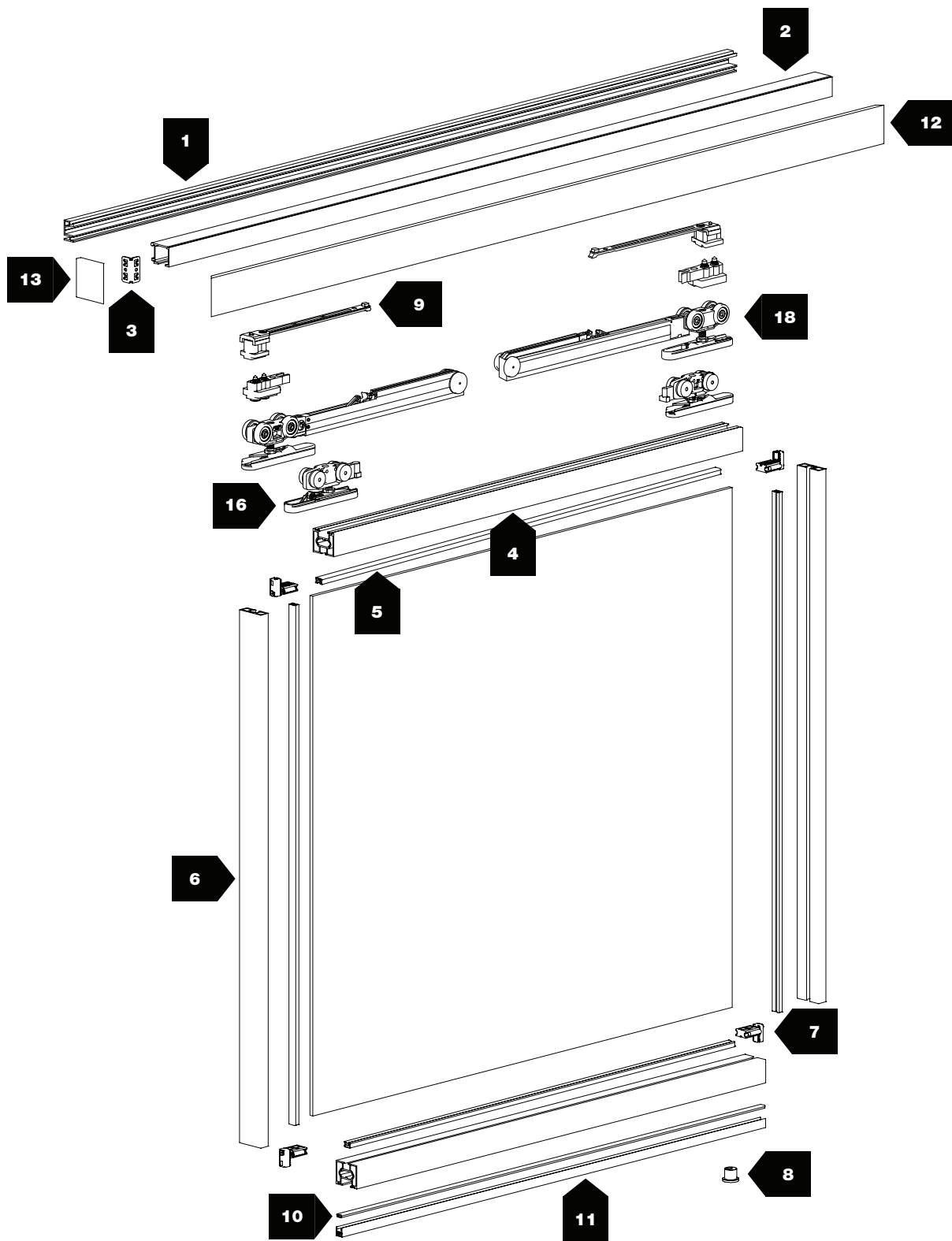
Revised 21-12-2022

T. 905-265-0055

F. 905-265-0035

[info@linearinteriorsystems.com](mailto:info@linearinteriorsystems.com)

[www.linearinteriorsystems.com](http://www.linearinteriorsystems.com)



770 mm ÷ 1500 mm

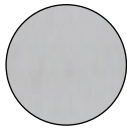


Max 3000 mm

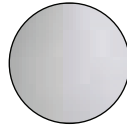


Max 80 kg

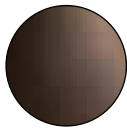
Aluminium Track Finishes:



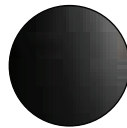
**01**  
Anodized Silver



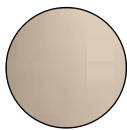
**02 AS**  
Brushed Anodized Silver



**13 E3S**  
Brushed Anodized Dark Brown

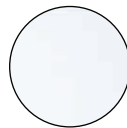


**15 NS**  
Brushed Anodized Black

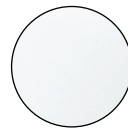


**17 NKS**  
Brushed Anodized Nickel

Glass Finishes:



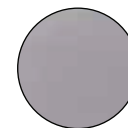
**LC**  
Transparent



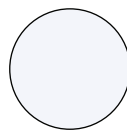
**LF**  
Frosted



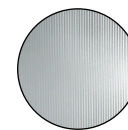
**LB**  
Transparent Bronze



**LG**  
Transparent Grey

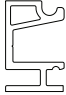
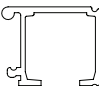
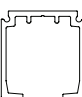
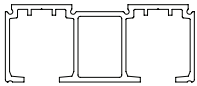
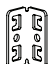
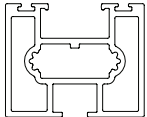
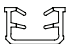
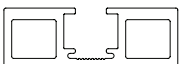
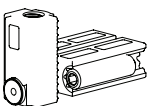
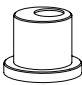

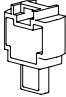
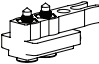



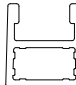
**SWT**  
Frosted Super White


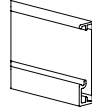
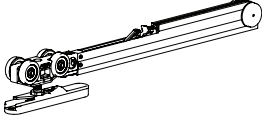
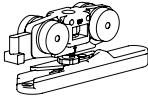


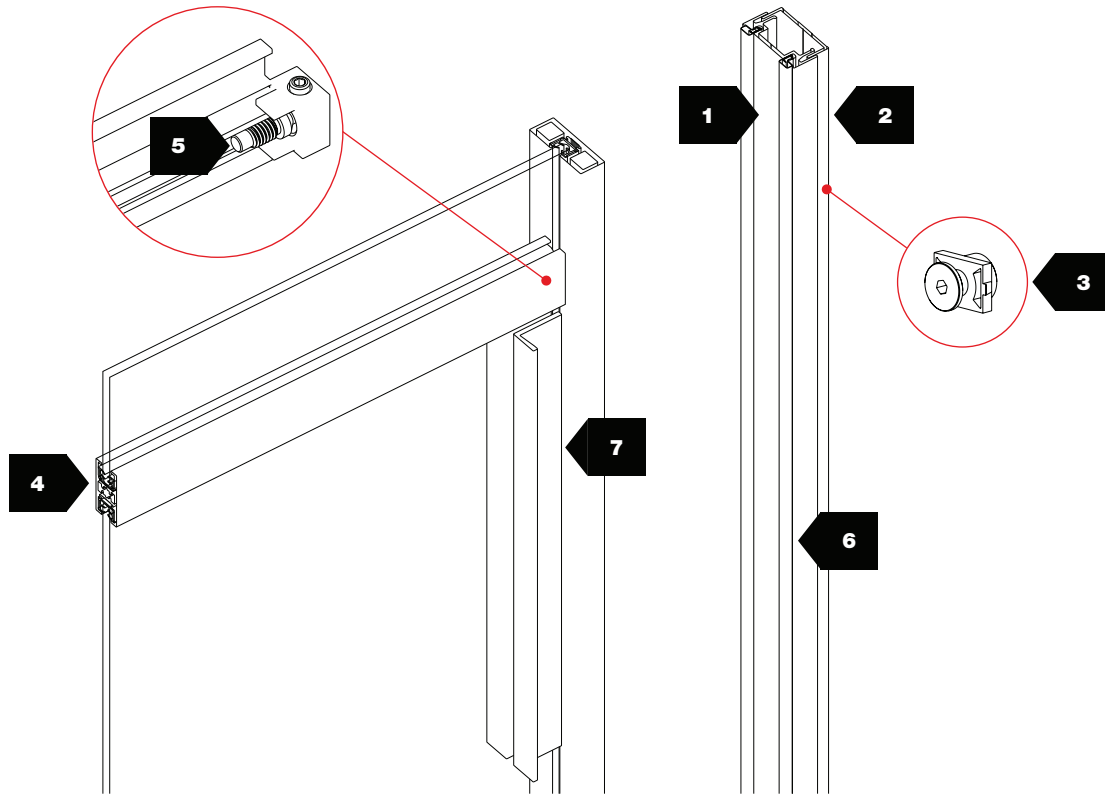
**RG**  
Reeded Glass



N°	Barcode		kg	
1	1710		—	
2	1700		—	
	1280		—	
	1560		—	
3	2756		—	
4	2762		—	
5	2751		—	
6	2761		—	
7	2765		—	
8	1577		—	
9	3354		—	<b>FLUID</b> <b>NEW</b>
	3347		—	
	84		—	

10	266		—	
11	1738		—	

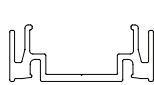
ECLETTICA				
12	2755		—	
13	2755/2		—	
18	3382-80_DX		80	<b>FLUID</b> <b>NEW</b>
	3382-80_SX		80	
		83/T		80



### ADJUSTABLE CLOSING JAMB

### CROSTRACK

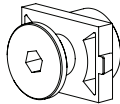
### HANDLE



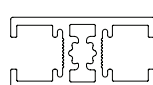
**1**  
ART. 2760



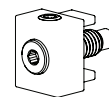
**2**  
ART. 2759



**3**  
ART. 2758



**4**  
ART. 2768



**5**  
ART. 2769



**6**  
ART. 2909



**7**  
ART. 2757

### FINISHES



Anodized Silver



Brushed Anodized Silver



Brushed Anodized Nickel

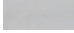


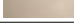


Brushed Anodized Dark Brown

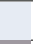





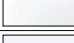


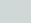



Brushed Anodized Black

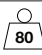
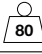
**Tracks** **ALUMINUM FINISHES CODES** 

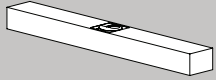
CODE	FINISH COLOR		
8 01 0.0 .....		<b>01 A</b> Anodized Silver	<b>STANDARD</b>
8 02 0.0 .....		<b>02 AS</b> Brushed Anodized Silver	
8 13 0.0 .....		<b>13 E3S</b> Brushed Anodized Dark Brown	<b>SPECIAL</b>
8 15 0.0 .....		<b>15 NS</b> Brushed Anodized Black	
8 17 0.0 .....		<b>17 NKS</b> Brushed Anodized Nickel	

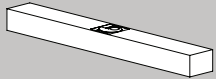
**Glass** **GLASS FINISHES**

CODE	FINISH COLOR		
		<b>.. LC</b> Transparent	<b>STANDARD</b>
		<b>.. LG</b> Transparent Grey	<b>STANDARD</b>
		<b>.. LB</b> Transparent Bronze	<b>STANDARD</b>
		<b>.. LF</b> Frosted	<b>STANDARD</b>
		<b>.. SWT</b> Frosted Super White	<b>STANDARD</b>
		<b>.. RG</b> Reeded Glass	<b>STANDARD</b>

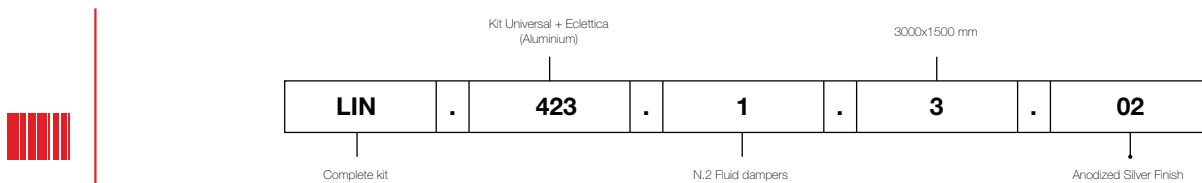
**Universal** **COMPLETE DOOR KIT** 

LIN		Complete kit	
0423		<b>KitUniversal + Eclettica</b> (Aluminium)	
0424		<b>KitUniversal + Eclettica</b> (Fix Aluminium Door)	
		<b>0</b>	N.2 Standard stoppers
		<b>1</b>	N.2 Fluid dampers <b>Eclettica</b>
		<b>0</b>	Multi measurement
		<b>1</b>	2200x1000 mm
		<b>2</b>	2600x1200 mm
		<b>3</b>	3000x1500 mm
		<b>4</b>	W = 1000 mm
		<b>5</b>	W = 1200 mm
		<b>6</b>	W = 1500 mm
		<b>01</b>	Anodized Silver
		<b>02</b>	Brushed Anodized Silver
		<b>13</b>	Brushed Anodized Dark Brown
		<b>15</b>	Brushed Anodized Black
		<b>17</b>	Brushed Anodized Nickel
		<b>LC</b>	Transparent
		<b>LG</b>	Transparent Grey
		<b>LB</b>	Transparent Bronze
		<b>LF</b>	Frosted
		<b>SWT</b>	Frosted Super White
		<b>RG</b>	Reeded Glass

<b>Universal</b>		<b>COMPLETE TRACK KIT</b>		
<b>F</b>	Bundle			
		<b>0427</b>	Universal + Eclettica (Track)	
		<b>5</b>	<b>W</b> – Wall	
		<b>7</b>	<b>C</b> – Ceiling	
		<b>8</b>	<b>C2</b> – Ceiling (Double)	
			<b>1</b>	L = 2000 mm
			<b>2</b>	L = 2400 mm
			<b>3</b>	L = 3000 mm
			<b>02</b>	Brushed Anodized Silver
			<b>13</b>	Brushed Anodized Dark Brown
			<b>15</b>	Brushed Anodized Black
			<b>17</b>	Brushed Anodized Nickel

<b>Universal Optional</b>		<b>COMPLETE OPTIONS KIT</b>		
<b>C.0420</b>	Complete handle kit			
<b>B.0425</b>	Complete load-bearing mullion kit			
<b>B.0428</b>	Complete adjustable closing jamb kit			
		<b>A</b>	Accessories	
		<b>0</b>	120 mm	
		<b>1</b>	1000 mm	
		<b>2</b>	1200 mm	
		<b>3</b>	1500 mm	
		<b>4</b>	2200 mm	
		<b>5</b>	2600 mm	
		<b>6</b>	3000 mm	
			<b>01</b>	Anodized Silver
			<b>02</b>	Brushed Anodized Silver
			<b>13</b>	Brushed Anodized Dark Brown
			<b>15</b>	Brushed Anodized Black
			<b>17</b>	Brushed Anodized Nickel

**EXAMPLE**



**Universal**

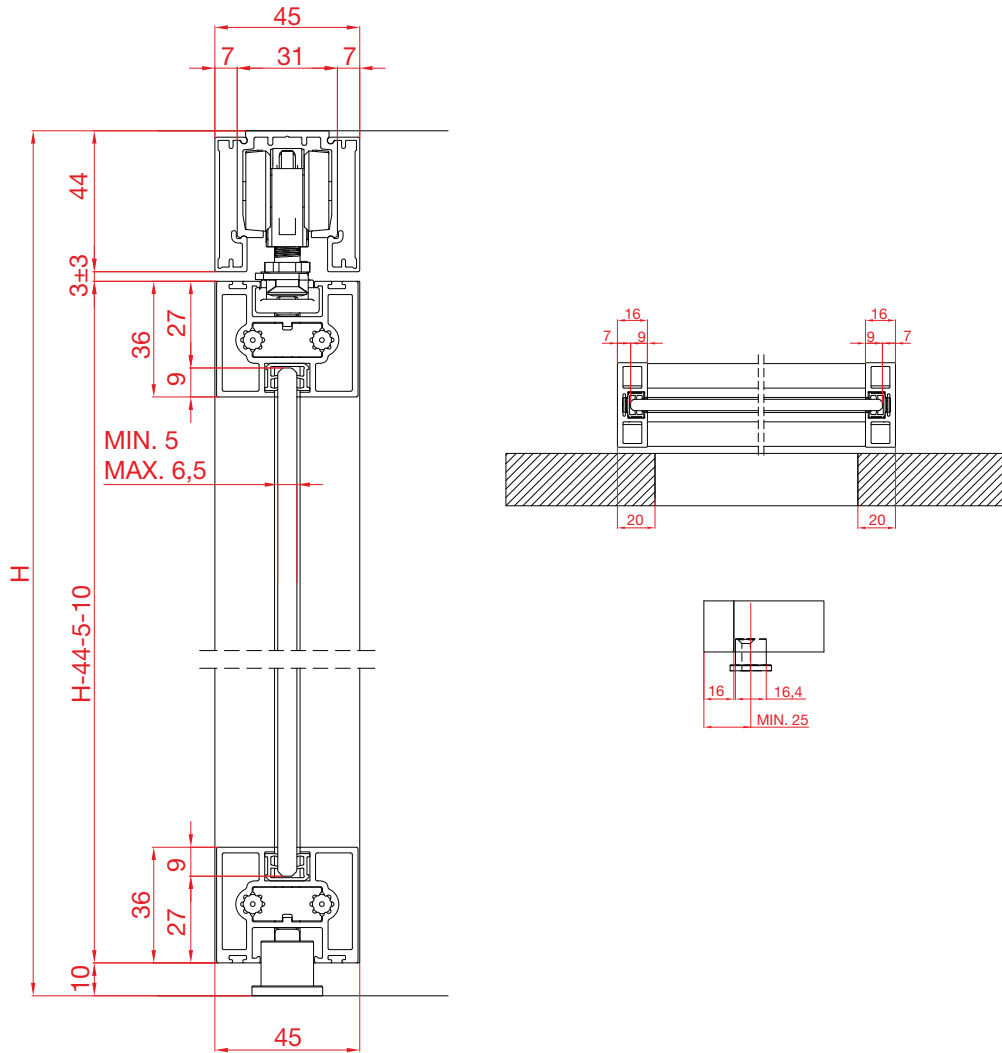
**COMPLETE DOOR AND TRACK SYSTEMS**

**MEASUREMENTS DESCRIPTION**

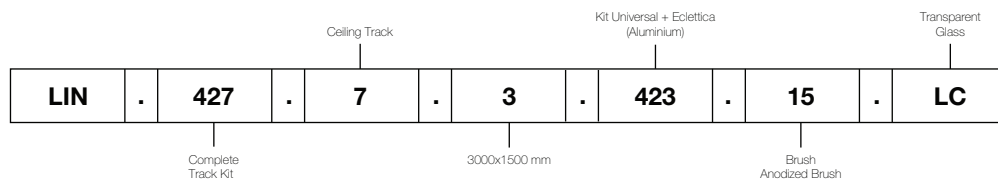
**ECLETTICA**

**TRACK CODE**

**0427.7.3.**



**EXAMPLE**



**Universal**

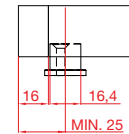
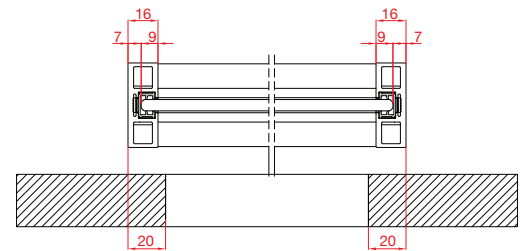
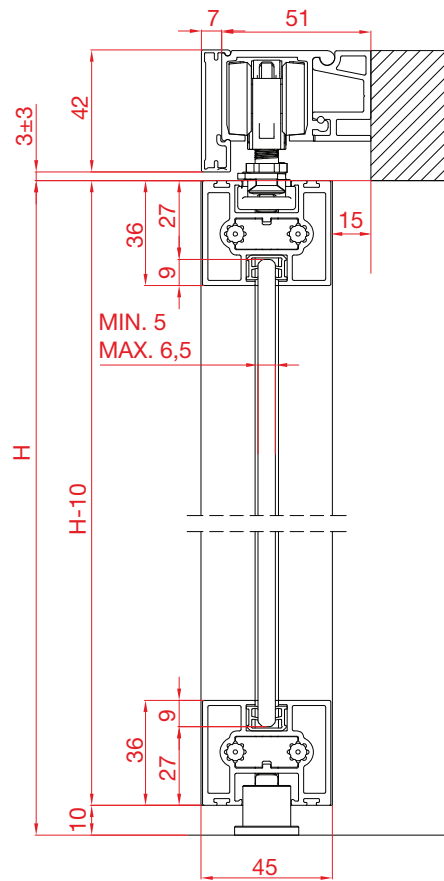
**COMPLETE DOOR AND TRACK SYSTEMS**

**MEASUREMENTS DESCRIPTION**

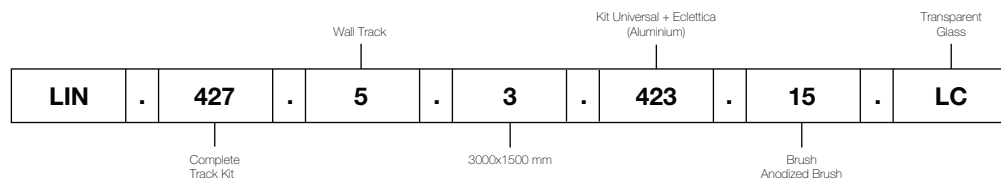
**ECLETTICA**

**TRACK CODE**

**0427.5.3.**



**EXAMPLE**





**Universal**

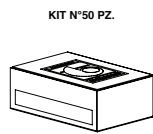
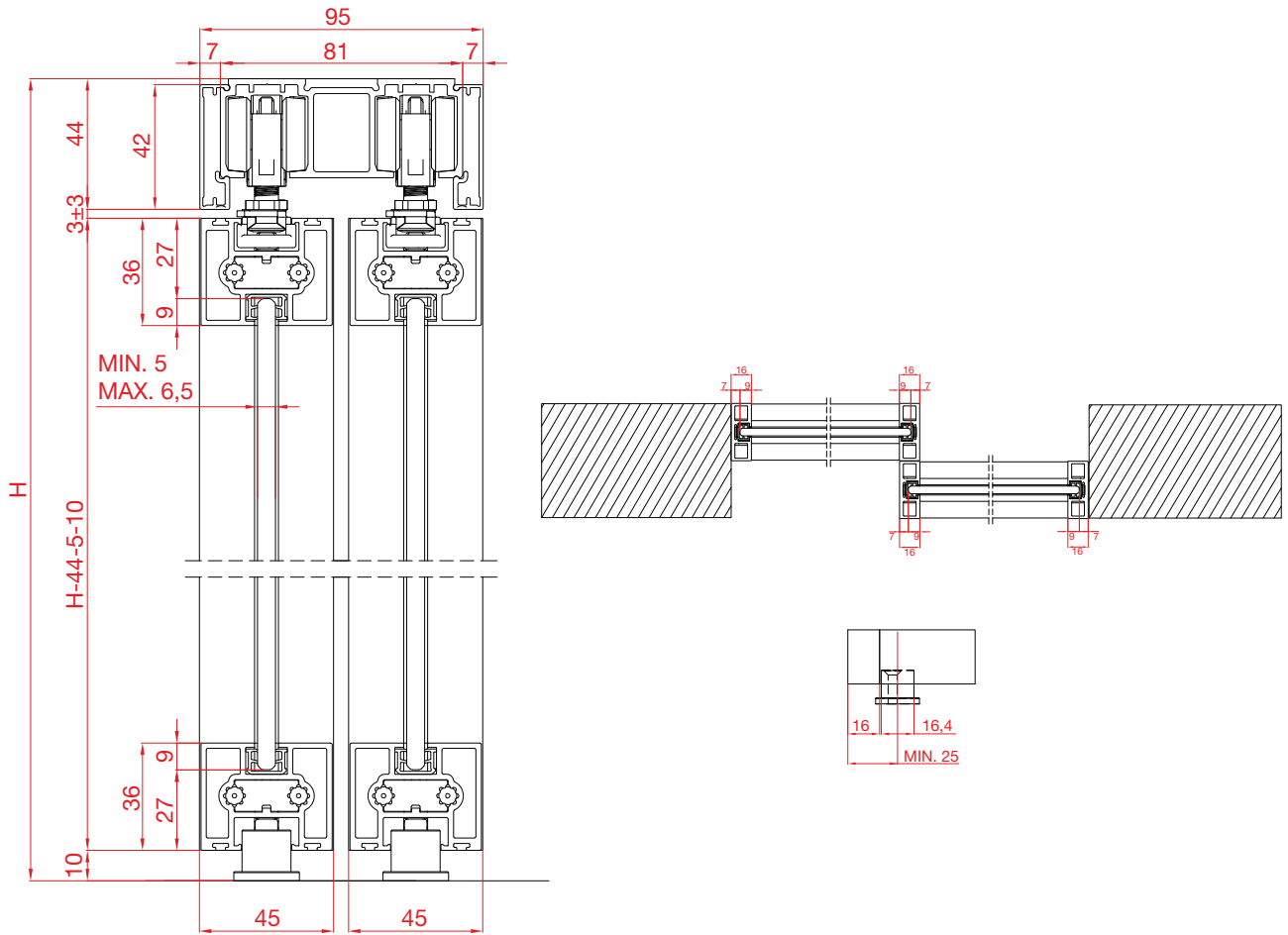
**COMPLETE DOOR AND TRACK SYSTEMS**

**MEASUREMENTS DESCRIPTION**

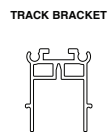
**ECLETTICA**

**TRACK CODE**

**0427.8.3.**



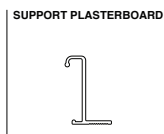
1  
ART. 2304/50



2  
ART. 2300



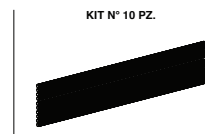
3  
ART. 1280



4  
ART. 2320

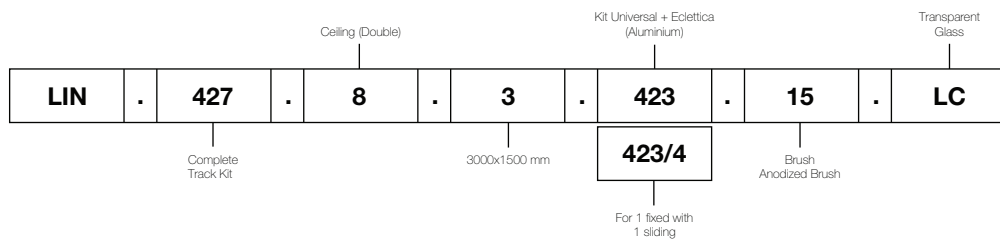


5  
ART. 2330



6  
ART. 2308/3/10

**EXAMPLE**



**Universal**

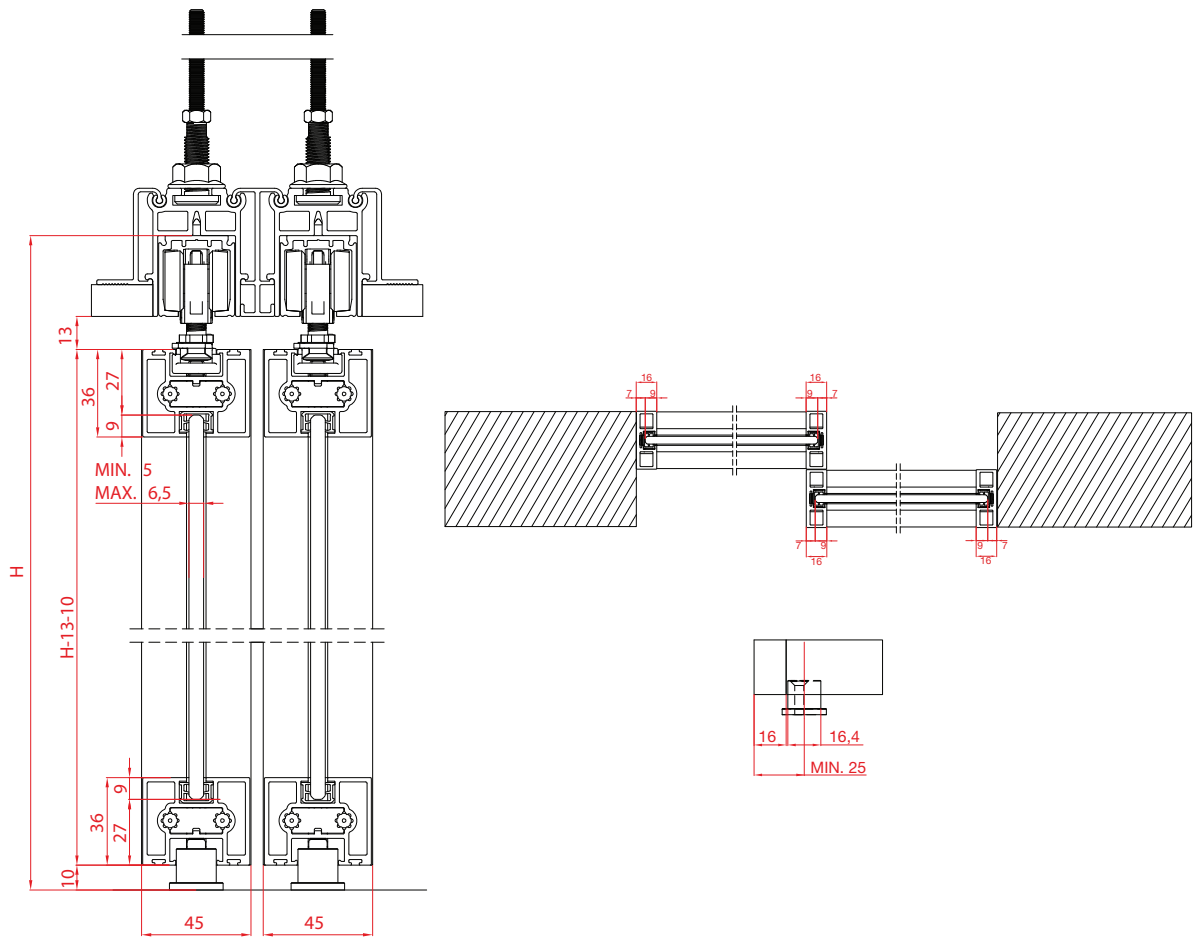
**COMPLETE DOOR AND TRACK SYSTEMS**



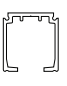

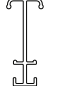

**MEASUREMENTS DESCRIPTION**

**ECKETICA**

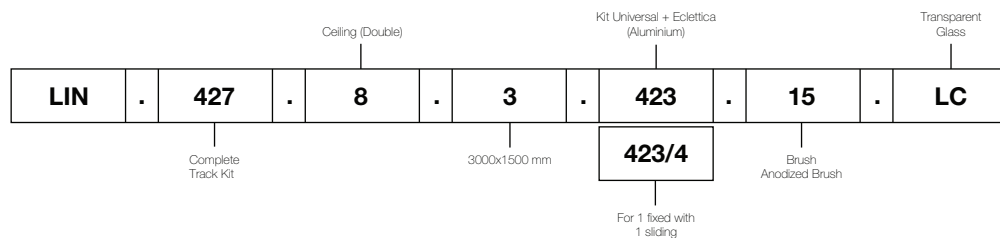
**TRACK CODE**

**0427.8.3.**



- |  |  |  |   |   |   |
|--|--|--|---|---|---|
| <p><b>KIT N°50 PZ.</b></p>  <p>1<br/>ART. 2304/50</p> | <p><b>TRACK BRACKET</b></p>  <p>2<br/>ART. 2300</p> | <p><b>TRACK</b></p>  <p>3<br/>ART. 1280</p> | <p><b>SUPPORT PLASTERBOARD</b></p>  <p>4<br/>ART. 2320</p> | <p><b>SPACER</b></p>  <p>5<br/>ART. 2330</p> | <p><b>KIT N° 10 PZ.</b></p>  <p>6<br/>ART. 2308/3/10</p> |
|--|--|--|---|---|---|

**EXAMPLE**





20 ALEX AVENUE  
WOODBIDGE, ON  
L4L 5X1

T: 905.265.0055 • F: 905.265.0035  
INFO@LINEARINTERIORSYSTEMS.COM  
WWW.LINEARINTERIORSYSTEMS.COM