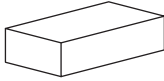

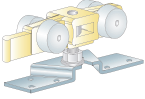
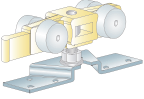
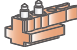


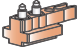
FOR DOORS MIN 700 MM/28" **KIT IN BOX** 


240SR 


Art.203/T



Art.203/T


Art.1163

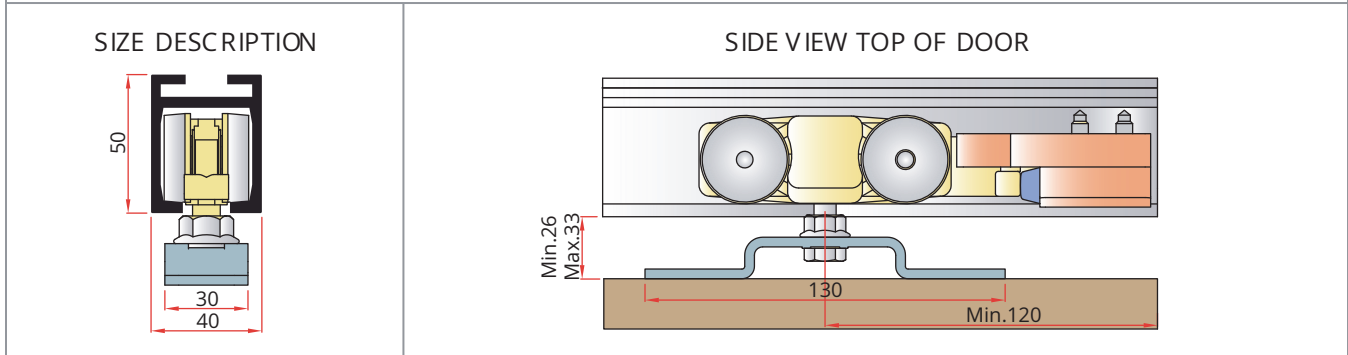

Art.1163


Art.124

STANDARD TRACKS

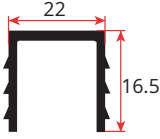


Art.201

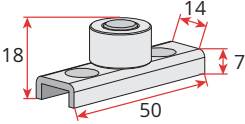


OPTIONALS

ART.1586
ALUMINUM GUIDE



ART.1587
ROLLER GUIDE



SPECIFICATION

STANDARD TRACK	TRACK LENGTH	SLIDING KIT	FOR BI PARTING	OPTIONAL KIT	OPTIONAL GUIDES
201	60"	240S R	2 DR	SIM OP	1586-1587
201	64"	240S R	2 DR	SIM OP	1586-1587
201	72"	240S R	2 DR	SIM OP	1586-1587
201	84"	240S R	2 DR	SIM OP	1586-1587
201	96"	240S R	2 DR	SIM OP	1586-1587
201	120"	240S R	2 DR	SIM OP	1586-1587