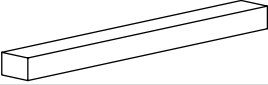
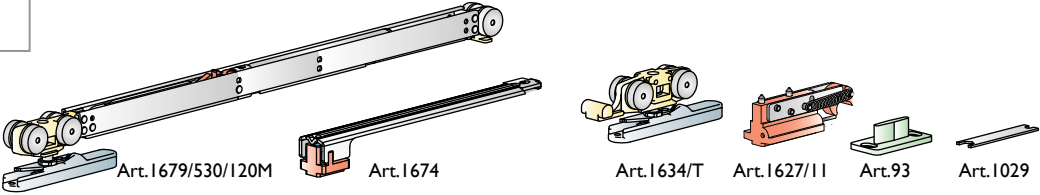



FOR DOORS MIN 700MM/28"

KIT IN BOX 

ET120AC

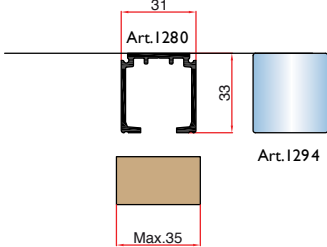


Art.1679/530/120M Art.1674 Art.1634/T Art.1627/11 Art.93 Art.1029

 120Kg

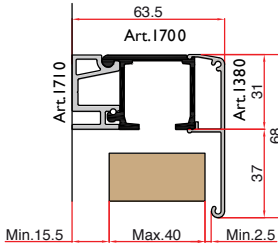
OPTIONAL TRACKS

ART.1280



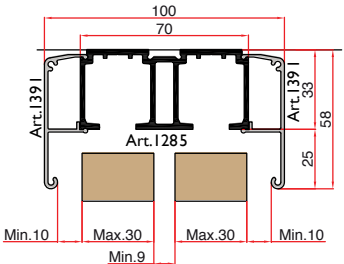
31
Art.1280
33
Art.1294
Max.35

ART.1700-10



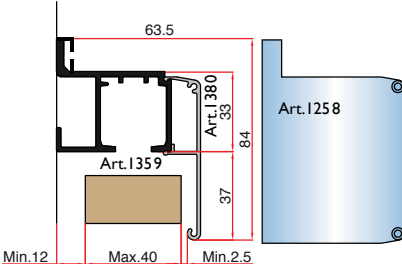
63.5
Art.1700
Art.1710
Art.1380
31
68
37
Min.15.5 Max.40 Min.2.5

ART.1285 FOR 1 3/8" DOORS



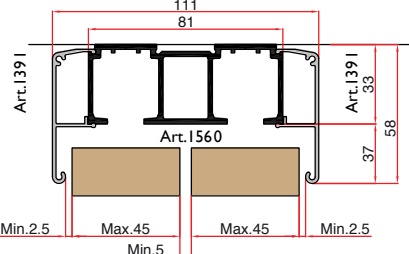
100
70
Art.1391
Art.1285
Art.1391
33
58
25
Min.10 Max.30 Max.30 Min.10
Min.9

ART.1259



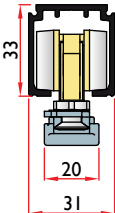
63.5
Art.1380
33
84
Art.1258
Art.1359
37
Min.12 Max.40 Min.2.5

ART.1560 FOR 1 3/4" DOORS



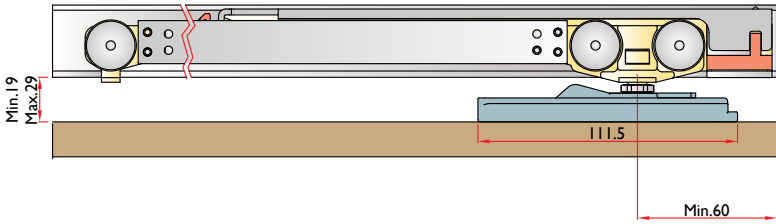
111
81
Art.1391
Art.1560
Art.1391
33
58
37
Min.2.5 Max.45 Max.45 Min.2.5
Min.5

SIZE DESCRIPTION



33
20
31

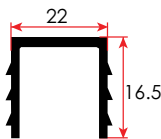
SIDE VIEW TOP OF DOOR



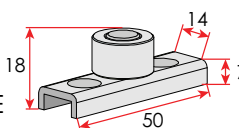
Min.19
Max.29
111.5
Min.60

OPTIONALS

ART.1586
ALUMINUM GUIDE



ART.1587
ROLLER GUIDE



ART.266
RUBBER COVER
FOR ART.1259



SPECIFICATION

STANDARD TRACK	OPTIONAL TRACKS				TRACK LENGTH	SLIDING KIT	FOR BI PARTING	OPTIONAL FASCIA	OPTIONAL GUIDES
1280	1259	1700-10	1285	1560	1525/60"	ET120AC	2 DR	1380/1391	1586-1587
1280	1259	1700-10	1285	1560	1625/64"	ET120AC	2 DR	1380/1391	1586-1587
1280	1259	1700-10	1285	1560	1830/72"	ET120AC	2 DR	1380/1391	1586-1587
1280	1259	1700-10	1285	1560	2135/84"	ET120AC	2 DR	1380/1391	1586-1587
1280	1259	1700-10	1285	1560	2440/96"	ET120AC	2 DR	1380/1391	1586-1587
1280	1259	1700-10	1285	1560	3050/120"	ET120AC	2 DR	1380/1391	1586-1587