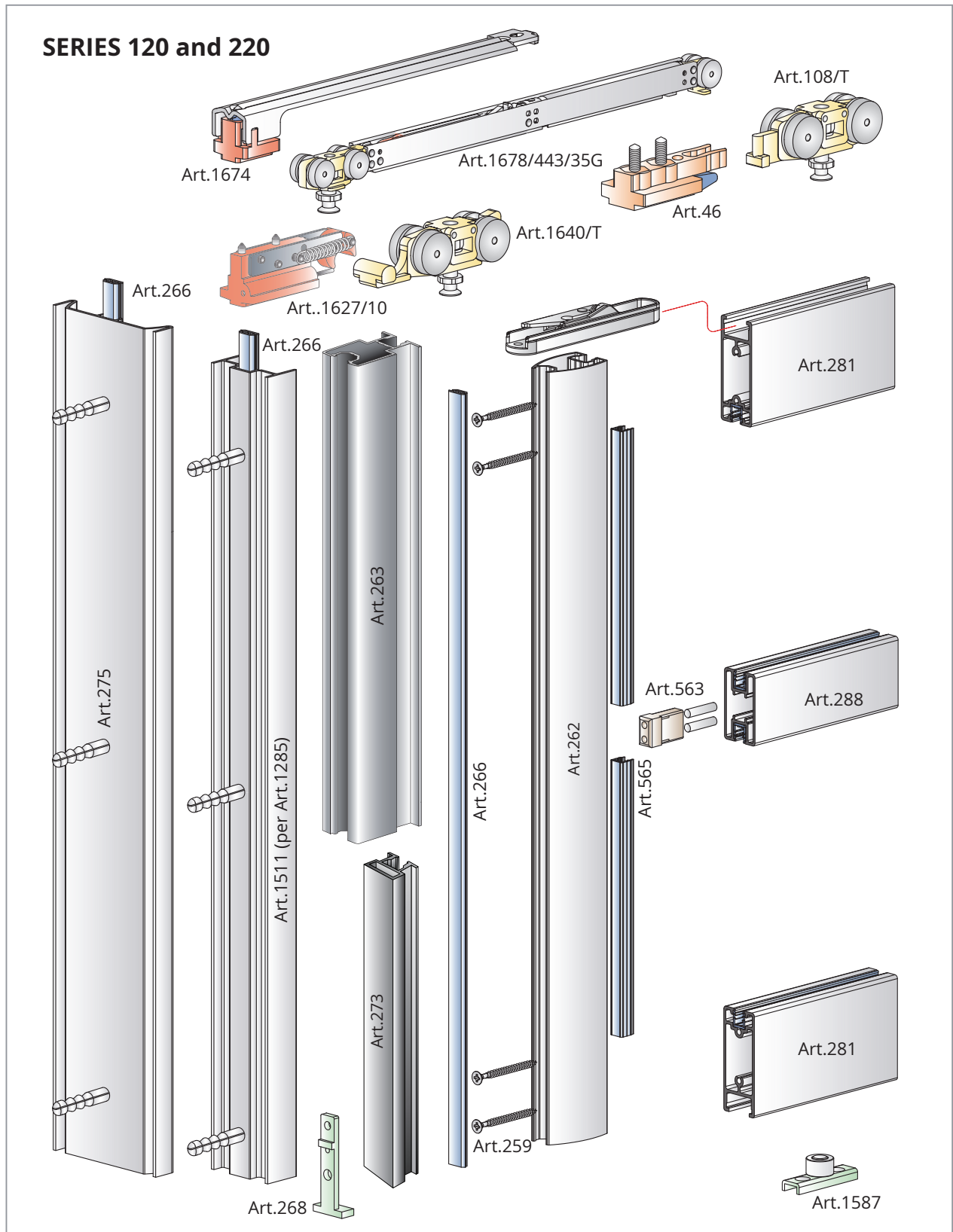


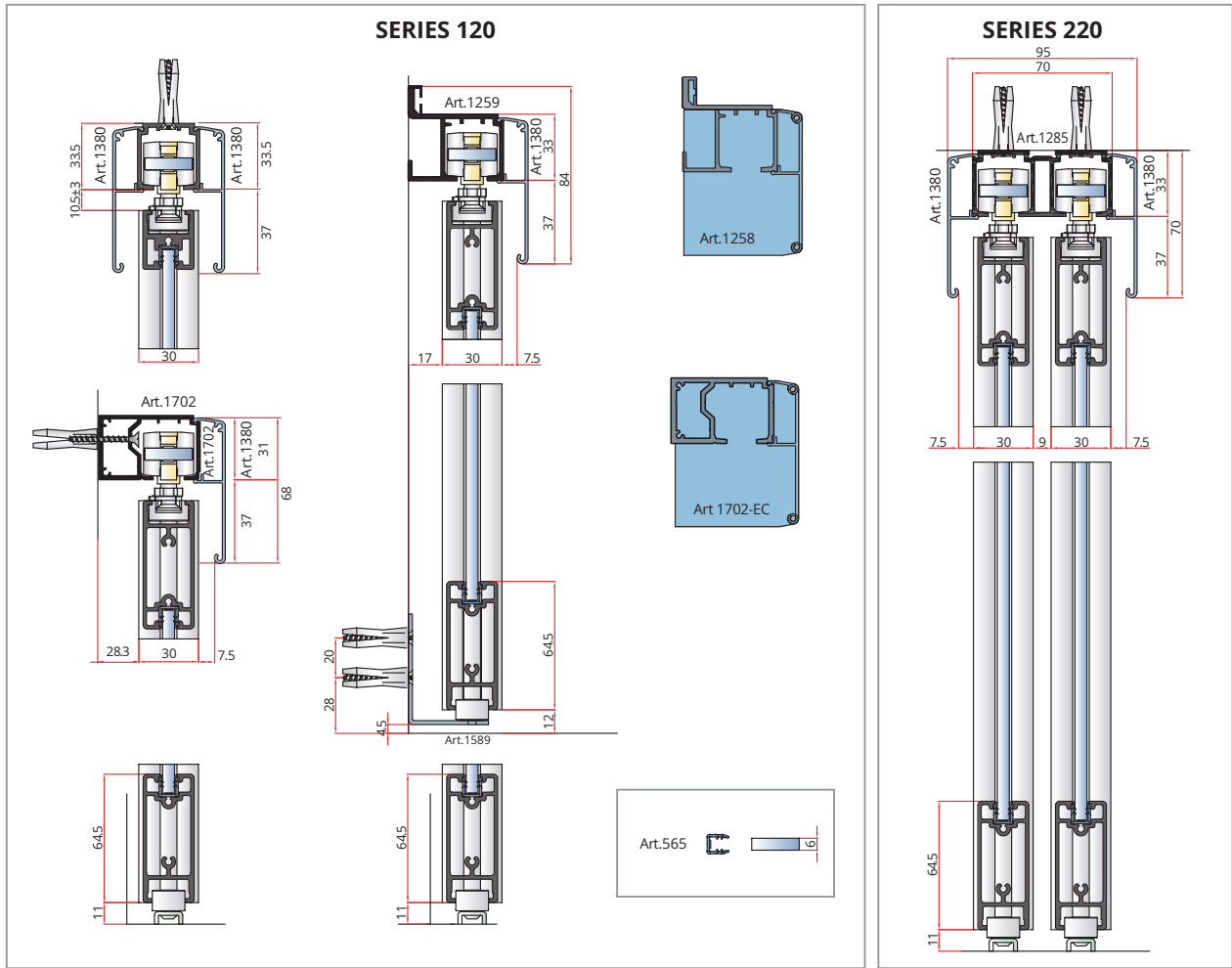


Aluminum Sliding Doors Series 120/220

Systems for sliding doors with aluminum frame

Accessories description





ART.108/T/120
70 KG./DOOR

Art.108, Art.1587, Art.259, Art.1029, Art.268, Art.46

ART.1640/T/120
70 KG./DOOR

Art.1640, Art.1587, Art.259, Art.1029, Art.268, Art.1627/10

ART.1678/1678/T/120 (MIN.930MM)
50 KG./DOOR

Art.1674, Art.1678/443/35G, Art.259, Art.1674, Art.1678/443/35G, Art.1029, Art.268, Art.1587

OPTIONAL TOP TRACKS

Art.1280, Art.1259, Art.1702, Art.1285

TOP & BOTTOM RAIL

Art.281, Art.181

OPTIONAL STYLES

Art.262, Art.263, Art.273

FASCIA

Art.1380

OPTIONAL

Art.266, Art.275, Art.1511 (per Art.1285), Art.1589, Art.563