



CORNER CONNECTION FOR GLASS PANELS

	DIMENSION (mm)		CODE
	6.5 x 10	HEIGHT	
		2400	HK55-LCA24
		2700	HK55-LCA27
	3000	HK55-LCA30	


- 1) 2 ways connection (corner) includes 1 PVC seal and two plastic caps.
- 2) It is used to connect 2 glass panels together at 90° from each other.

3 WAYS CONNECTION FOR GLASS PANELS

	DIMENSION (mm)		CODE
	6.5 x 10	HEIGHT	
		2400	HK55-TCA24
		2700	HK55-TCA27
	3000	HK55-TCA30	


- 1) 3 ways connection includes 1 PVC seal.
- 2) It is used to connect 3 glass panels together at 90° from each other.

4 WAYS CONNECTION FOR GLASS PANELS

	DIMENSION (mm)		CODE
	6.5 x 10	HEIGHT	
		2400	HK55-XCA24
		2700	HK55-XCA27
	3000	HK55-XCA30	

- 1) 4 ways connection includes 2 PVC seals.
- 2) It is used to connect 4 glass panels together at 90° from each other.

WALL STARTER FOR GLASS PANEL

	DIMENSION (mm)		CODE
	40 x 83	HEIGHT	
		2400	HK55-WSA24
		2700	HK55-WSA27
	3000	HK55-WSA30	

- 1) Wall starter includes 1 side PVC seal and 1 side pole.
- 2) It is used to partition start from the wall.

CORNER CONNECTION FOR SOLID PANELS

	DIMENSION (mm)		CODE
	55 x 55	HEIGHT	
		2400	HK55-LCB24
		2700	HK55-LCB27
3000	HK55-LCB30		

- 1) 2 ways connection includes 1 square pole and 2 covers.
- 2) It is used to connect 2 panels together at 90° from each other.

3 WAYS CONNECTION FOR SOLID PANELS

	DIMENSION (mm)		CODE
	55 x 55	HEIGHT	
		2400	HK55-TCB24
		2700	HK55-TCB27
3000	HK55-TCB30		

- 1) 3 ways connection includes 1 square pole and 1 cover.
- 2) It is used to connect 3 panels together at 90° from each other.

4 WAYS CONNECTION FOR SOLID PANELS

	DIMENSION (mm)		CODE
	55 x 55	HEIGHT	
		2400	HK55-XCB24
		2700	HK55-XCB27
3000	HK55-XCB30		

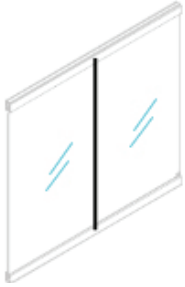
- 1) 4 ways connection includes 2 PVC seals.
- 2) It is used to connect 4 panels together at 90° from each other.

WALL STARTER FOR SOLID PANELS

	DIMENSION (mm)		CODE
	40 x 83	HEIGHT	
		2400	HK55-WSB24
		2700	HK55-WSB27
3000	HK55-WSB30		


- 1) Wall starter includes 1 side PVC seal and 1 side pole.
- 2) It is used to partition start from the wall.

GLASS-GLASS STRAIGHT CONNECTION

	DIMENSION (mm)		CODE
	6.5 x 10	HEIGHT	
		2400	HK55-SCA24
		2700	HK55-SCA27
	3000	HK55-SCA30	


- 1) straight connection includes 1 PVC seal.
- 2) It is used to connect 2 glass panels together at 180° from each other.

SOLID-SOLID STRAIGHT CONNECTION

	DIMENSION (mm)		CODE
	6.5 x 10	HEIGHT	
		2400	HK55-SCB24
		2700	HK55-SCB27
	3000	HK55-SCB30	

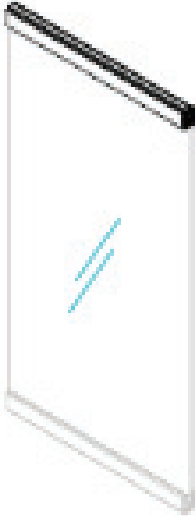
- 1) Straight connection includes 1 aluminum section.
- 2) It is used to connect 2 panels together at 180° from each other.

SOLID-GLASS STRAIGHT CONNECTION

	DIMENSION (mm)		CODE
	6.5 x 10	HEIGHT	
		2400	HK55-SCC24
		2700	HK55-SCC27
	3000	HK55-SCC30	

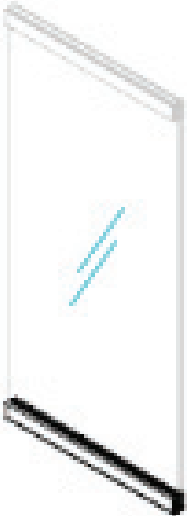
- 1) straight connection includes 1 aluminum section.
- 2) It is used to connect 2 panels together at 180° from each other.

CEILING CONNECTION FOR GLASS PANEL

	DIMENSION (mm)		CODE
	55 x 78	HEIGHT	
			300
		450	HK55-TLA04
		500	HK55-TLA05
		600	HK55-TLA06
		750	HK55-TLA07
		800	HK55-TLA08
		900	HK55-TLA09
		1000	HK55-TLA10
		1200	HK55-TLA12
		1500	HK55-TLA15
		1600	HK55-TLA16
		1800	HK55-TLA18
		2100	HK55-TLA21
		2400	HK55-TLA24
		2700	HK55-TLA27
		3600	HK55-TLA36
	6000	HK55-TLA60	

- 1) Ceiling connection includes 1 aluminum groove, 2 covers, 2 glass panel connections and 4 PVC seals.
- 2) It is used to connect partitions with the ceiling.

BOTTOM CONNECTION FOR GLASS PANEL

	DIMENSION (mm)		CODE
	55 x 78	HEIGHT	
			300
		450	HK55-DCA04
		500	HK55-DCA05
		600	HK55-DCA06
		750	HK55-DCA07
		800	HK55-DCA08
		900	HK55-DCA09
		1000	HK55-DCA10
		1200	HK55-DCA12
		1500	HK55-DCA15
		1600	HK55-DCA16
		1800	HK55-DCA18
		2100	HK55-DCA21
		2400	HK55-DCA24
		2700	HK55-DCA27
		3600	HK55-DCA36
	6000	HK55-DCA60	

- 1) Bottom connection includes 1 aluminum groove, 2 covers, 2 glass panel connections and 4 PVC seals.
- 2) It is used to connect partitions with the floor.

CEILING CONNECTION FOR SOLID PANEL

	DIMENSION (mm)		CODE
	55 x 78	HEIGHT	
		300	HK55-TLB03
		450	HK55-TLB04
		500	HK55-TLB05
		600	HK55-TLB06
		750	HK55-TLB07
		800	HK55-TLB08
		900	HK55-TLB09
		1000	HK55-TLB10
		1200	HK55-TLB12
		1500	HK55-TLB15
		1600	HK55-TLB16
		1800	HK55-TLB18
		2100	HK55-TLB21
		2400	HK55-TLB24
		2700	HK55-TLB27
		3600	HK55-TLB36
	6000	HK55-TLB60	

- 1) Ceiling connection includes 1 aluminum groove, 2 covers, 2 glass panel connections.
- 2) It is used to connect partitions with the ceiling.

BOTTOM CONNECTION FOR SOLID PANEL

	DIMENSION (mm)		CODE
	55 x 78	HEIGHT	
		300	HK55-DCB03
		450	HK55-DCB04
		500	HK55-DCB05
		600	HK55-DCB06
		750	HK55-DCB07
		800	HK55-DCB08
		900	HK55-DCB09
		1000	HK55-DCB10
		1200	HK55-DCB12
		1500	HK55-DCB15
		1600	HK55-DCB16
		1800	HK55-DCB18
		2100	HK55-DCB21
		2400	HK55-DCB24
		2700	HK55-DCB27
		3600	HK55-DCB36
	6000	HK55-DCB60	

- 1) Bottom connection includes 1 aluminum groove, 2 covers, 2 glass panel connections.
- 2) It is used to connect partitions with the floor.