

## NOVARA-NVBPSS



### Features:

- ▶ 6mm tempered glass
- ▶ Comes with 40mm (1 1/2") adjustment
- ▶ Concealed screw mounting
- ▶ All aluminum construction
- ▶ Factory inspected quality anodizing
- ▶ Fast fit installation
- ▶ Reversible for left or right entry
- ▶ Lifetime mechanical and finish warranty

All models come with standard clear glass. For all other glass available by Special Order add abbreviation after specification code.

### Finishes:

BRIGHT SILVER  
BS



SATIN BLACK  
SB



FROSTED GLASS  
FG



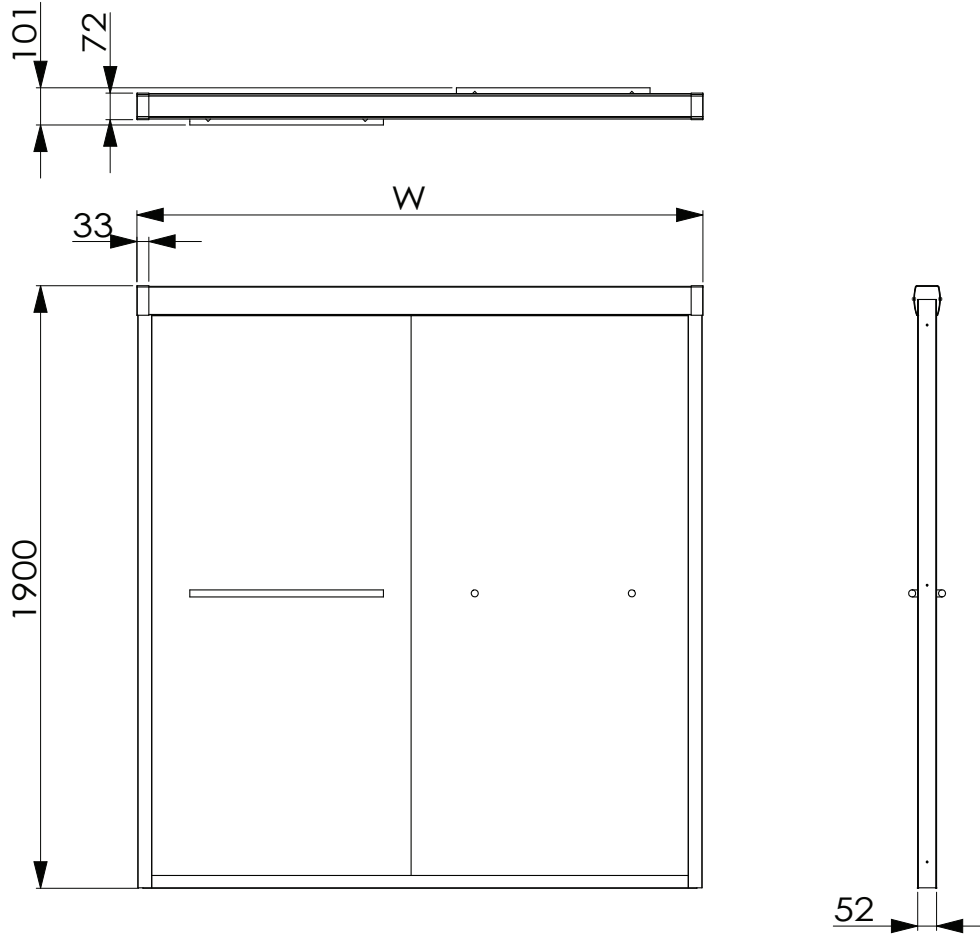
OBSCURE GLASS  
OG



EASY CLEAN GLASS  
EC



**NOVARA-NVBPTS**



**NOVARA-NVBPTS INLINE SPECIFICATIONS:**

WALL TO WALL OPENING SIZE	ADJUSTABLE	HEIGHT	SPEC CODE BRIGHT SILVER BS	SPEC CODE SATIN BLACK SB
60" 1524mm	59 1/2" - 61" 1510mm - 1550mm	75" 1900mm	NVBPSS-60-BS	NVBPSS-60-SB