

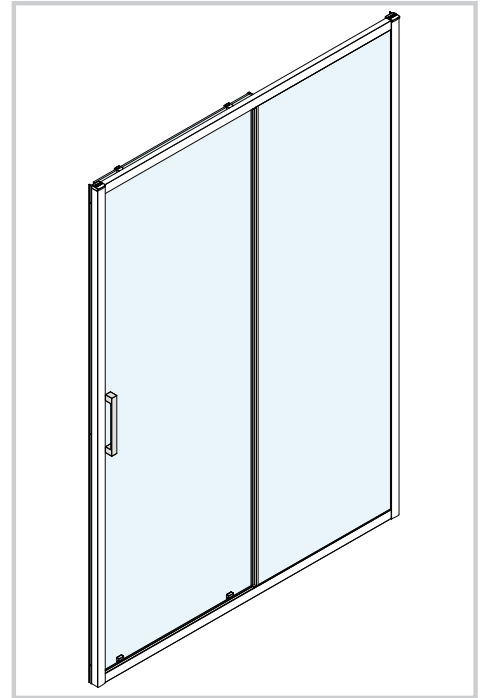


## MILANO-MLSD

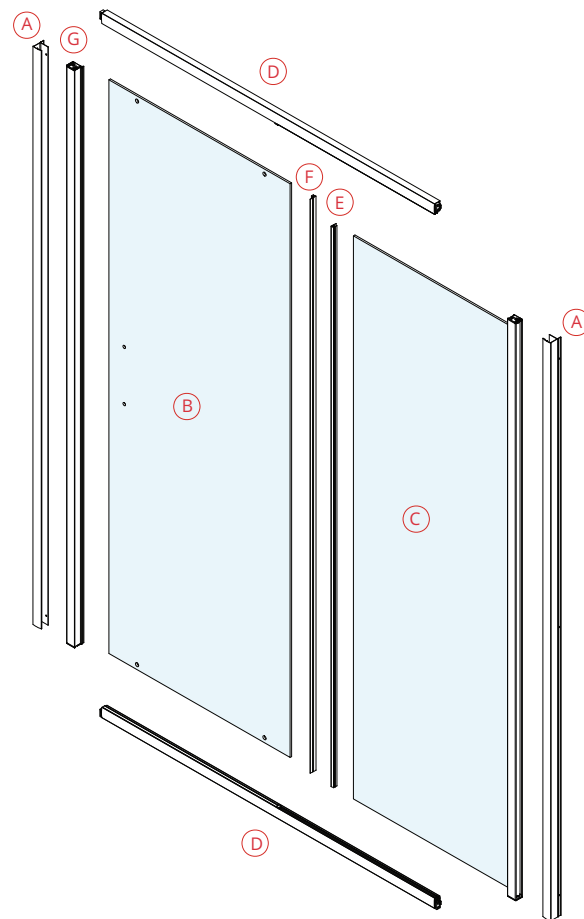
Installation Instructions

# MLSD Installation Instructions

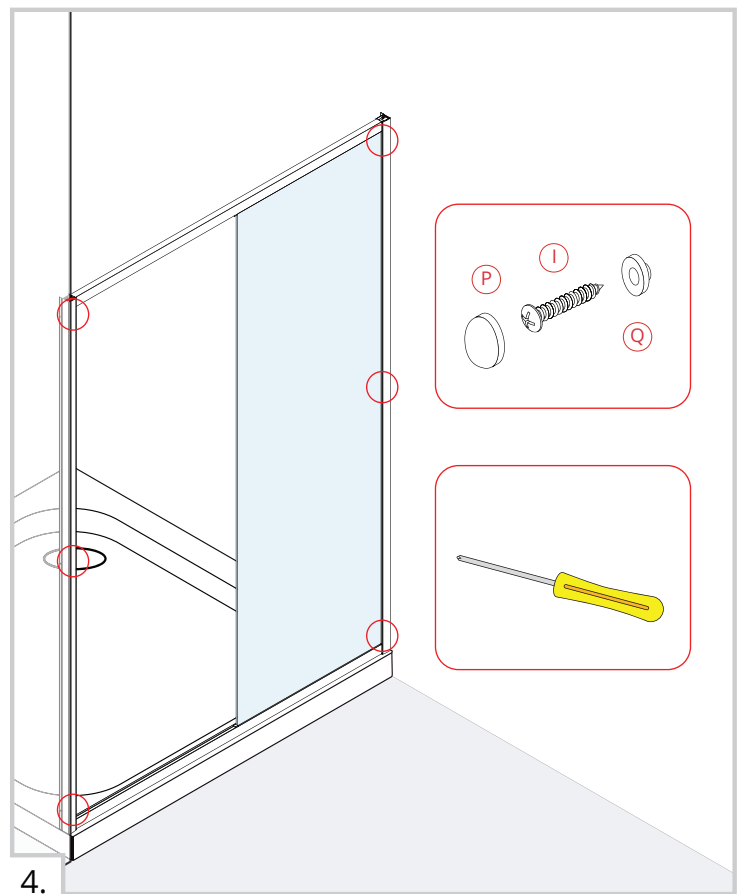
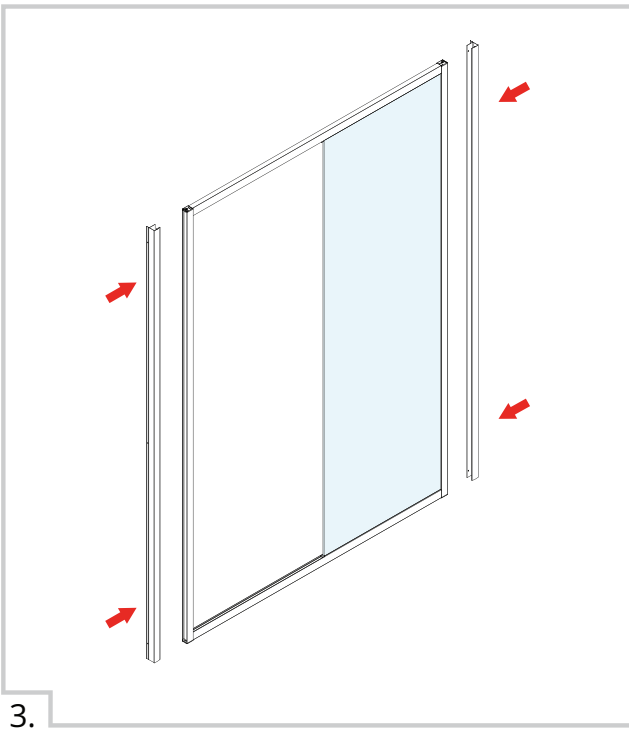
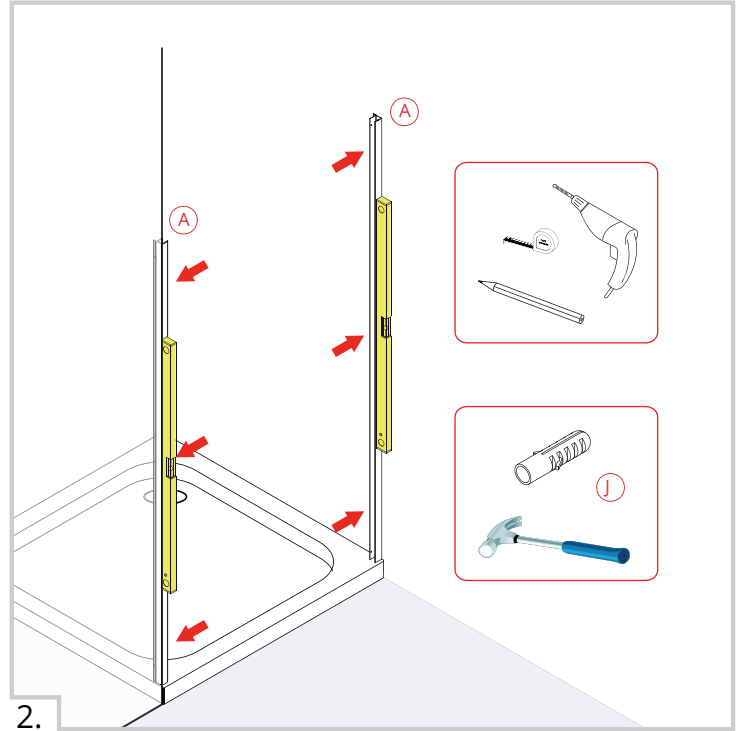
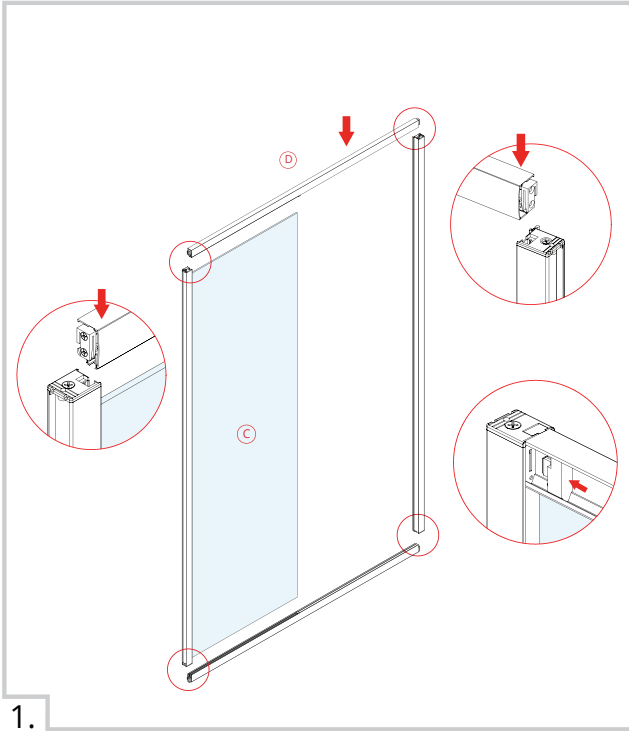
If you install the product in a way that differs from this manual this will void all warranty. Before installation check that the product meets all your requirements and is not damaged. By proceeding with installation, you accept the condition of the product.

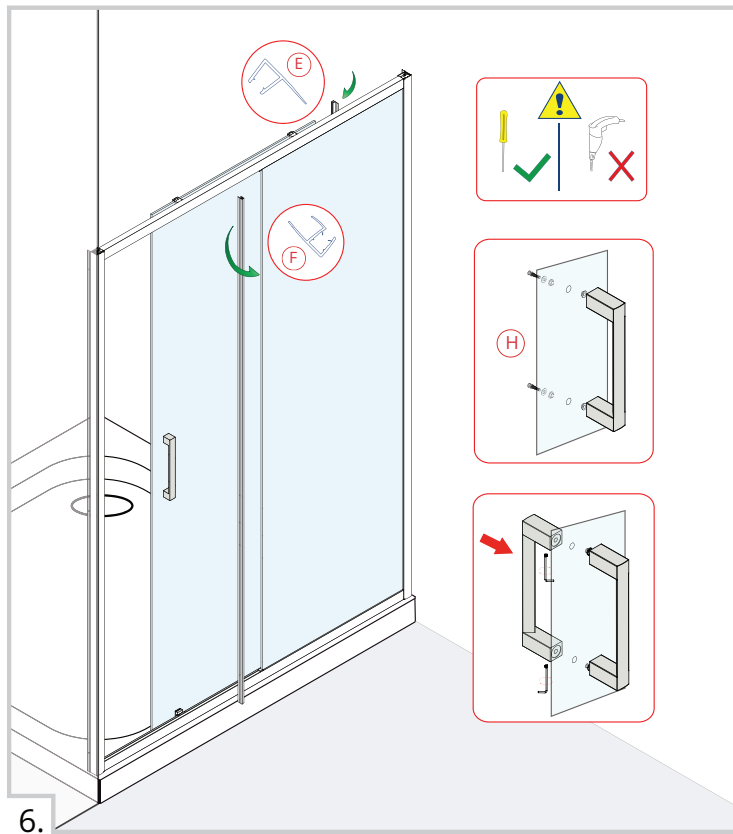
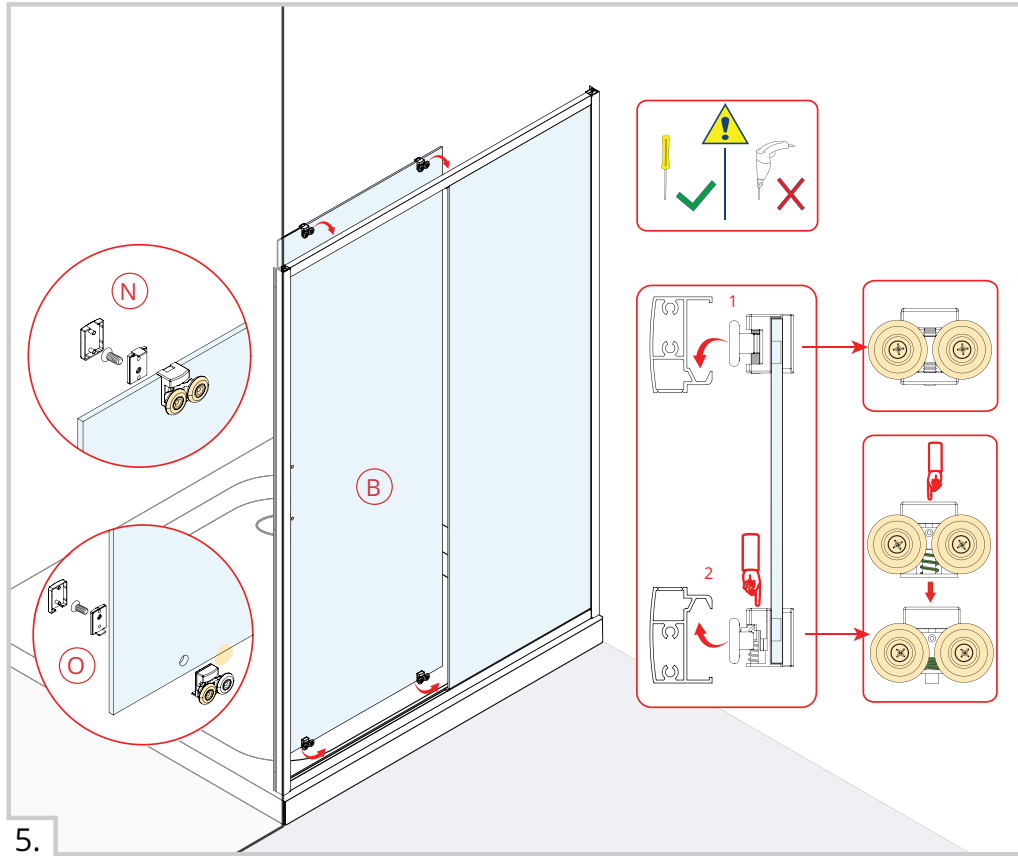


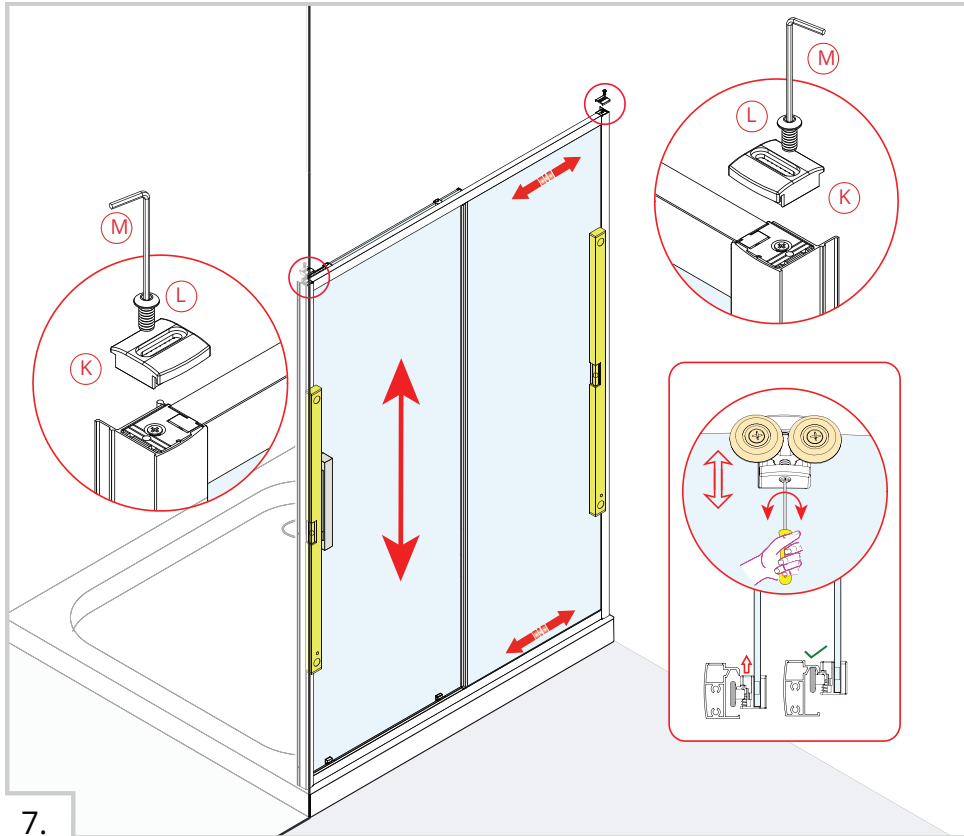
| ITEM |  | Quant.   |
|------|--|----------|
| (H)  |  | 1 Pc     |
| (I)  |  | 6 Pc     |
| (J)  |  | 6 Pc     |
| (K)  |  | 1L+1R Pc |
| (L)  |  | 2 Pc     |
| (M)  |  | 1 Pc     |
| (N)  |  | 2 Pc     |
| (O)  |  | 2Pc      |
| (P)  |  | 6 Pc     |
| (Q)  |  | 6 Pc     |



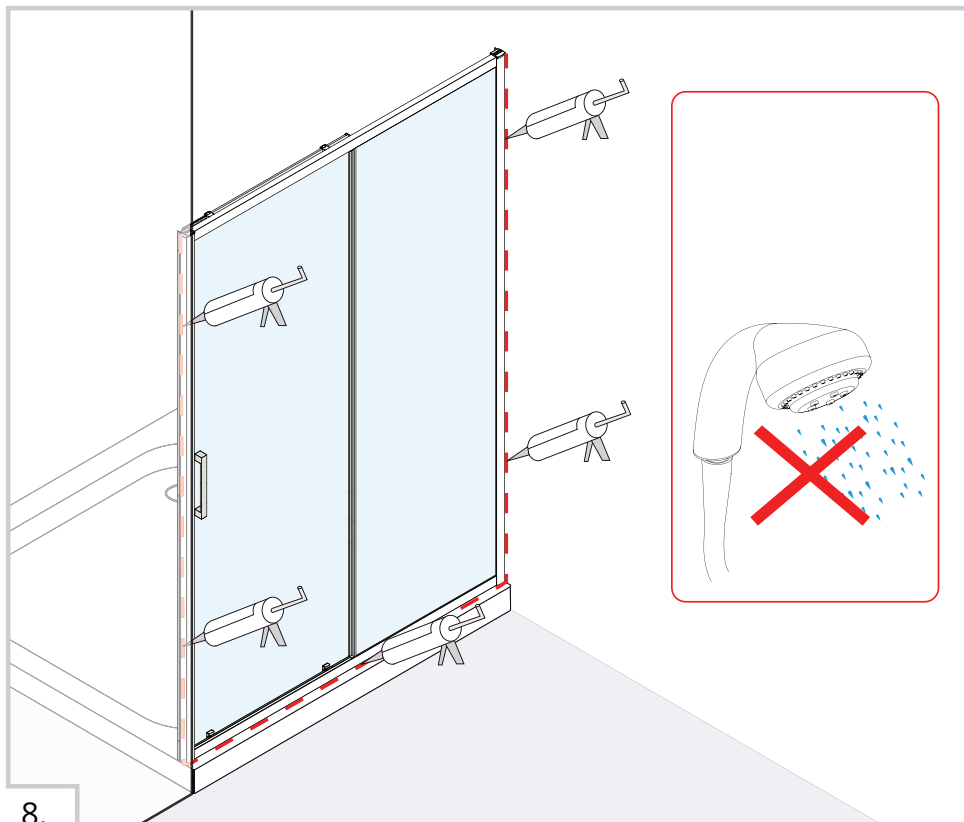
## Parts List







7.



8.

**LIFETIME MECHANICAL AND FINISH WARRANTY**

The product is warranted to be free from finish, mechanical and workmanship defects for the life of the product. Linear Interior Systems Inc. will replace any Linear SHOWER DOOR which fails to meet this warranty. Any finish deterioration from use of paints, solvents or chemicals is not a defect and therefore not covered by this warranty. Linear will not be liable for any incidental damages. In the event that your Linear SHOWER DOOR does not meet the warranted quality, return the product with proof of purchase to the dealer you purchased it from.