

SOLVIG SG35



Features:

- ▶ 45 degree latch retraction
- ▶ Heavy duty spring loaded reversible latch
- ▶ Push button auto release with privacy function
- ▶ Concealed screw mounting
- ▶ All metal construction
- ▶ Fits all standard 2 1/8" hole prepped doors
- ▶ Premium quality finishing
- ▶ Available in 2 3/8" and 2 3/4" backset
- ▶ 20 minute fire rating available
- ▶ Can be used with 1 3/8" and 1 3/4" thick doors
- ▶ Lifetime mechanical and finish warranty

Finishes:

POLISHED CHROME
PC



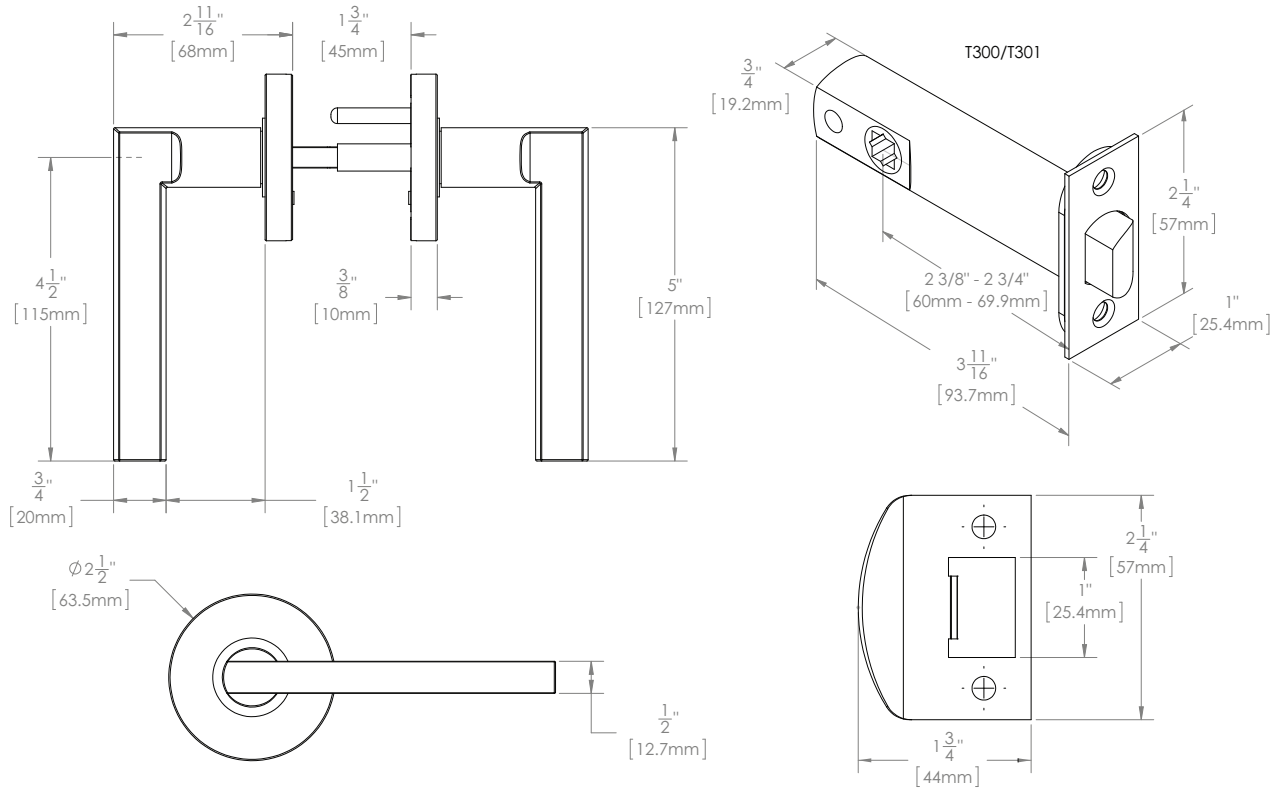
SATIN CHROME
SC



SATIN NICKEL
SN



SOLVIG SG35



SOLVIG LEVERSET SPECIFICATIONS:

FUNCTION	BACKSET	POLISHED CHROME PC	SATIN CHROME SC	SATIN NICKEL SN
PASSAGE	2 3/8" BS	SG35R21-T300-PC	SG35R21-T300-SC	SG35R21-T300-SN
PASSAGE	2 3/4" BS	SG35R21-T301-PC	SG35R21-T301-SC	SG35R21-T301-SN
PRIVACY	2 3/8" BS	SG35R21-T340-PC	SG35R21-T340-SC	SG35R21-T340-SN
PRIVACY	2 3/4" BS	SG35R21-T341-PC	SG35R21-T341-SC	SG35R21-T341-SN
DBLD		SG35R21-D390-PC	SG35R21-D390-SC	SG35R21-D390-SN
SGLD		SG35R21-D385-PC	SG35R21-D385-SC	SG35R21-D385-SN