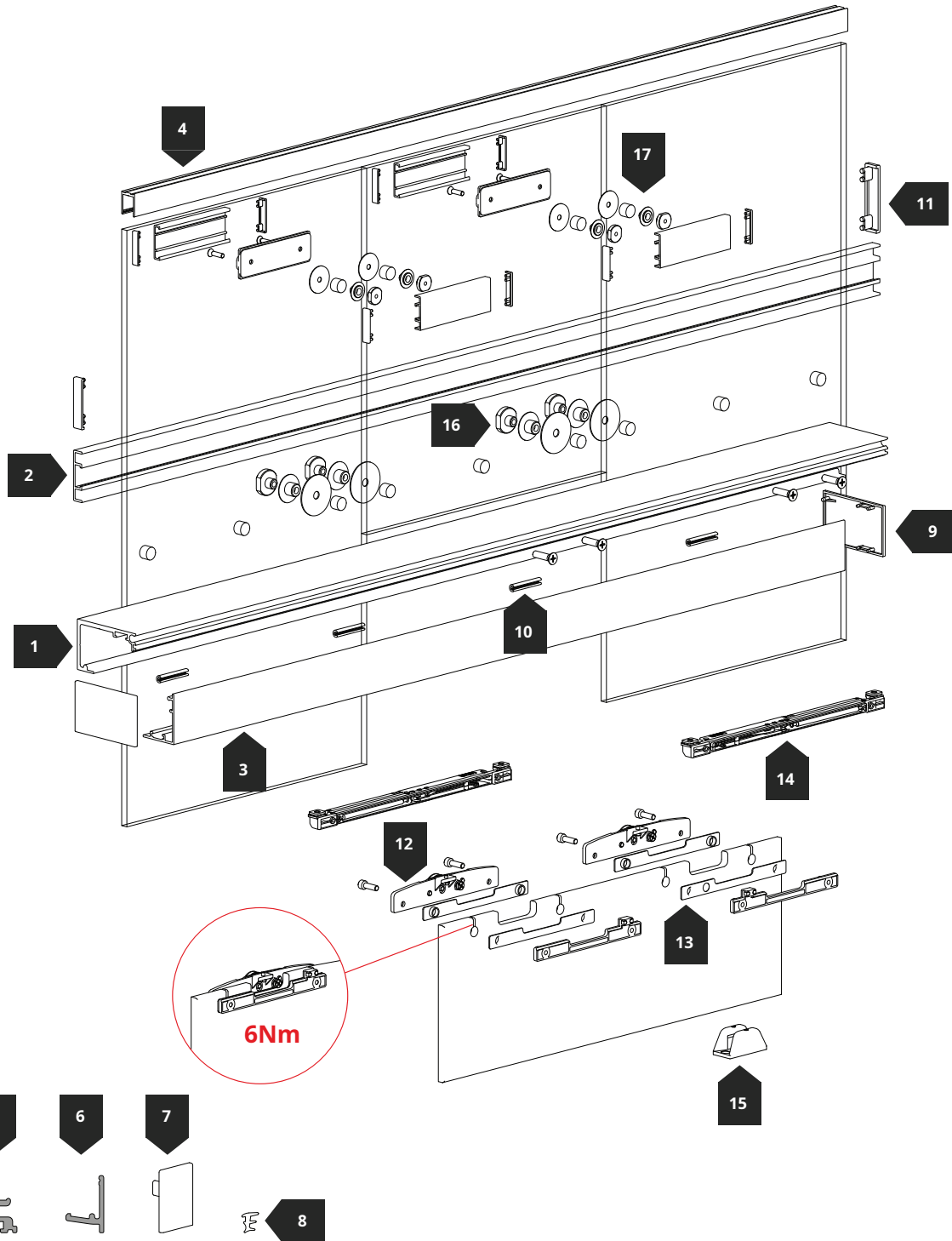
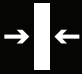







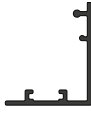


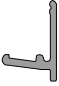
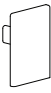


Micro40Fix

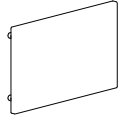
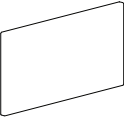
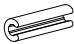

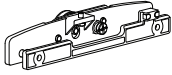




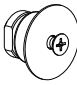
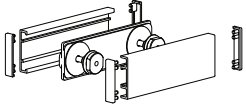
Concealed slides integrated into profiles with reduced dimensions




 8 mm ÷ 10.7 mm


 60 Kg

#	Barcode		KG	
1	2600		60	
2	2615		60	
3	2610		60	
4	2630		60	
5	1774		60	
6	1776		60	
7	1794		60	
8	328		60	For glass 8-8.7 mm (5/16")
	326		60	For glass 10-10.7 mm (3/8")

#	Barcode		KG	
9	2612		60	
	2622		60	
10	1222		60	
11	2618		60	
12	2602		60	
13	2606/8		60	For glass 8-8.7 mm (5/16")
	2606/10		60	For glass 10-10.7 mm (3/8")
14	2604		60	
15	1488		60	
16	2628		60	
17	2608		60	

CODE	KIT			
2602/2604				

ALUMINIUM TRACKS		
ART. 2600	ART. 2615	ART. 2610

ACCESSORIES				
ART. 1774	ART. 1776	ART. 2630	ART. 328 (8/8,7mm - 5/16")	ART. 326 (10/10,7 mm - 3/8")

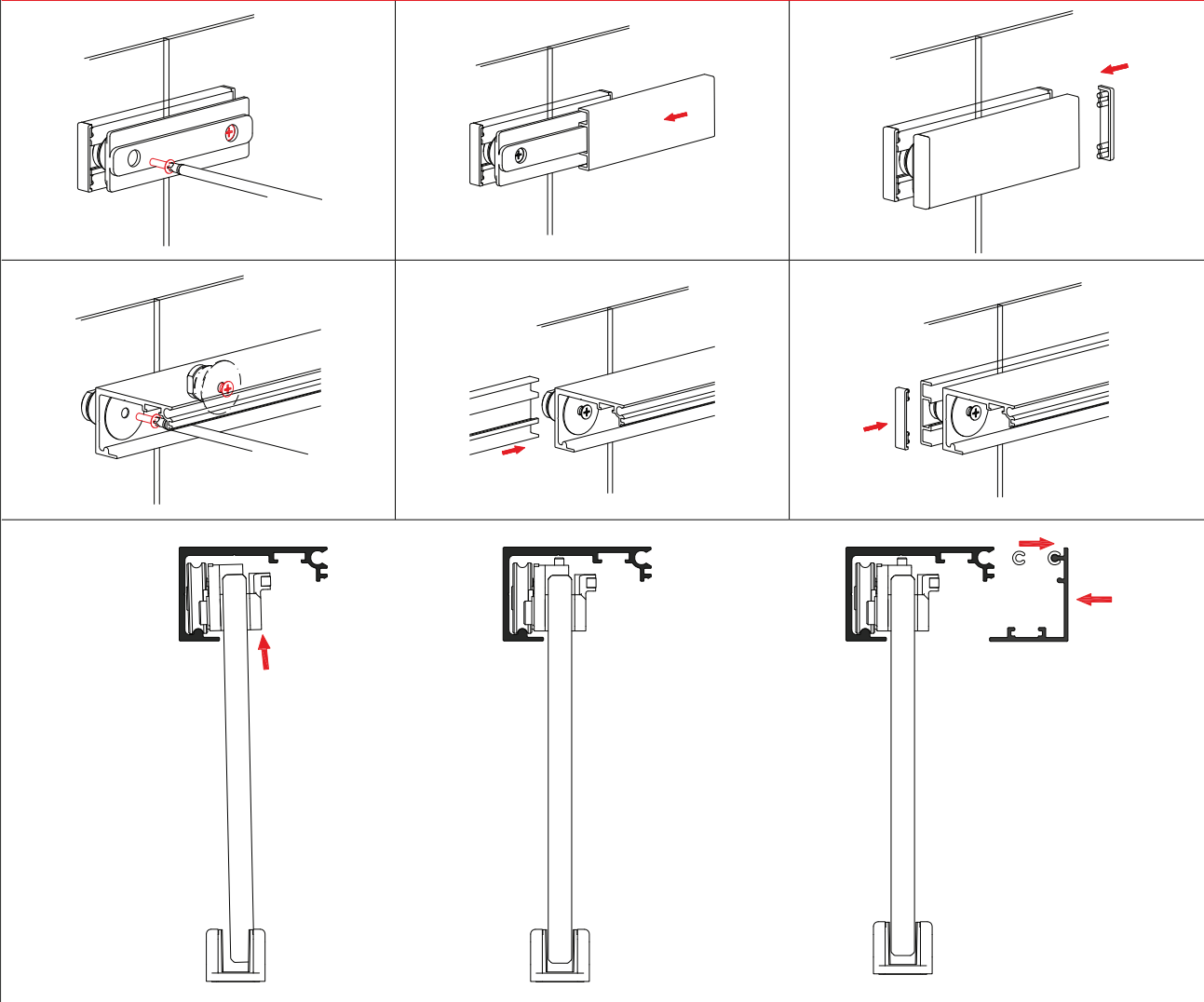
SIZE DESCRIPTION

ART. 2612

FIXED GLASS MILLING

GLASS DOOR MILLING

EASY TO MOUNTING



FOR FIXED GLASS, PLEASE LOOK AT PAGE 17

	ART. 1773	ART. 1775	ART. 1776	ART. 1794	ART. 328 (8/8.7mm - 5/16")	ART. 326 10/10.7 mm - 3/8")
	ART. 1777	ART. 1779		ART. 1778		