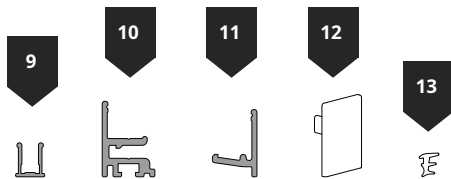
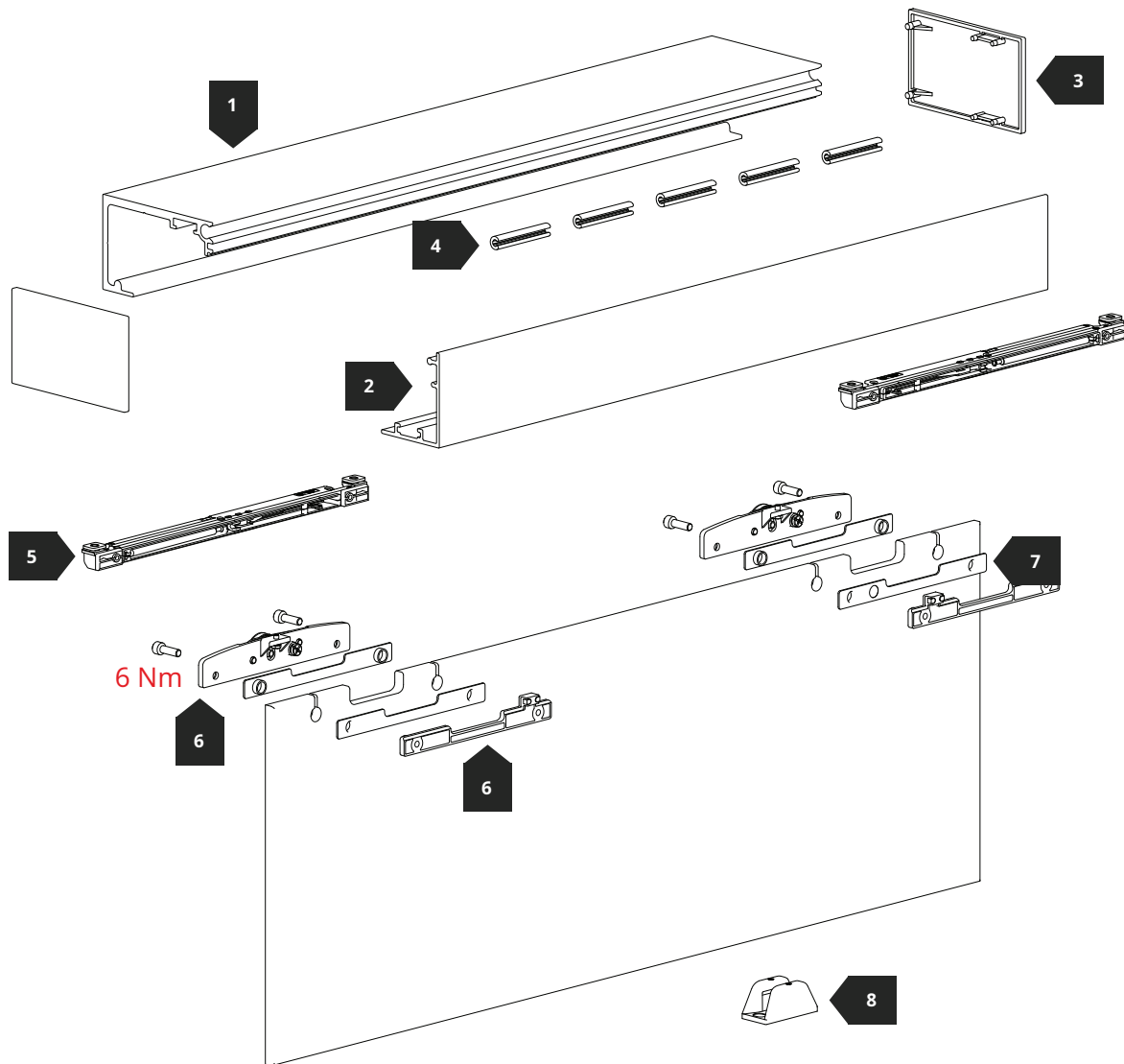




NEW

## Micro40


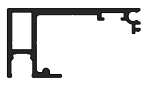
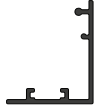
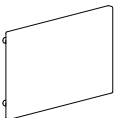
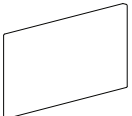
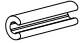
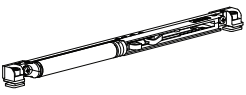
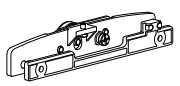


Concealed slides integrated into profiles with reduced dimensions






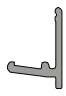
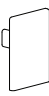




8 mm ÷ 10.7 mm



60 Kg

#	Barcode		KG	
1	2600		60	
	2620		60	
2	2610		60	
3	2612		60	
	2622		60	
4	1222		60	
5	2604		60	
6	2602		60	
7	2606/8		60	For glass 8-8.7 mm (5/16")
	2606/10		60	For glass 10-10.7 mm (3/8")

#	Barcode		KG	
8	1488		60	For glass 8-8.7 mm (5/16") 10-10.7 mm (3/8")
	1489/8		60	For glass 8-8.7 mm (5/16") <b>OPTIONAL</b>
	1489/10		60	For glass 10-10.7 mm (3/8") <b>OPTIONAL</b>
9	2630		60	
10	1774		60	
11	1776		60	
12	1794		60	
13	328		60	For glass 8-8.7 mm (5/16")
	326		60	For glass 10-10.7 mm (3/8")

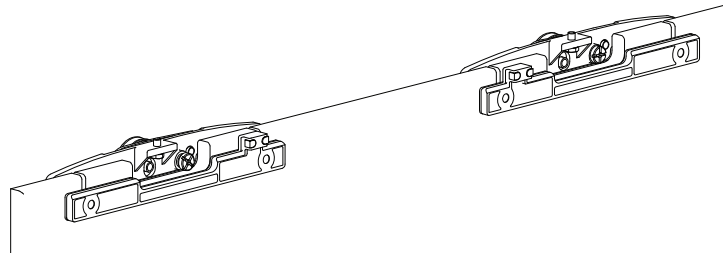
CODE	KIT
<b>2602/2604</b>	

ALUMINIUM TRACKS		
ART. 2600	ART. 2620	ART. 2610

ACCESSORIES				
ART. 1774	ART. 1776	ART. 2630	ART. 328 (8/8.7mm - 5/16")	ART. 326 (10/10.7 mm - 3/8")

SIZE DESCRIPTION	
ART. 2612	ART. 2622

**MILLING**



**EASY TO MOUNT**

