

MUNICH MH32



Features:

- ▶ 45 degree latch retraction
- ▶ Heavy duty spring loaded reversible latch
- ▶ Push button auto release with privacy function
- ▶ Concealed screw mounting
- ▶ All metal construction
- ▶ Fits all standard 2 1/8" hole prepped doors
- ▶ Premium quality finishing
- ▶ Available in 2 3/8" and 2 3/4" backset
- ▶ 20 minute fire rating available
- ▶ Can be used with 1 3/8" and 1 3/4" thick doors
- ▶ Lifetime mechanical and finish warranty

Finishes:

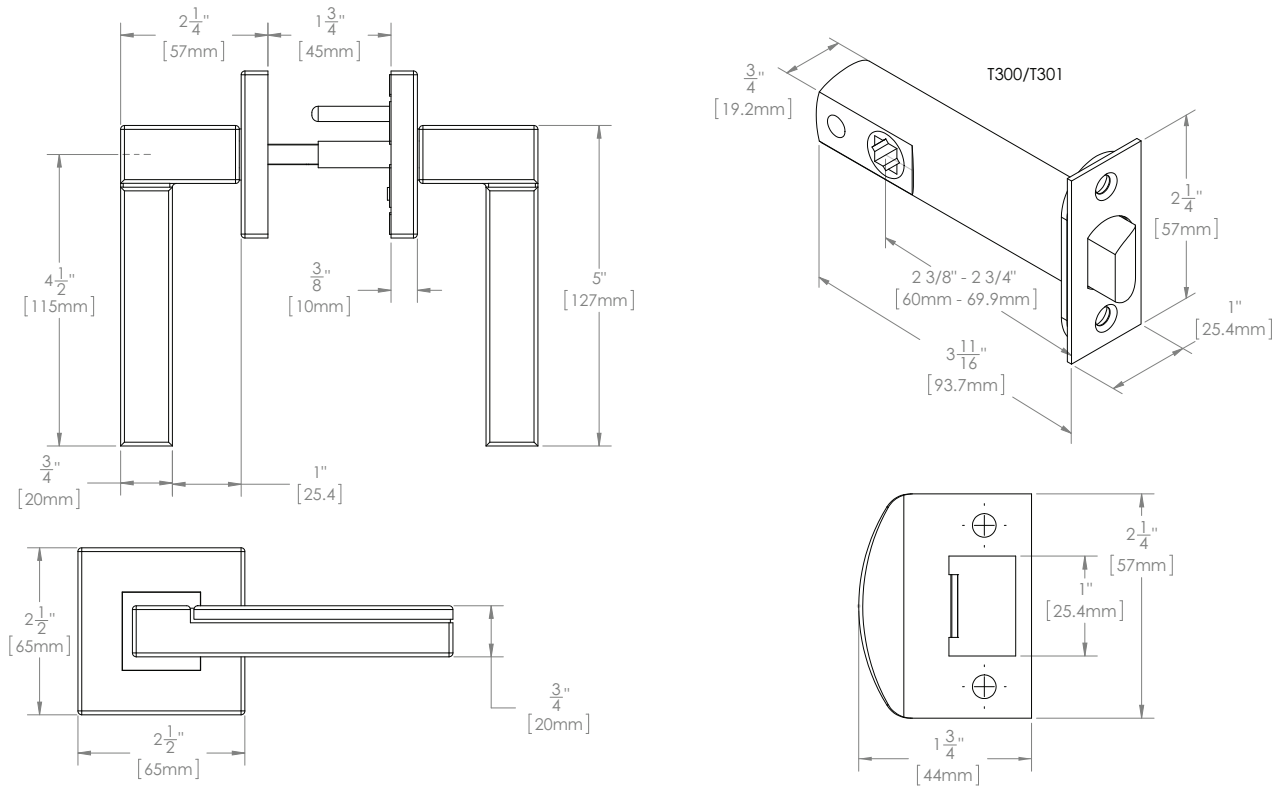
SATIN CHROME
POLISHED CHROME
SC/PC



SATIN NICKEL
POLISHED NICKEL
SN/PN



MUNICH MH32



MUNICH LEVERSET SPECIFICATIONS:

FUNCTION	BACKSET	SATIN CHROME/ POLISHED CHROME SC/PC	SATIN NICKEL/ POLISHED NICKEL SN/PN
PASSAGE	2 3/8" BS	MH32R20-T300-SC/PC	MH32R20-T300-SN/PN
PASSAGE	2 3/4" BS	MH32R20-T301-SC/PC	MH32R20-T301-SN/PN
PRIVACY	2 3/8" BS	MH32R20-T340-SC/PC	MH32R20-T340-SN/PN
PRIVACY	2 3/4" BS	MH32R20-T341-SC/PC	MH32R20-T341-SN/PN
DBLD		MH32R20-D390-SC/PC	MH32R20-D390-SN/PN
SGLD		MH32R20-D385-SC/PC	MH32R20-D385-SN/PN