

**MUNICH MH32**



**Features:**

- ▶ 28 degree latch retraction
- ▶ Heavy duty spring loaded reversible latch
- ▶ Concealed screw mounting
- ▶ All metal construction
- ▶ Fits all standard 2 1/8" hole prepped doors
- ▶ Premium quality finishing
- ▶ Available in 2 3/8" and 2 3/4" backset
- ▶ 20 minute fire rating available
- ▶ Can be used with 1 3/8" and 1 3/4" thick doors
- ▶ Lifetime mechanical and finish warranty

**Finishes:**

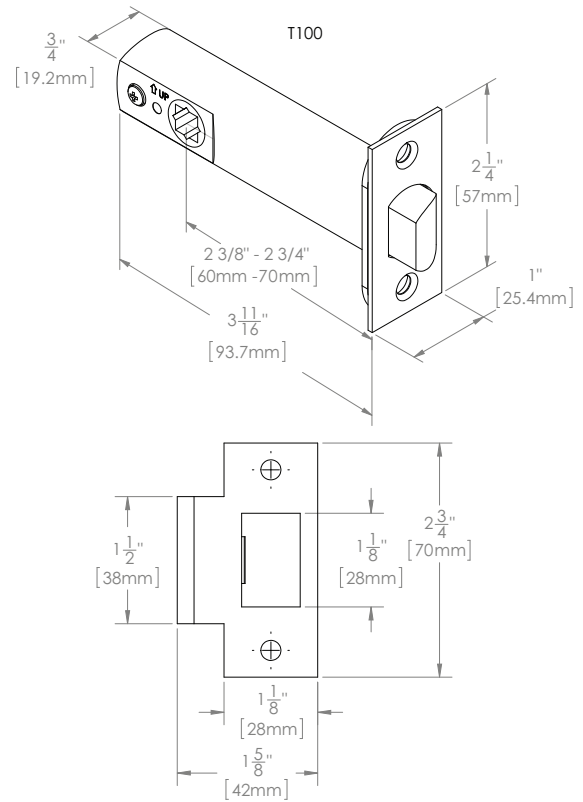
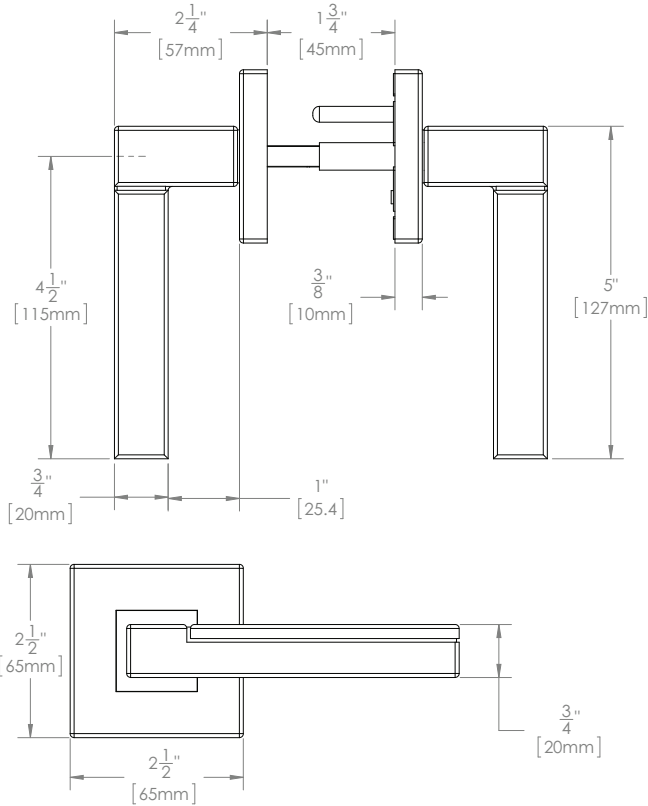
SATIN CHROME  
POLISHED CHROME  
SC/PC



SATIN NICKEL  
POLISHED NICKEL  
SN/PN



## MUNICH MH32



### MUNICH LEVERSET SPECIFICATIONS:

FUNCTION	BACKSET	SATIN CHROME/ POLISHED CHROME SC/PC	SATIN NICKEL/ POLISHED NICKEL SN/PN
PASSAGE	2 3/8" BS	MH32R10-T100-SC/PC	MH32R10-T100-SN/PN
PASSAGE	2 3/4" BS	MH32R10-T101-SC/PC	MH32R10-T101-SN/PN