

**LUGANO LO36**



Features:

- ▶ 45 degree latch retraction
- ▶ Heavy duty spring loaded reversible latch
- ▶ Push button auto release with privacy function
- ▶ Concealed screw mounting
- ▶ All metal construction
- ▶ Fits all standard 2 1/8" hole prepped doors
- ▶ Premium quality finishing
- ▶ Available in 2 3/8" and 2 3/4" backset
- ▶ 20 minute fire rating available
- ▶ Can be used with 1 3/8" and 1 3/4" thick doors
- ▶ Lifetime mechanical and finish warranty

Finishes:

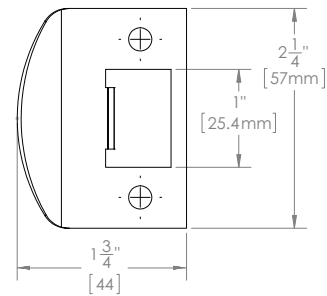
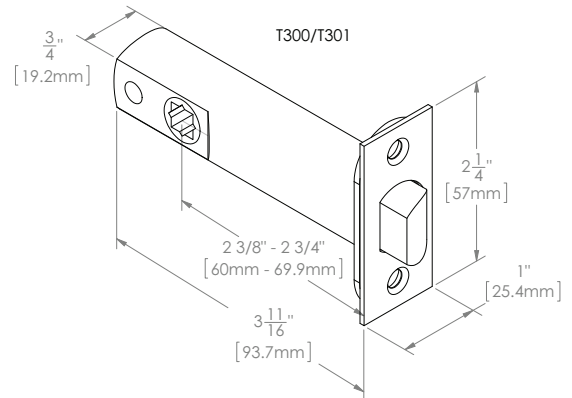
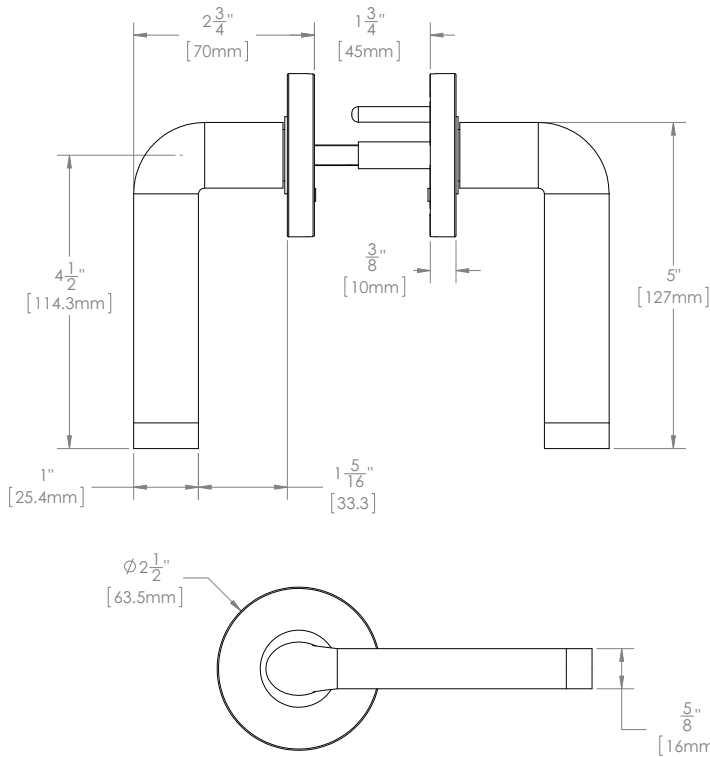
SATIN CHROME  
POLISHED CHROME  
SC / PC



SATIN NICKEL  
POLISHED NICKEL  
SN / PN



## LUGANO LO36



### LUGANO LEVERSET SPECIFICATIONS:

| FUNCTION | BACKSET   | SATIN CHROME / POLISHED CHROME<br>SC / PC | SATIN NICKEL / POLISHED NICKEL<br>SN / PN |
|----------|-----------|---|---|
| PASSAGE  | 2 3/8" BS | LO36R21-T300-SC/PC                        | LO36R21-T300-SN/PN                        |
| PASSAGE  | 2 3/4" BS | LO36R21-T301-SC/PC                        | LO36R21-T301-SN/PN                        |
| PRIVACY  | 2 3/8" BS | LO36R21-T340-SC/PC                        | LO36R21-T340-SN/PN                        |
| PRIVACY  | 2 3/4" BS | LO36R21-T341-SC/PC                        | LO36R21-T341-SN/PN                        |
| DBLD     |           | LO36R21-D390-SC/PC                        | LO36R21-D390-SN/PN                        |
| SGLD     |           | LO36R21-D385-SC/PC                        | LO36R21-D385-SN/PN                        |