

**KHD-2618B/09-R10-RW**

Undermount Kitchen Sink  
Double Sink

Product Features:

- ▶ Configuration: Double basin undermount sink
- ▶ Set-up: Supplied w/ cutout template
- ▶ Construction: Handmade/Laser Welded

Dimensions:

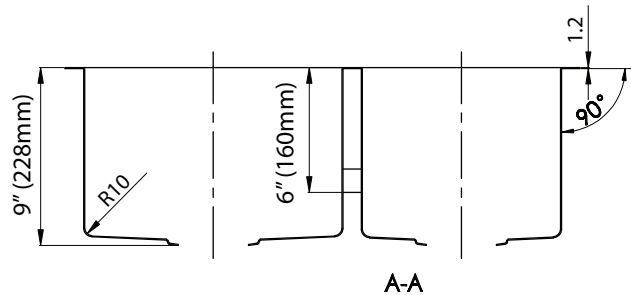
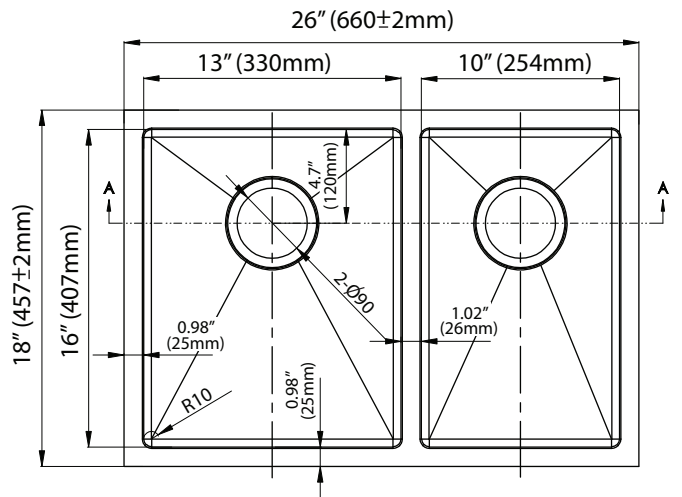
- ▶ Outside Dimensions: 26"W x 18"H
- ▶ Bowl Dimensions: 13"W x 16"D
- ▶ Bowl Dimensions: 20"W x 16"D
- ▶ Bowl Depth: 9"D
- ▶ Thickness: 1.2mm

Finish:

- ▶ Matt Stainless

Material:

- ▶ 304 Stainless Steel



A1 995 National Building Code, Section 3.7, and CAN/CSA and OBC 3.7