

ESSEN EN34



Features:

- ▶ 28 degree latch retraction
- ▶ Heavy duty spring loaded reversible latch
- ▶ Concealed screw mounting
- ▶ All metal construction
- ▶ Fits all standard 2 1/8" hole prepped doors
- ▶ Premium quality finishing
- ▶ Available in 2 3/8" and 2 3/4" backset
- ▶ 20 minute fire rating available
- ▶ Can be used with 1 3/8" and 1 3/4" thick doors
- ▶ Lifetime mechanical and finish warranty

Finishes:

POLISHED CHROME
PC



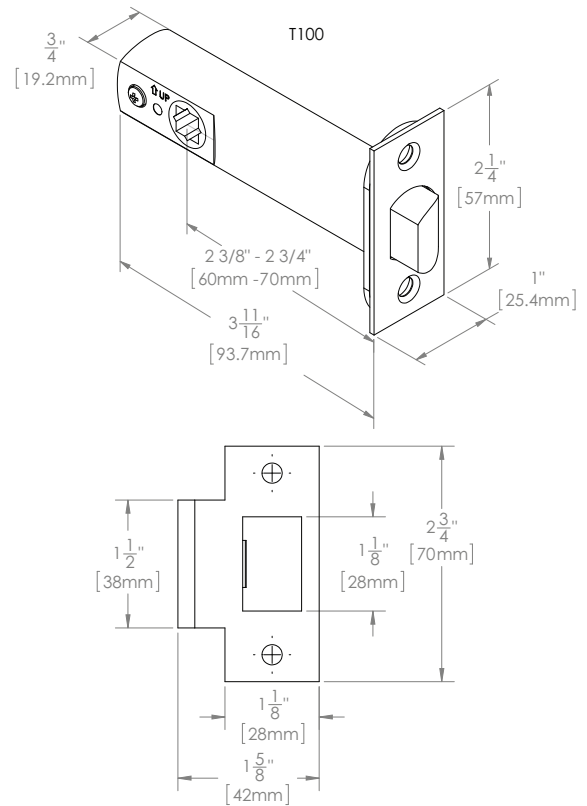
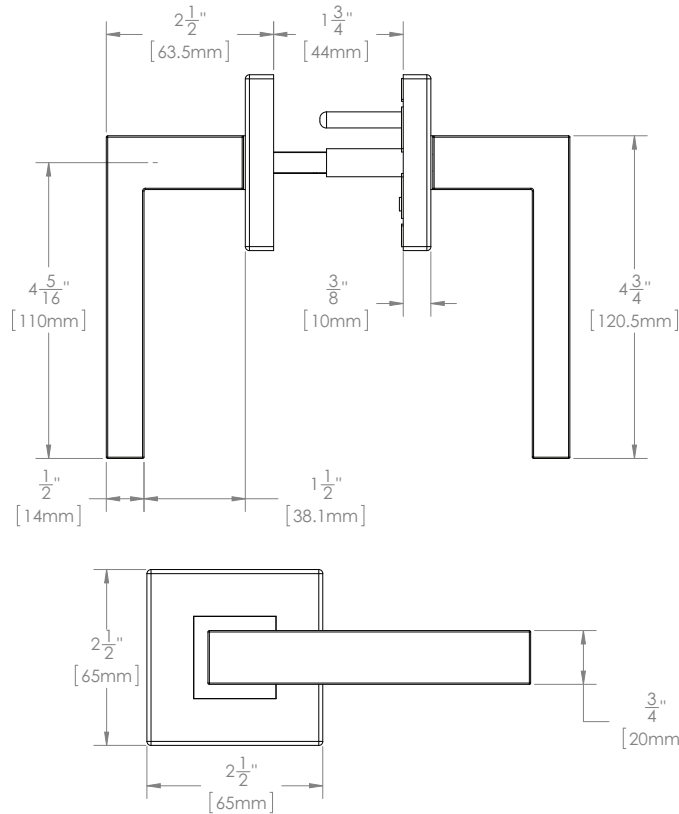
SATIN CHROME
SC



SATIN NICKEL
SN



ESSEN EN34



ESSEN LEVERSET SPECIFICATIONS:

FUNCTION	BACKSET	POLISHED CHROME PC	SATIN CHROME SC	SATIN NICKEL SN
PASSAGE	2 3/8" BS	EN34R10-T100-PC	EN34R10-T100-SC	EN34R10-T100-SN
PASSAGE	2 3/4" BS	EN34R10-T101-PC	EN34R10-T101-SC	EN34R10-T101-SN