



## Unico 3

Coplanar system for cabinets with 3 wooden doors

Terno Scorrevoli, with its ongoing commitment to technical development and the constant research of a “unique design”, oriented towards supplying solutions capable of combining aesthetic and functionality, now undertakes a new challenge and presents the new **UNICO** system. An **innovative and revolutionary coplanar sliding mechanism for cabinets with three wooden doors.**

Coplanar sliding systems for doors are the natural response to the requirements of a minimalist and modern design, which sees the alignment of the doors during the closing phase as an essential element of the design itself.

Increasingly important aesthetic requirements have made the lines of the visible surface of the doors so clean that they have almost removed the handles from the design itself, reducing them to nearly imperceptible recesses. In this light, it's not possible to position the handles in the middle, as they would ruin the harmony of the surface. Furthermore, the movement wouldn't be natural and it would make opening the door uncomfortable.

On the basis of these premises, Terno Scorrevoli has created **UNICO**.

#### **Aesthetics and functionality**

A coplanar sliding system which combines aesthetics and functionality. Thanks to **UNICO**, the doors are opened laterally, in a simple, practical and rapid way, as in any cabinet with overlapping sliding doors. The product is completely functional by simply making a recess on the side of the doors or inserting embedded handles.

But the advantages of **UNICO**, compared to traditional coplanar sliding systems, do not end here:

#### **Extremely versatile**

A single glide can be used for doors with 1200-1500 mm of width, 18-50 mm of depth and 30-70 kg of weight.

#### **Simple**

All the system components are pre-assembled. Thus, the installation is easy and fast.

#### **Reliable**

**UNICO** is fastened on the centre of the door and this prevents any kind of bending.

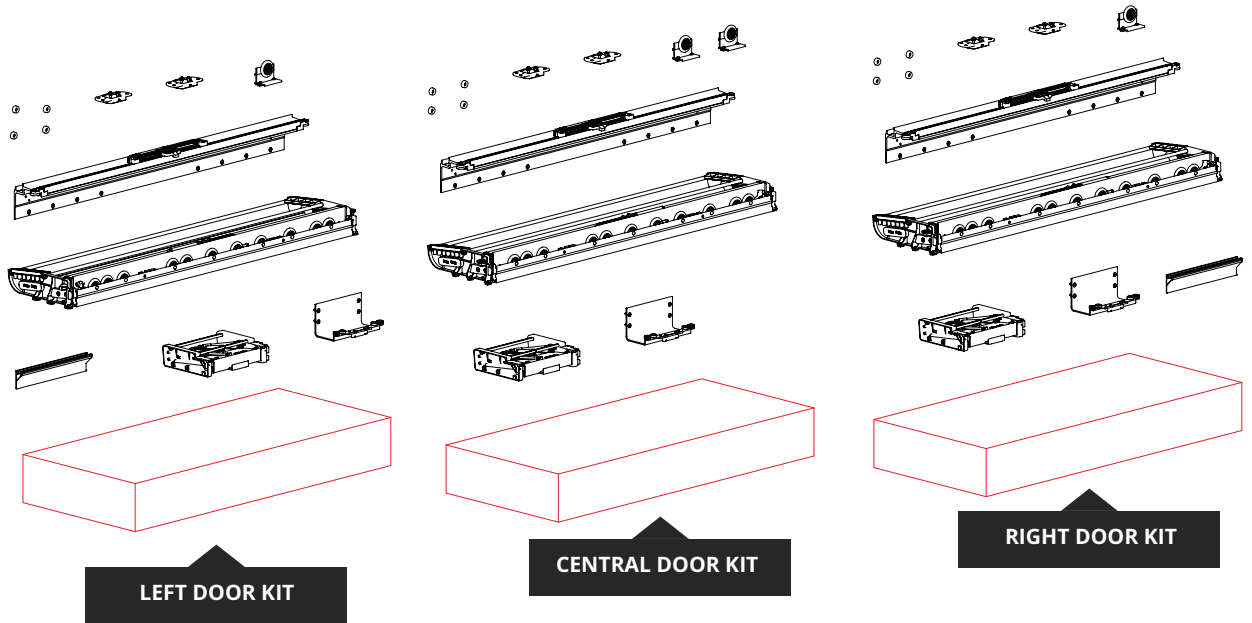
#### **No maintenance required**

The opening and closing of the doors is driven by gravity, without the aid of springs or other traction systems which overtime could deteriorate. This is why there's no maintenance required.



Coplanar system for cabinets with 3 wooden doors

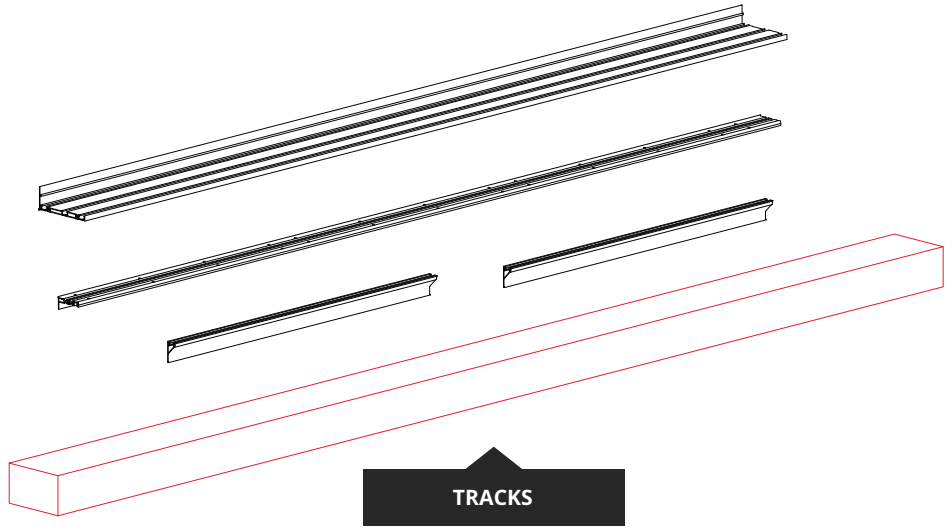
**PACKAGING SCHEME**



**LEFT DOOR KIT**

**CENTRAL DOOR KIT**

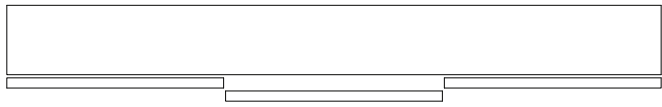

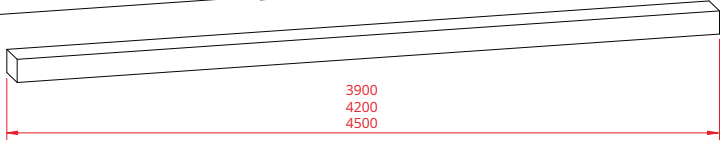
**RIGHT DOOR KIT**

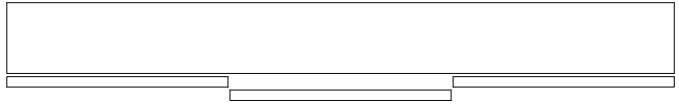

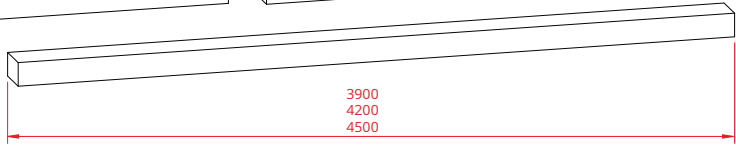


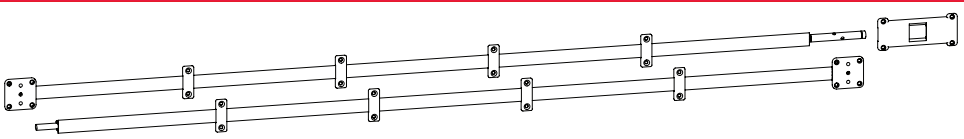
**TRACKS**

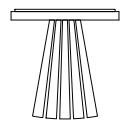


Coplanar system for cabinets with 3 wooden doors

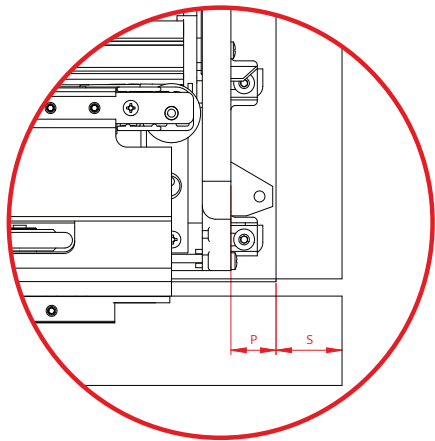
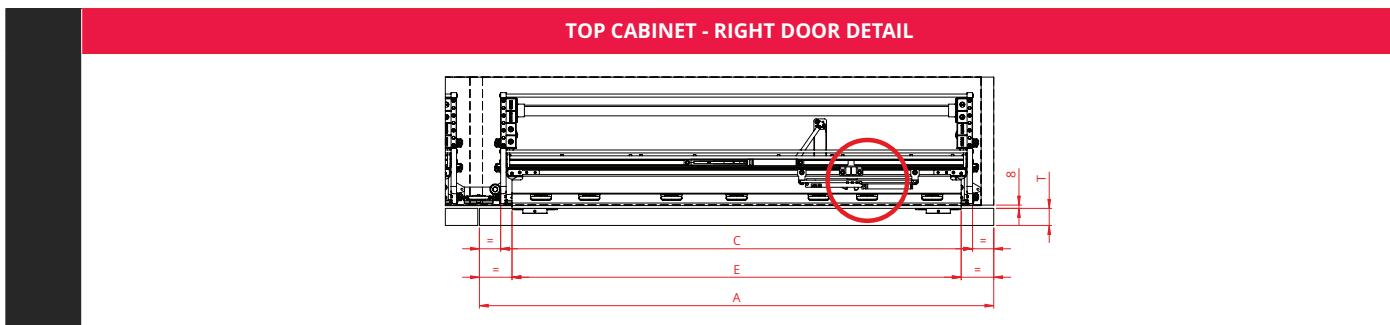
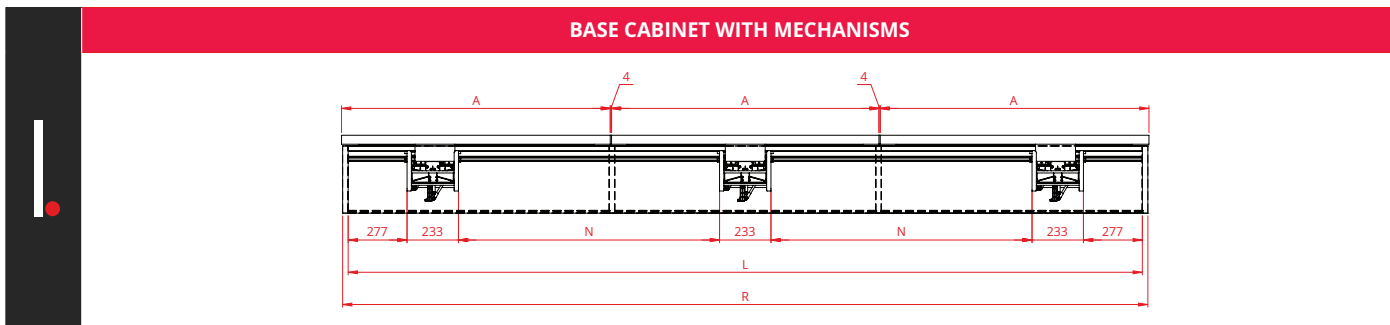
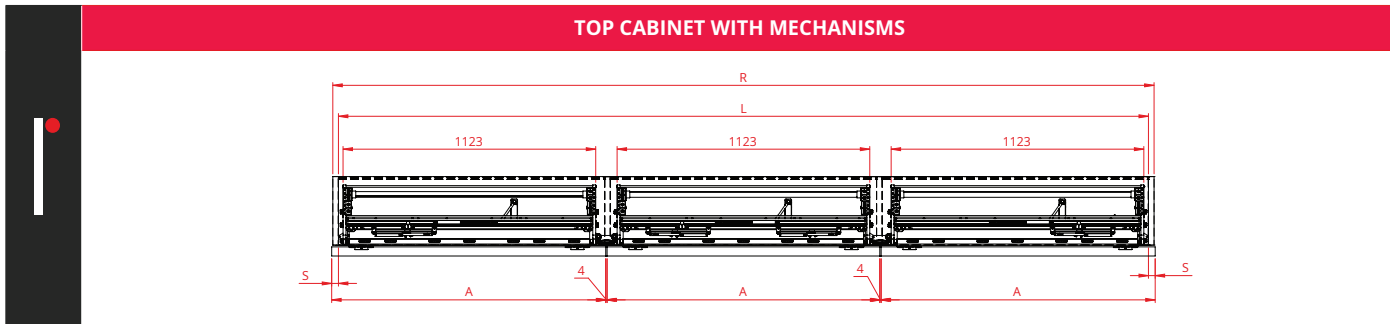
CODE	KIT IN BOX	↔
UNICO/3A/SX1200/3900		3900 mm
UNICO/3A/SX1200/4200		4200 mm
UNICO/3A/SX1200/4500		4500 mm

CODE	KIT IN BOX	↔
UNICO/3A/DX1200/3900		3900 mm
UNICO/3A/DX1200/4200		4200 mm
UNICO/3A/DX1200/4500		4500 mm

STRAGHTENING RODS	
	
<b>OPTIONAL</b>	
ART. 590/P/2B - ART. 580/P/2B - ART. 570/P/2B - ART. 603/P/2B	

ANTI-DUST BRUSH	
	
<b>OPTIONAL</b>	
ART. 542/7/G	

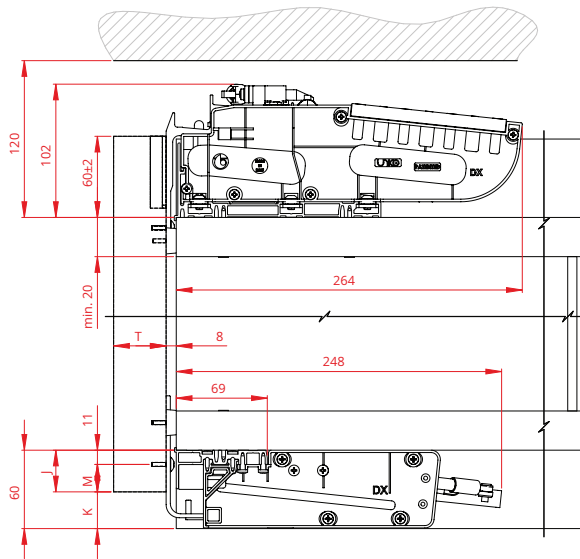
Size description



	$A=(R-4)/3$
<b>A</b>	MIN. 1199 con S=18 MAX. 1531 con S=50
<b>C</b>	1122
<b>E</b>	1069
<b>F</b>	960
<b>G</b>	313,5
<b>L</b>	MIN. 3570 mm con S=18 MAX. 4500
<b>M</b>	M=J-13
<b>N</b>	$N=(L-277-277-277-233-233-233)/2$
<b>P</b>	$P=[(A-C)/2]-S$ MIN. 27,5 mm
<b>S</b>	MIN. 18 mm MAX. 50 mm
<b>T</b>	MIN. 18 mm MAX. 50 mm

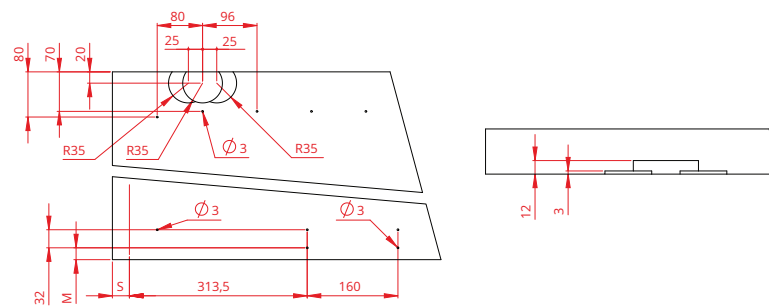
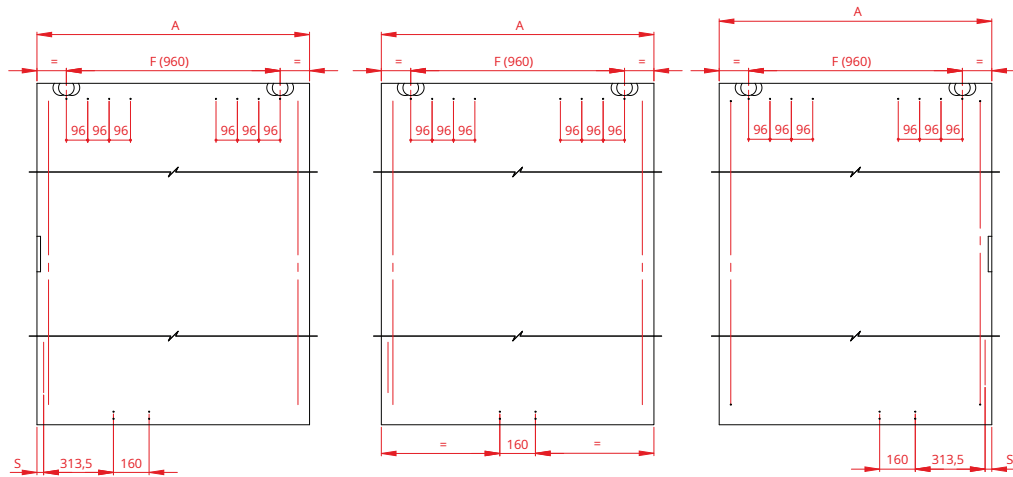
Size description

TOP CABINET: SECTION



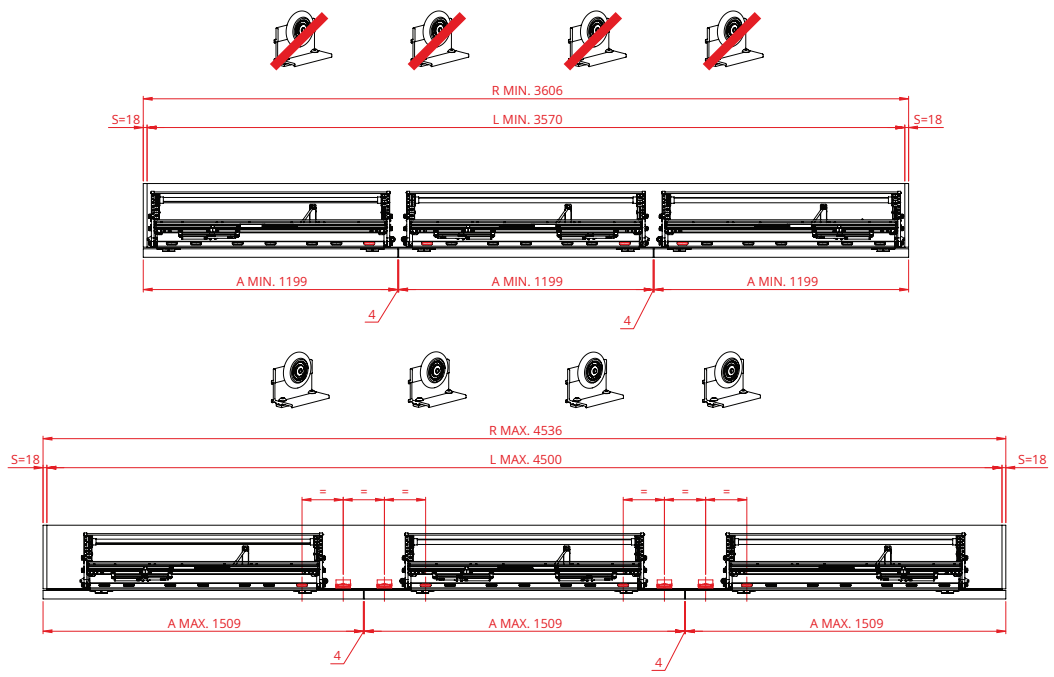
	$A=(R-4)/3$
A	MIN. 1199 con S=18
	MAX. 1531 con S=50
F	960
J	J=60-K
K	17 / 20 / 25 / 30 / 33 / 35
M	M=J-13
S	MIN. 18 mm
T	MAX. 50 mm (handle included)

DOORS SIZE

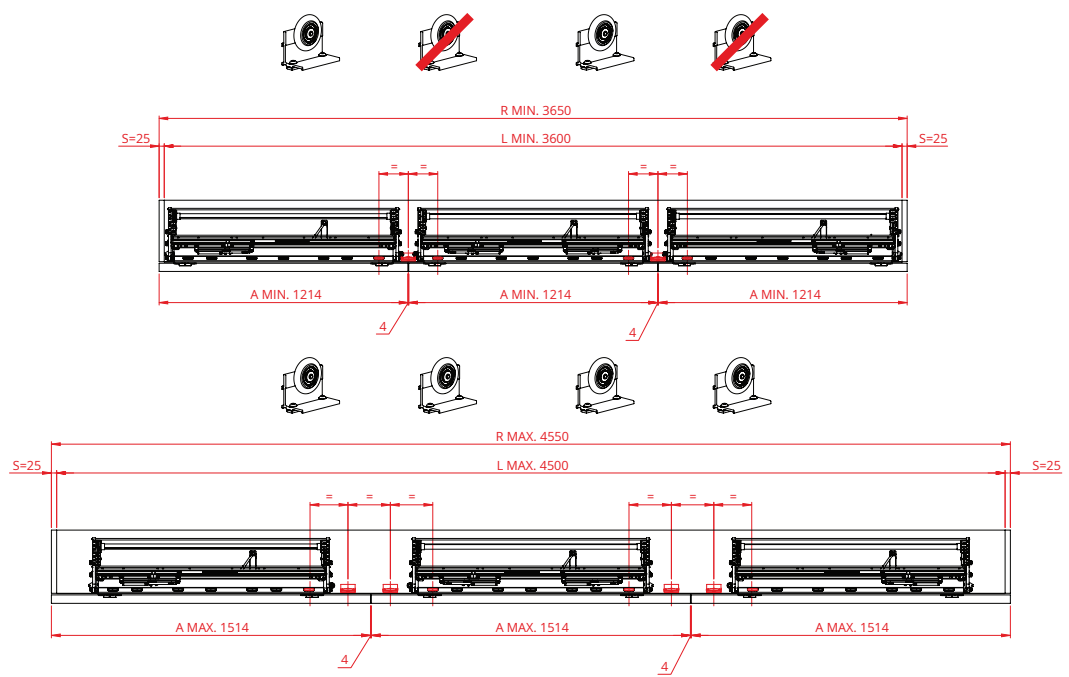


Coplanar system for cabinets with 3 wooden doors

**HOW TO CHOOSE**



WARDROBE WIDTH - MIN. 3606 mm - MAX. 4536 mm

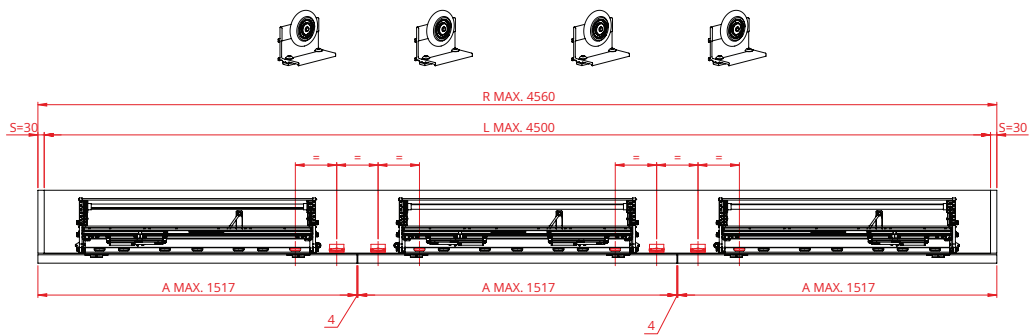
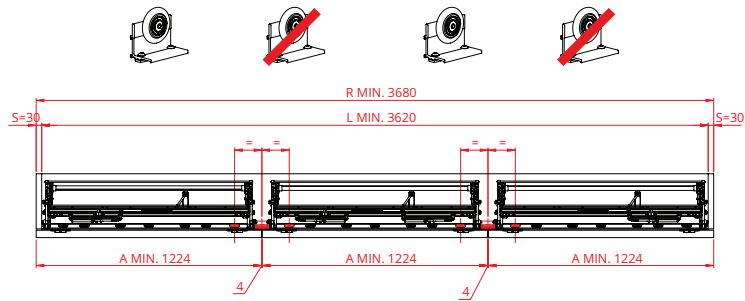


WARDROBE WIDTH - MIN. 3650 mm - MAX. 4550

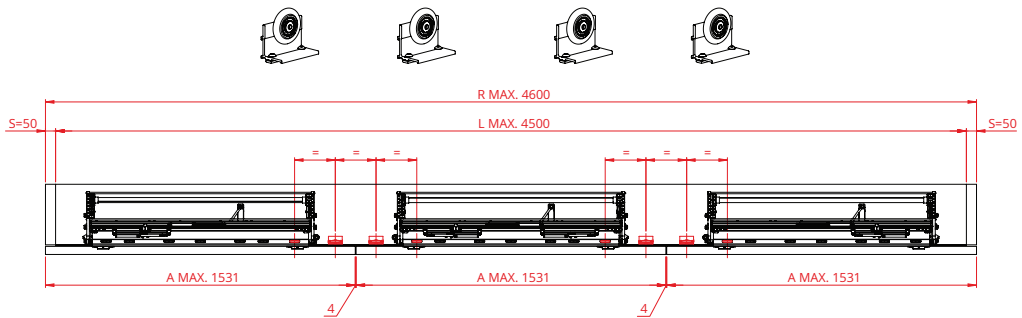
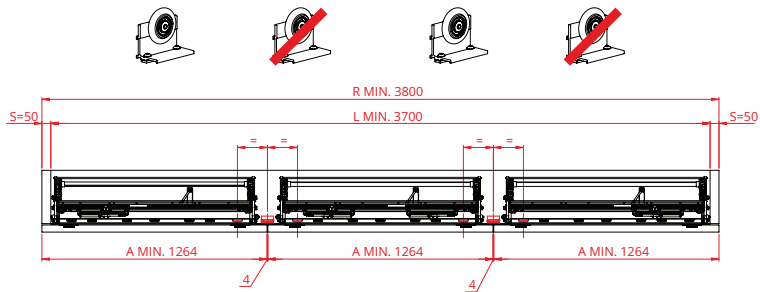


Coplanar system for cabinets with 3 wooden doors

**HOW TO CHOOSE**



WARDROBE WIDTH - MIN. 3680 mm - MAX. 4560 mm

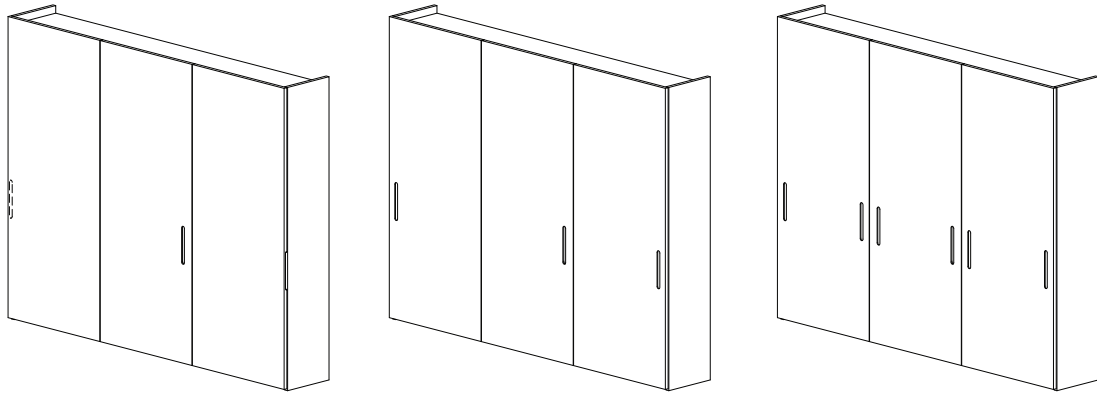


WARDROBE WIDTH - MIN. 3800 mm - MAX. 4600

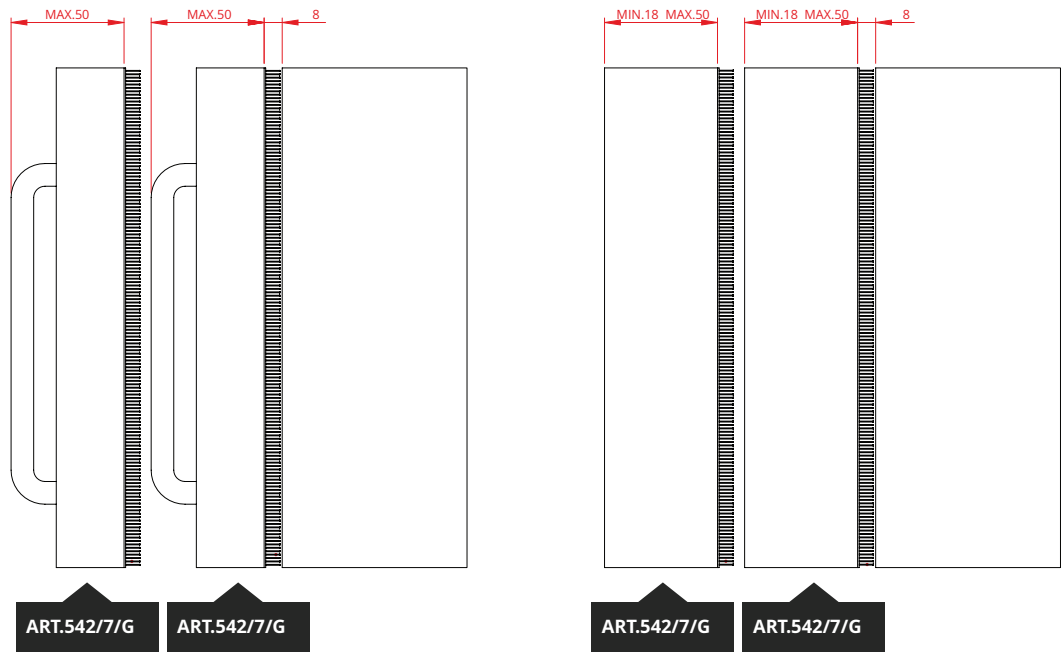


Coplanar system for cabinets with 3 wooden doors

HANDLES



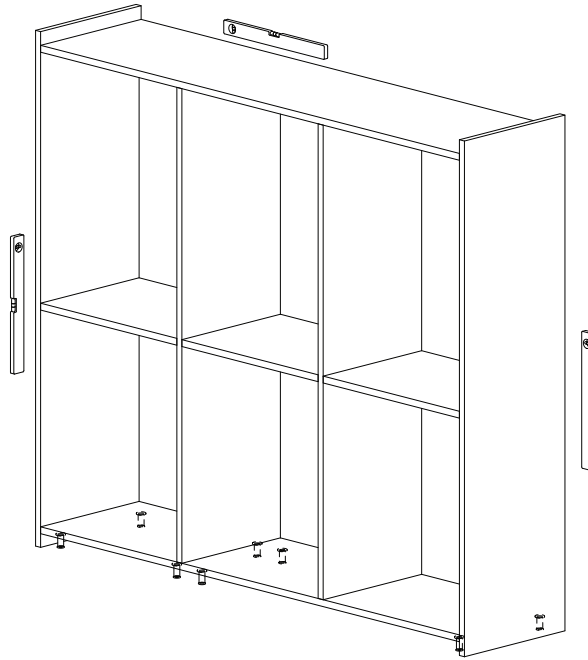
3 ALLOWED CONFIGURATIONS



Coplanar system for cabinets with 3 wooden doors

CABINET LEVELLING

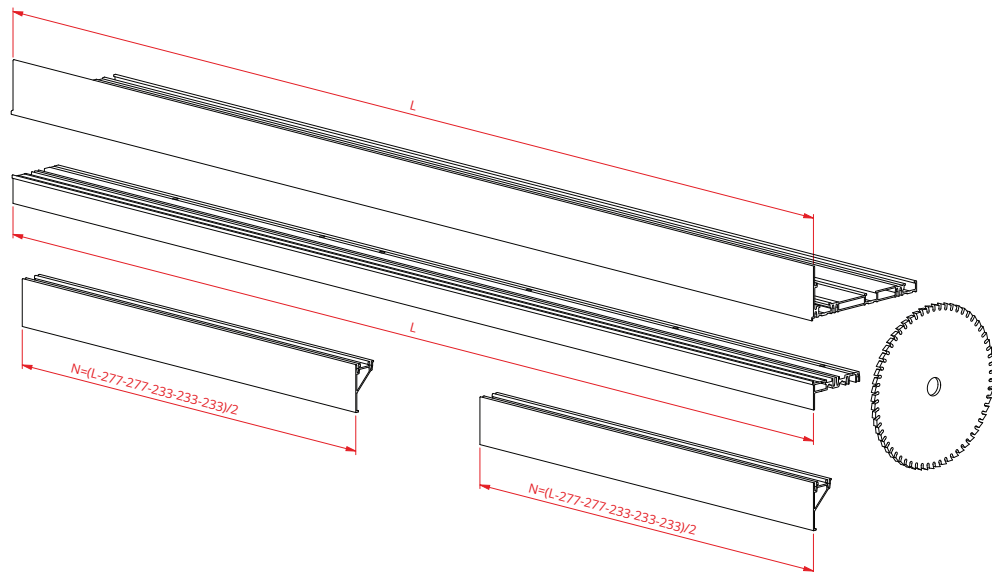
1



THROUGH THE ADJUSTMENT FEET,  
LEVEL THE CABINET IN ALL THE  
DIRECTIONS INDICATED

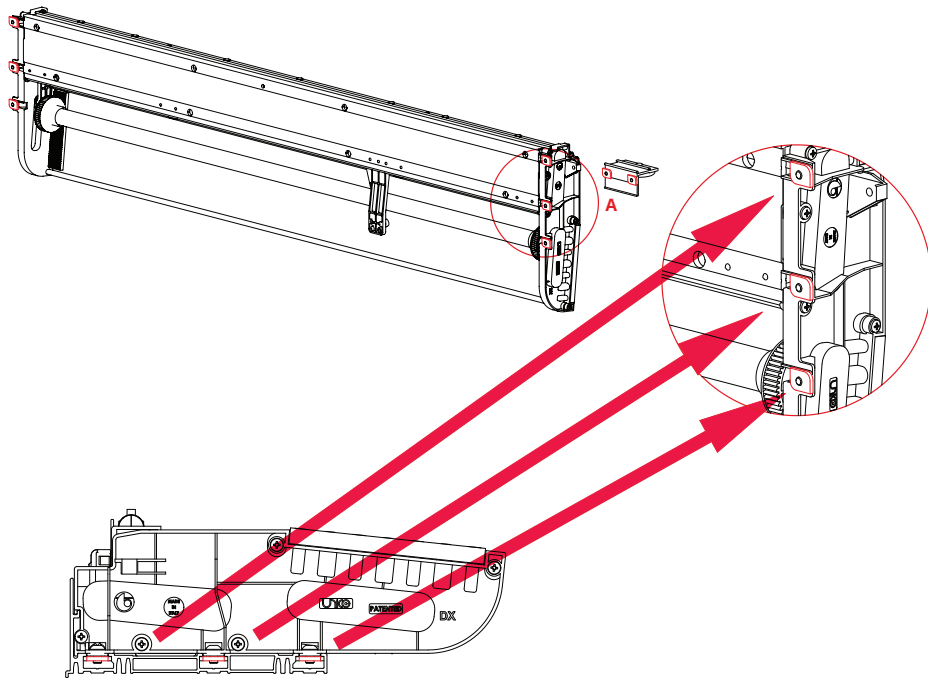
TRACKS CUTTING

2



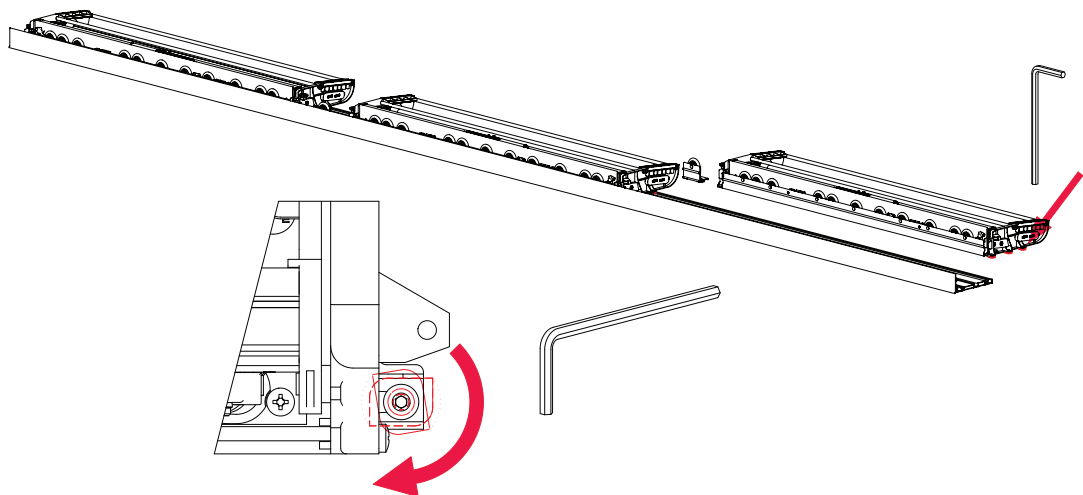
Coplanar system for cabinets with 3 wooden doors

ASSEMBLY OF UPPER MECHANISM



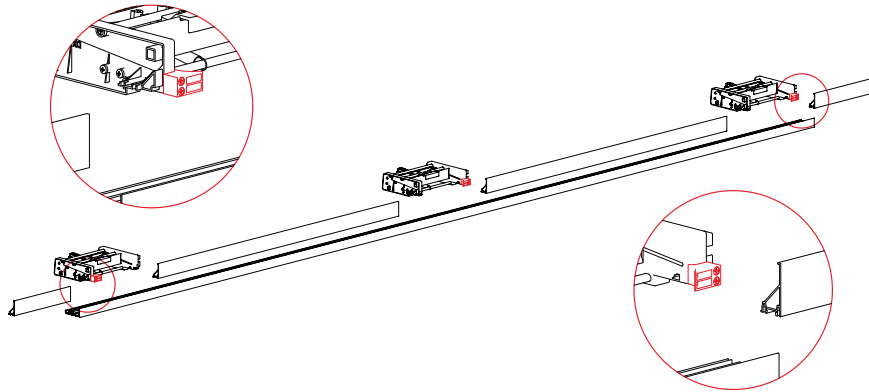
3

PLACE THE 6 FIXING PLATED IN THE 3 GROOVES

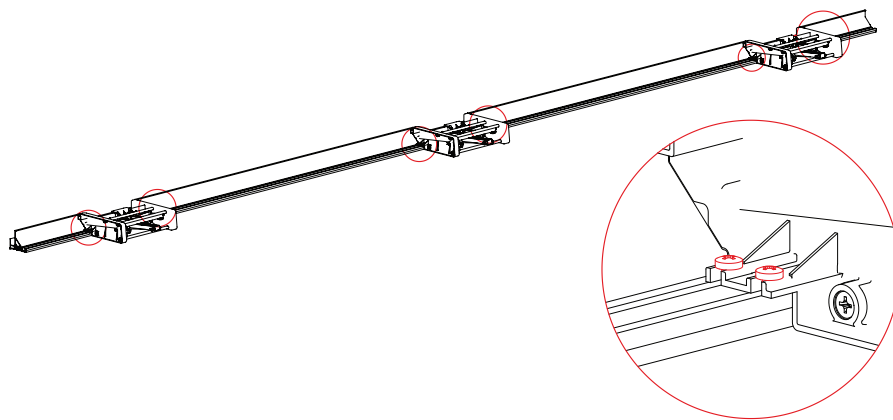


Coplanar system for cabinets with 3 wooden doors

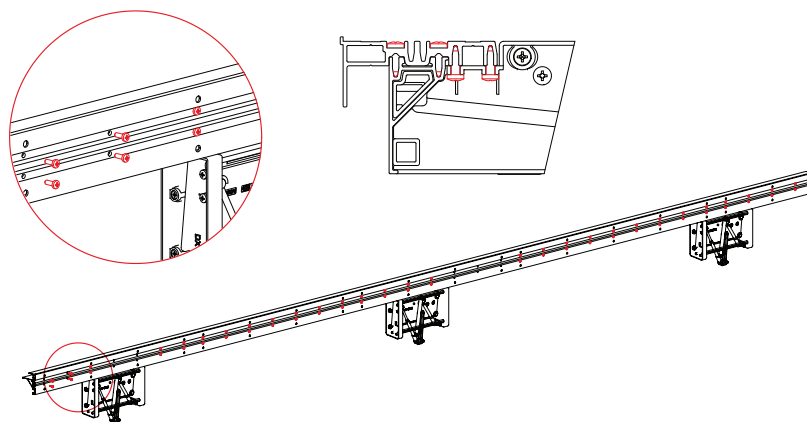
ASSEMBLY OF LOWER MECHANISM



VERIFY THE DIRECTION OF THE ELEMENTS



SCREW THE LOWER MECHANISM ON THE ALUMINIUM PROFILE



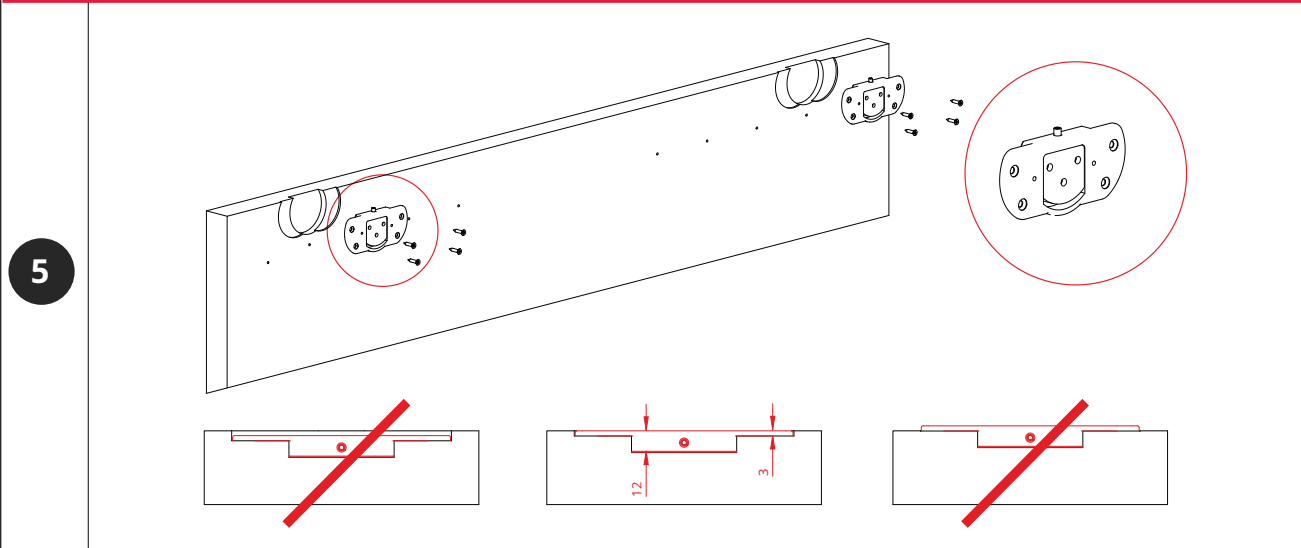
SCREW THE ALUMINIUM PROFILES



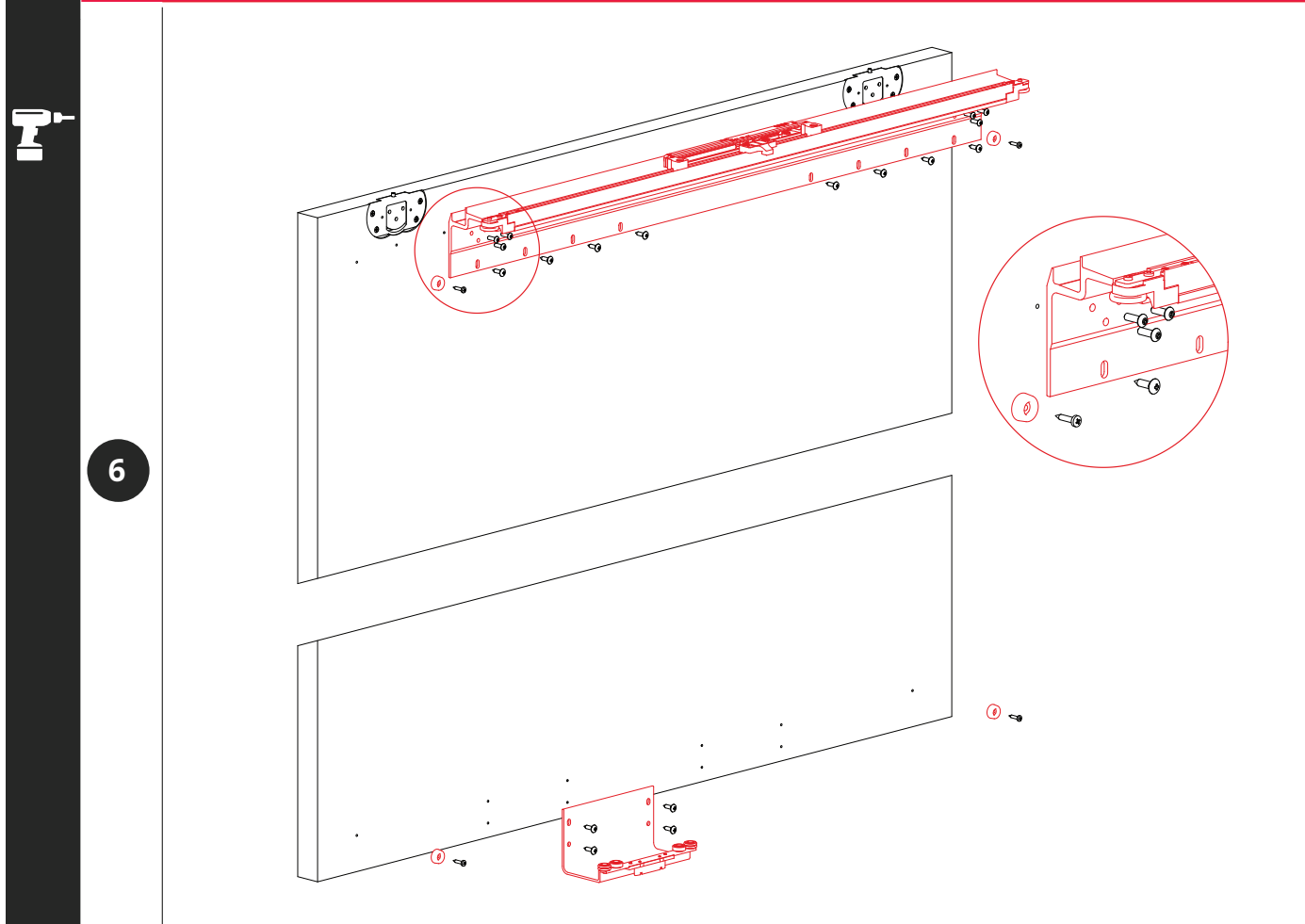
4

Coplanar system for cabinets with 3 wooden doors

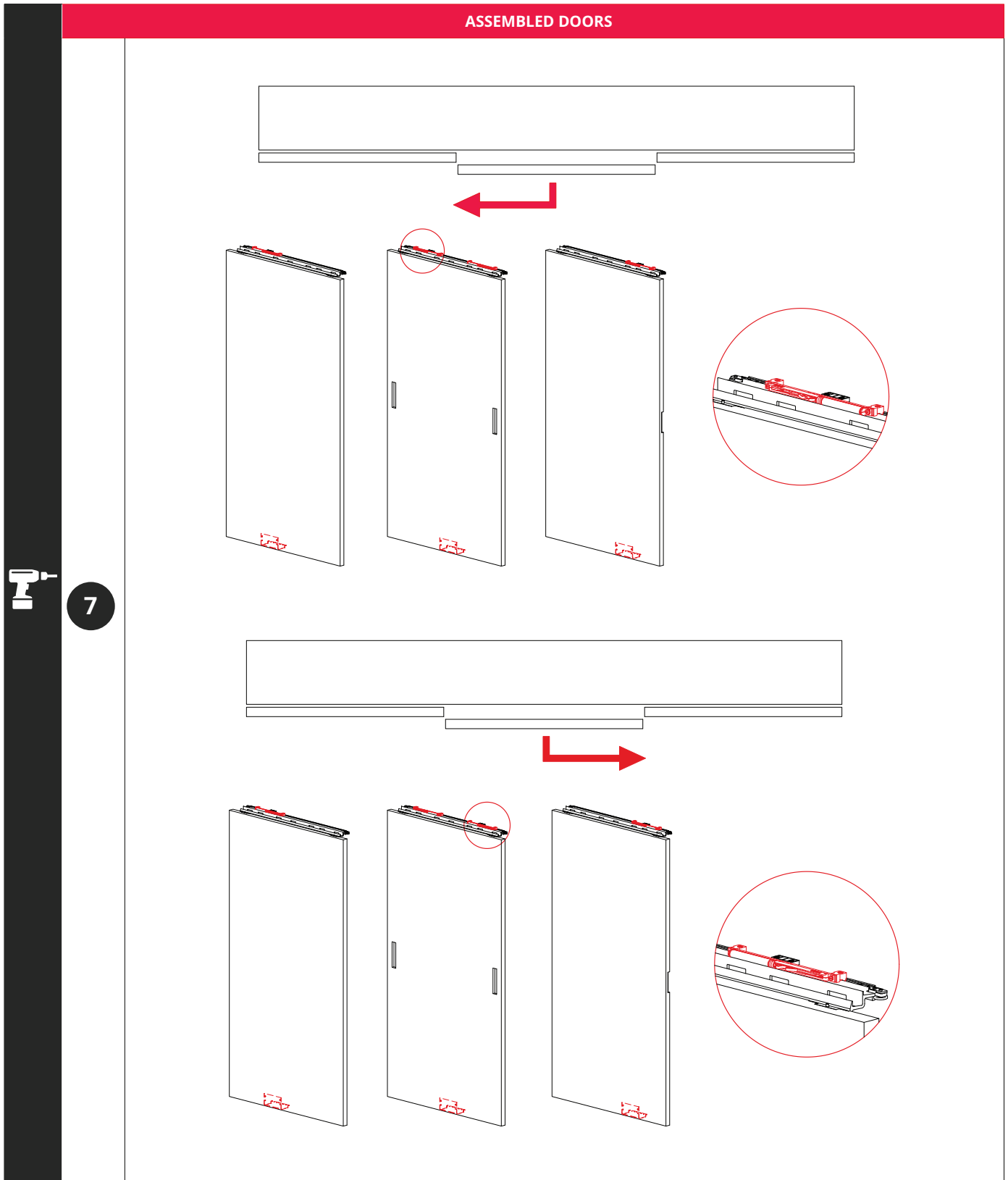
**ATTACHMENT OF SLIDING SUPPORTS**



**MOUNTING OF UPPER GLIDE AND LOWER GUIDE WITH 4 RUBBERS**

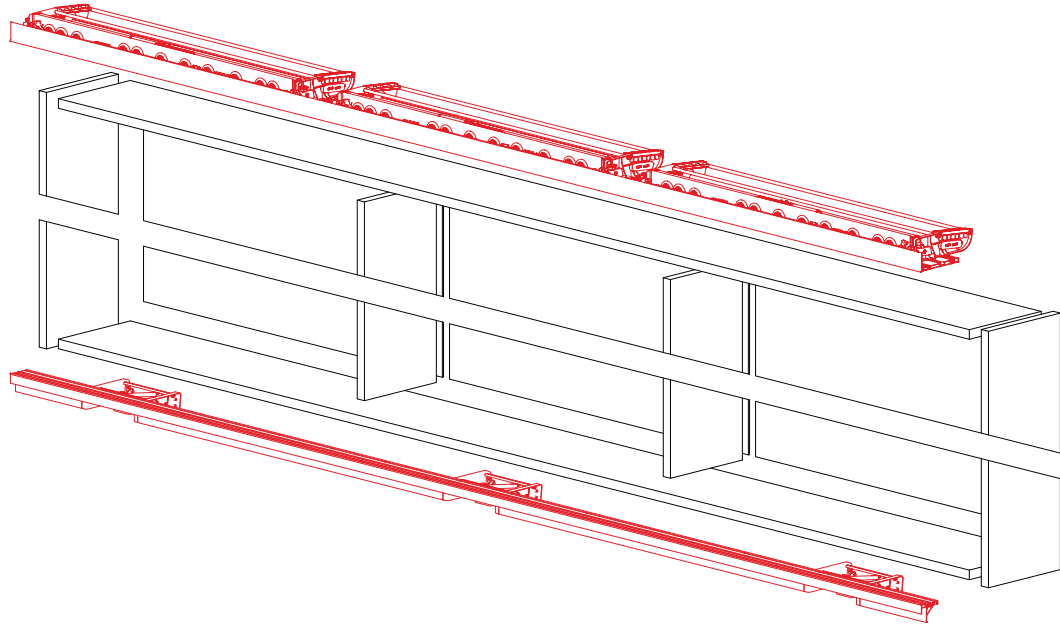


Coplanar system for cabinets with 3 wooden doors

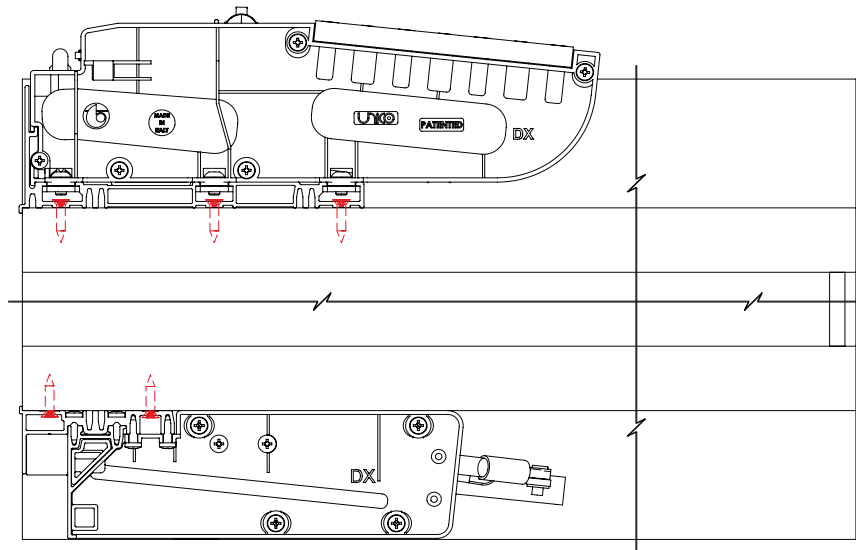


Coplanar system for cabinets with 3 wooden doors

POSITIONING OF MECHANISMS ON THE CABINET



8

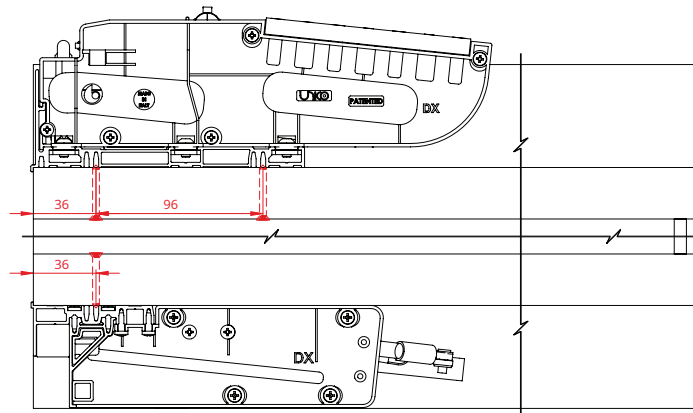
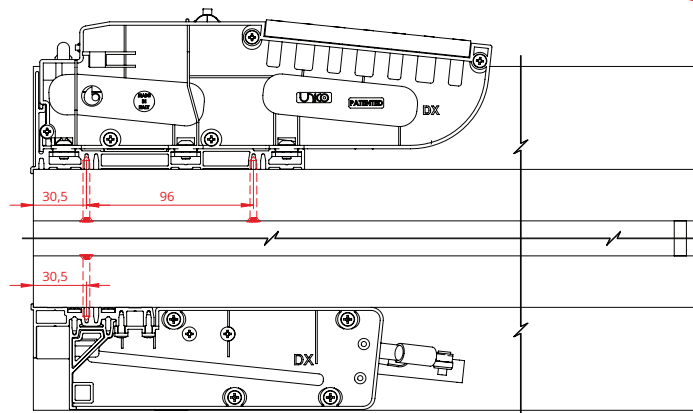
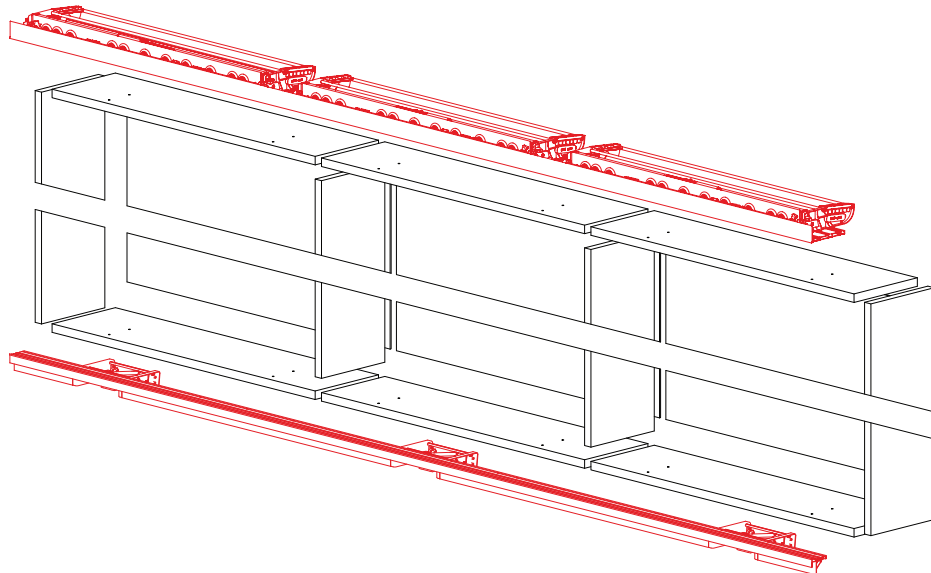


CABINET WITH WHOLE TOP AND BASE, WITHOUT HOLES



Coplanar system for cabinets with 3 wooden doors

POSITIONING OF MECHANISMS ON THE CABINET



CABINET WITH MODULAR TOP AND BASE, WITH HOLES



8

Coplanar system for cabinets with 3 wooden doors

