



Unico 2

Coplanar system for cabinets with 2 wooden doors

Terno Scorrevoli, with its ongoing commitment to technical development and the constant research of a “unique design”, oriented towards supplying solutions capable of combining aesthetic and functionality, now undertakes a new challenge and presents the new **UNICO** system. **An innovative and revolutionary coplanar sliding mechanism for cabinets with two wooden doors.**

Coplanar sliding systems for doors are the natural response to the requirements of a minimalist and modern design, which sees the alignment of the doors during the closing phase as an essential element of the design itself.

Increasingly important aesthetic requirements have made the lines of the visible surface of the doors so clean that they have almost removed the handles from the design itself, reducing them to nearly imperceptible recesses. In this light, it's not possible to position the handles in the middle, as they would ruin the harmony of the surface. Furthermore, the movement wouldn't be natural and it would make opening the door uncomfortable.

On the basis of these premises, Terno Scorrevoli has created **UNICO**.

Aesthetics and functionality

A coplanar sliding system which combines aesthetics and functionality. Thanks to **UNICO**, the doors are opened laterally, in a simple, practical and rapid way, as in any cabinet with overlapping sliding doors. The product is completely functional by simply making a recess on the side of the doors or inserting embedded handles.

But the advantages of **UNICO**, compared to traditional coplanar sliding systems, do not end here:

Extremely versatile

A single glide can be used for doors with 1200-1500 mm of width, 18-50 mm of depth and 30-70 kg of weight.

Simple

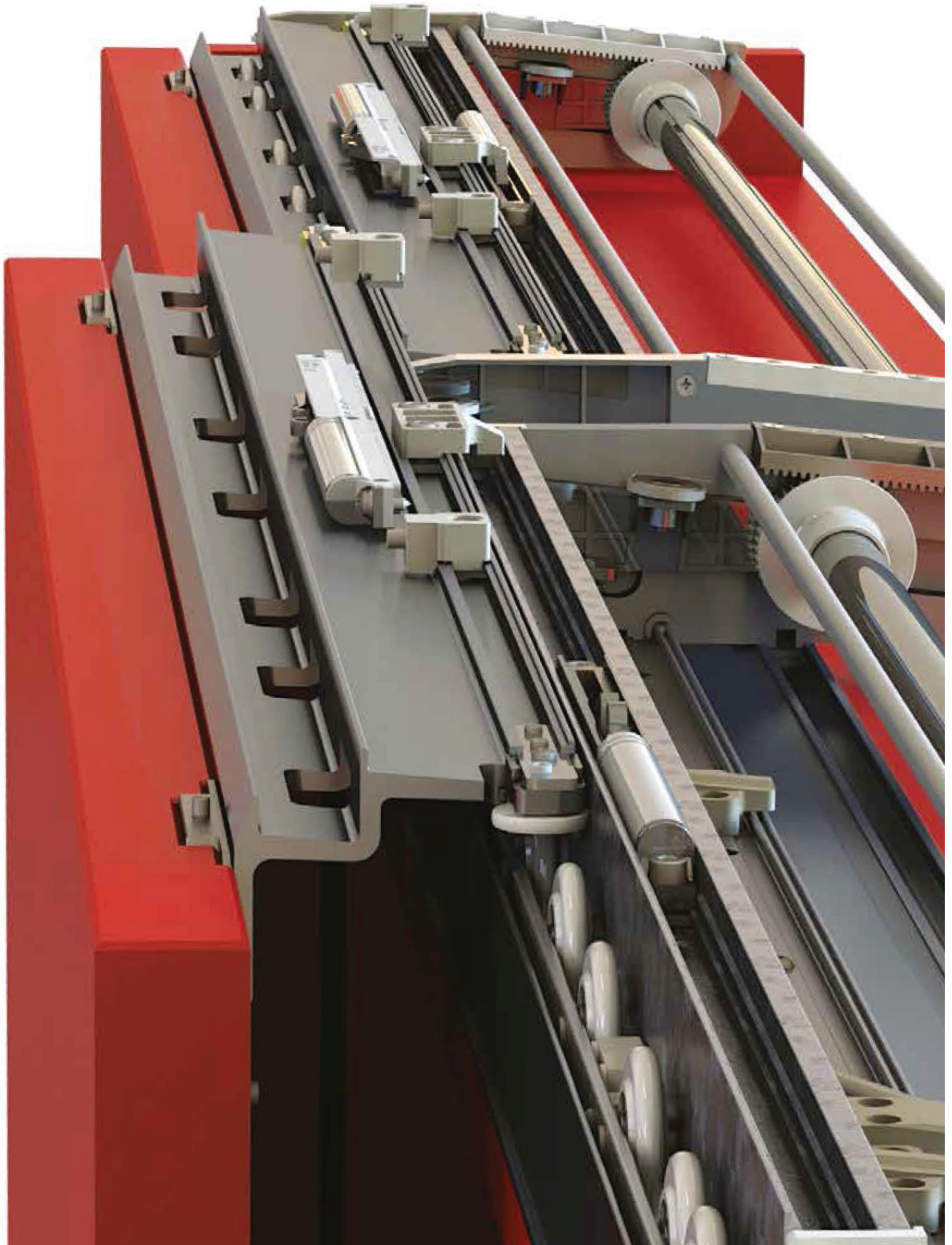
All the system components are pre-assembled. Thus, the installation is easy and fast.

Reliable

UNICO is fastened on the centre of the door and this prevents any kind of bending.

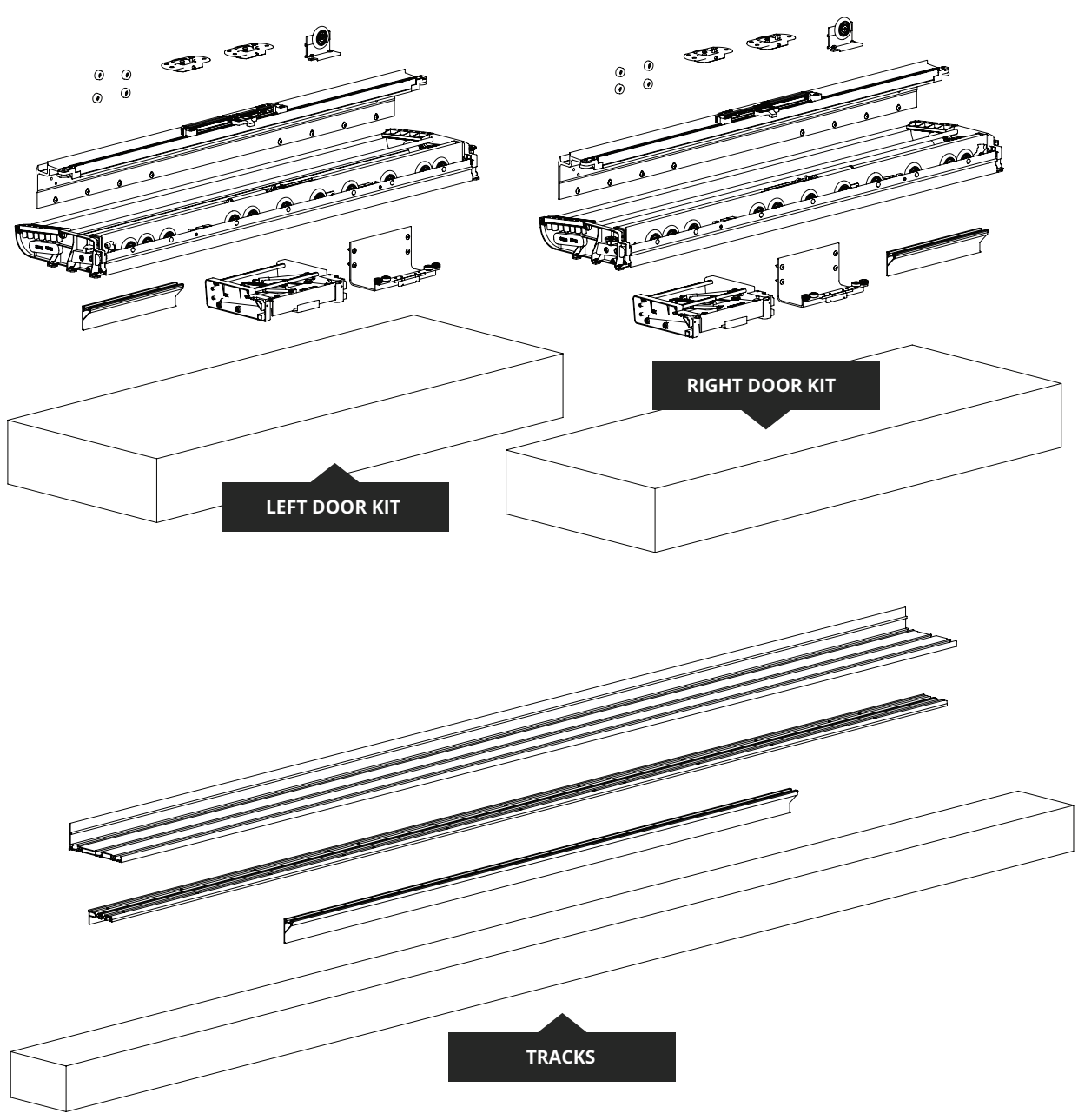
No maintenance required

The opening and closing of the doors is driven by gravity, without the aid of springs or other traction systems which overtime could deteriorate. This is why there's no maintenance required.



Coplanar system for cabinets with 2 wooden doors

PACKAGING SCHEME



Coplanar system for cabinets with 2 wooden doors

CODE	KIT IN BOX	↔
UNICO/2A/1200/3000		3000 mm
UNICO/2A/1200/2800		2800 mm
UNICO/2A/1200/2600		2600 mm

STRAGHTENING RODS

OPTIONAL

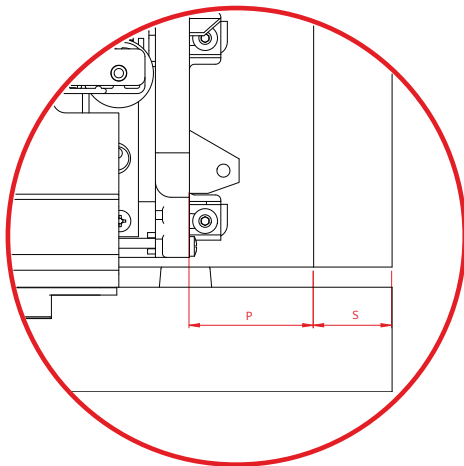
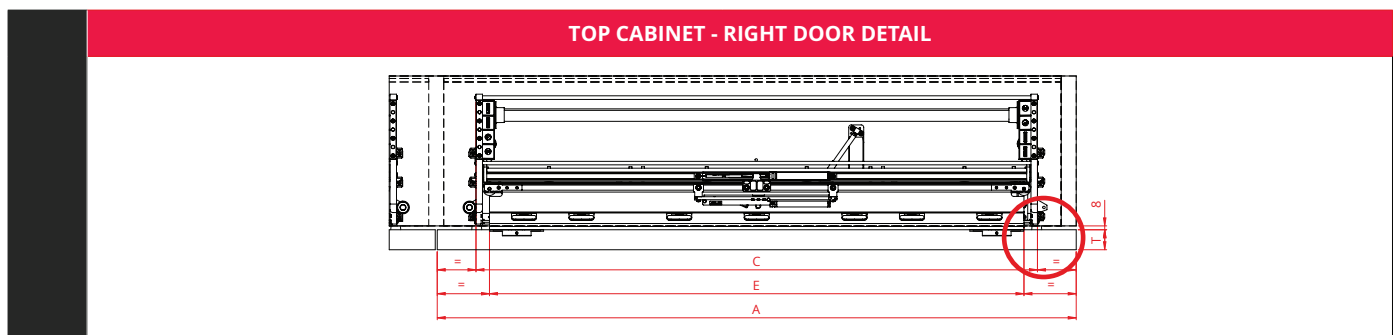
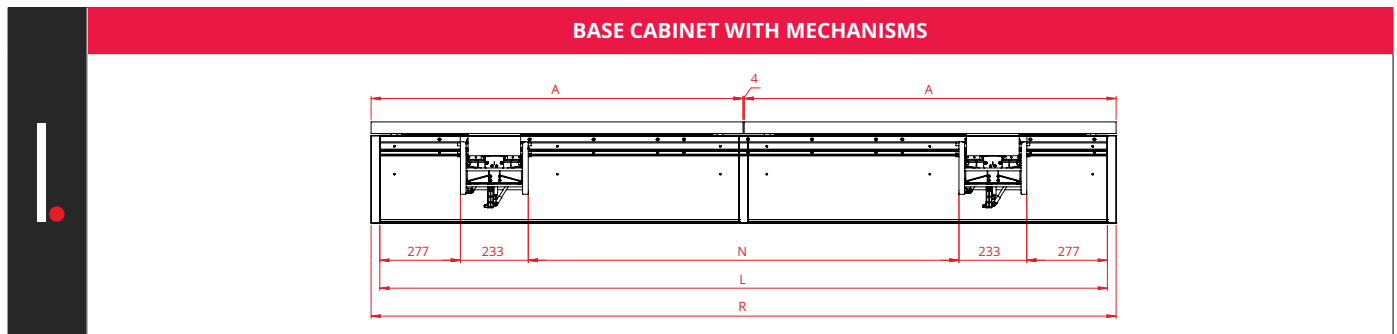
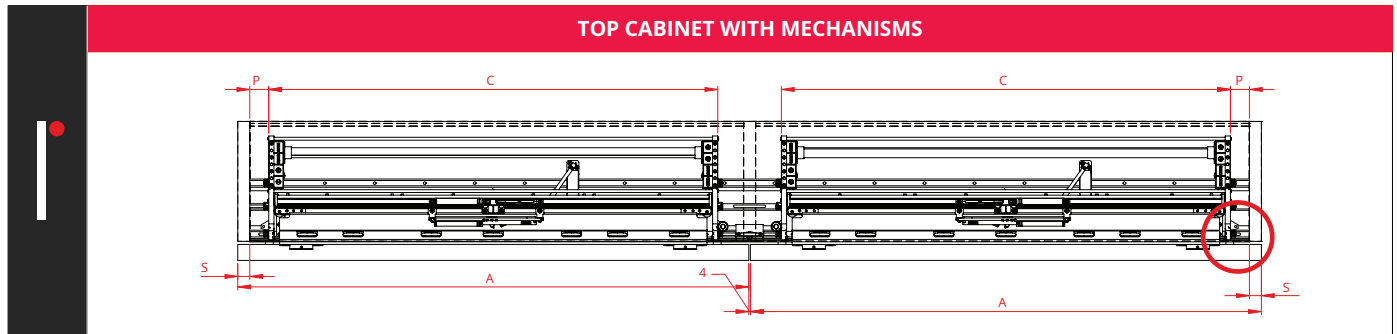
ART. 590/P/2B - ART. 580/P/2B - ART. 570/P/2B - ART. 603/P/2B

ANTI-DUST BRUSH

OPTIONAL

ART. 542/7/G

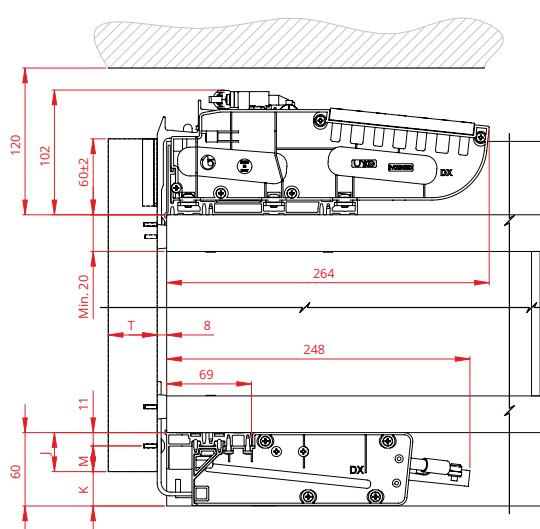
Size description



	$A=(R-4)/2$
A	MIN. 1200 con S=18 MAX. 1548 con S=50
C	1122
E	1069
F	960
G	313,5
L	MIN. 2368 mm con S=18 MAX. 3000 mm
M	$M=J-13$
N	$N=L-D-D-233-233$
P	$P=[(A-C)/2]-S$ MIN 27,5 mm
S	MIN. 18 mm MAX. 50 mm
T	MIN. 18 mm MAX. 50 mm

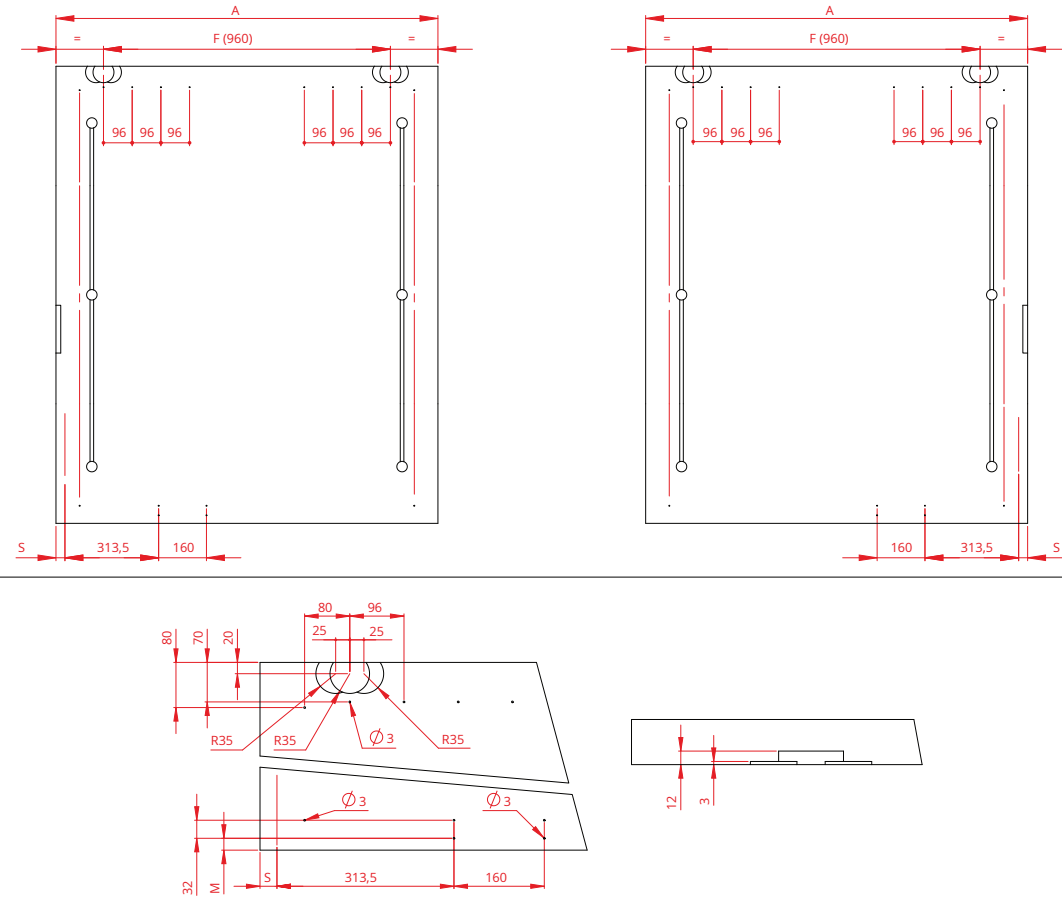
Size description

TOP CABINET: SECTION



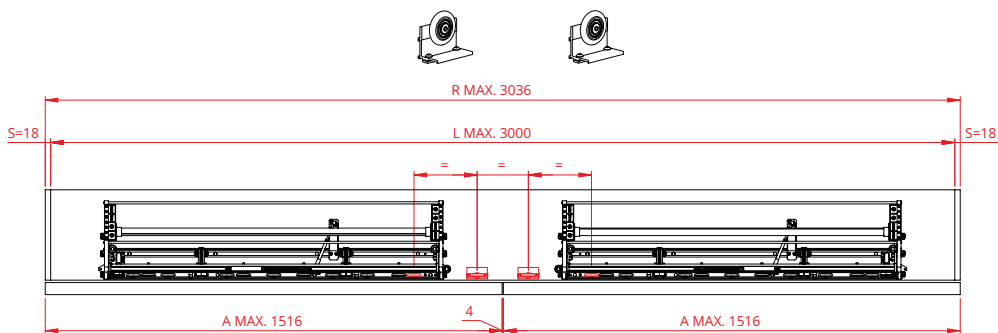
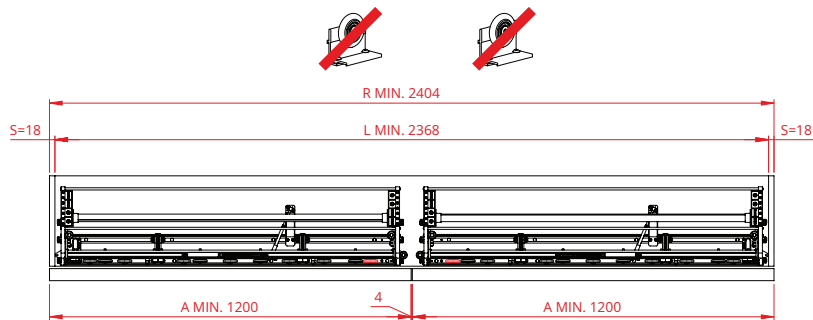
	A=(R-4)/2
A	MIN 1200 con S=18
	MAX 1548 con S=50
F	960
J	J=60-K
K	17 / 20 / 25 / 30 / 33 / 35
	MIN 17 mm / MAX 35 mm
M	M=J-13
S	MIN 18 mm
T	MIN 18 mm
	MAX 50 mm (handle included)

DOORS SIZE

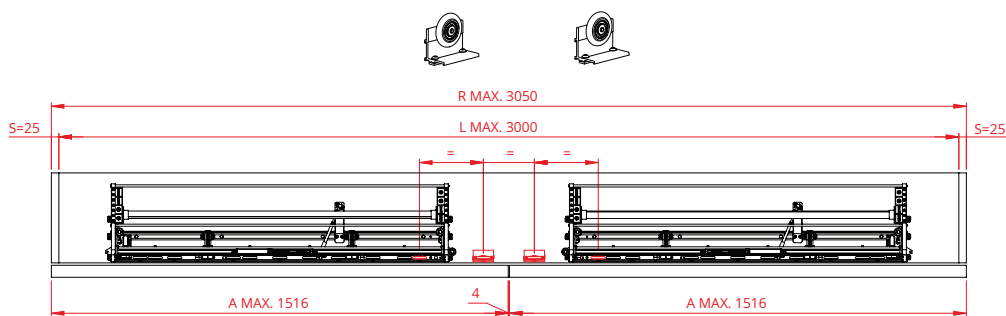
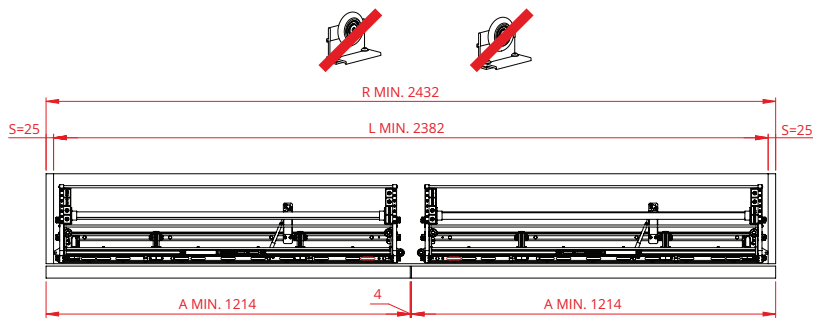


Coplanar system for cabinets with 2 wooden doors

HOW TO CHOOSE



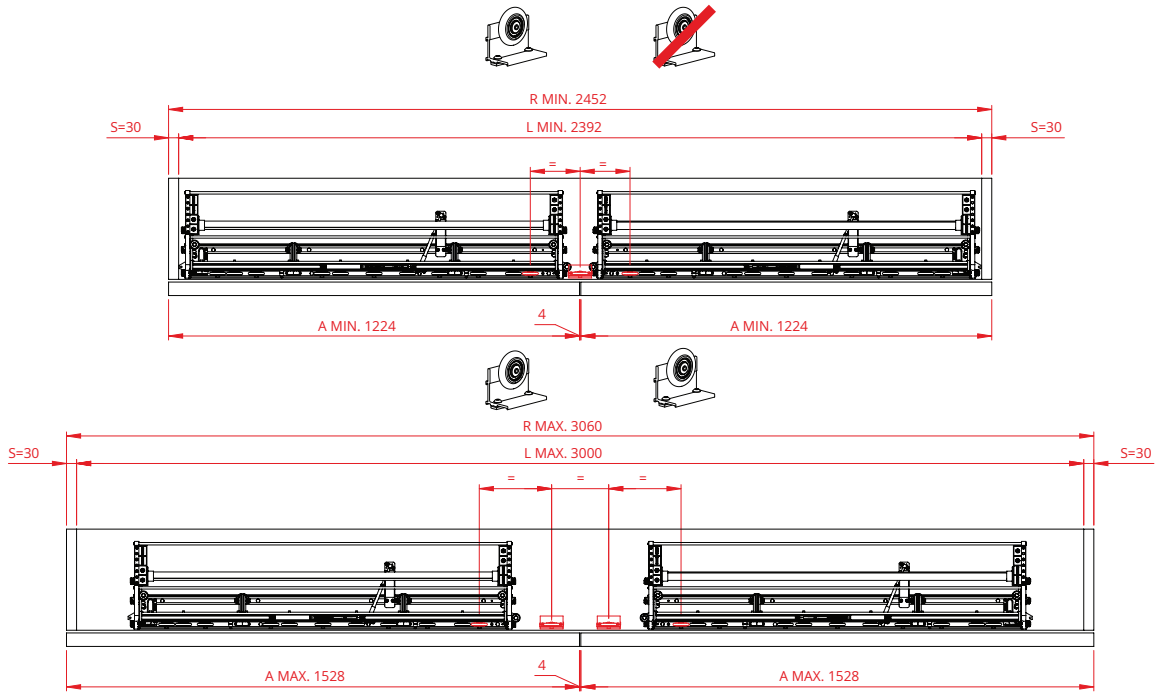
WARDROBE WIDTH - MIN. 2404 mm- MAX. 3036 mm



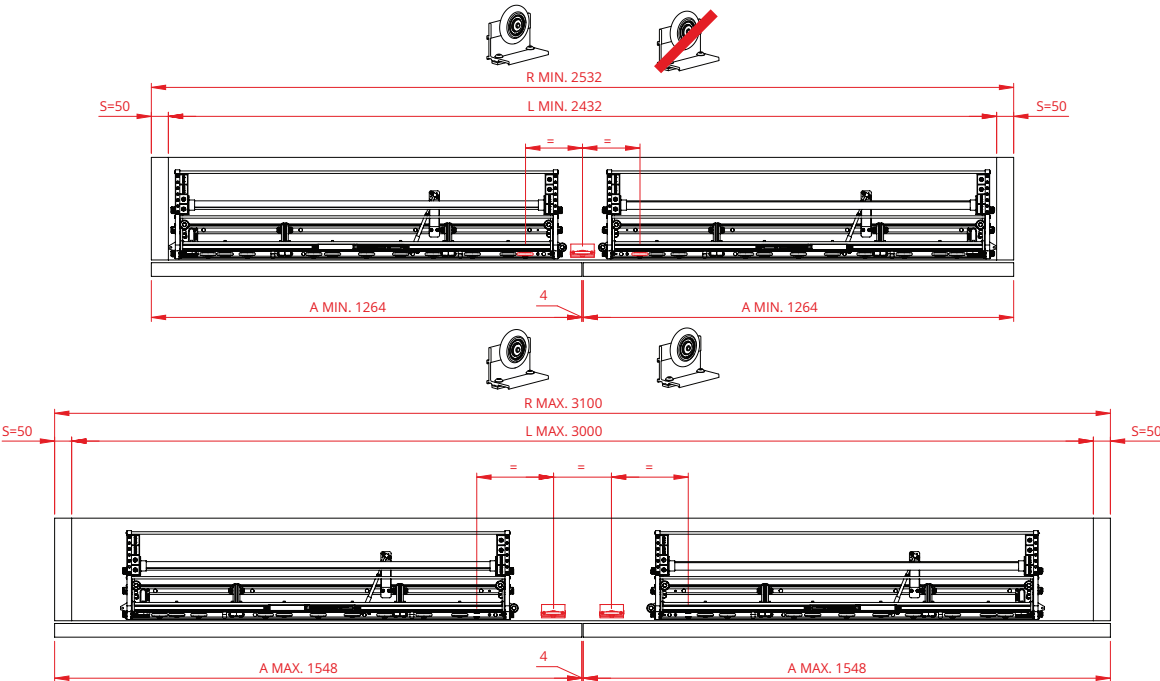
WARDROBE WIDTH - MIN. 2432 mm- MAX. 3050 mm

Coplanar system for cabinets with 2 wooden doors

HOW TO CHOOSE



WARDROBE WIDTH - MIN. 2452 mm - MAX. 3060 mm

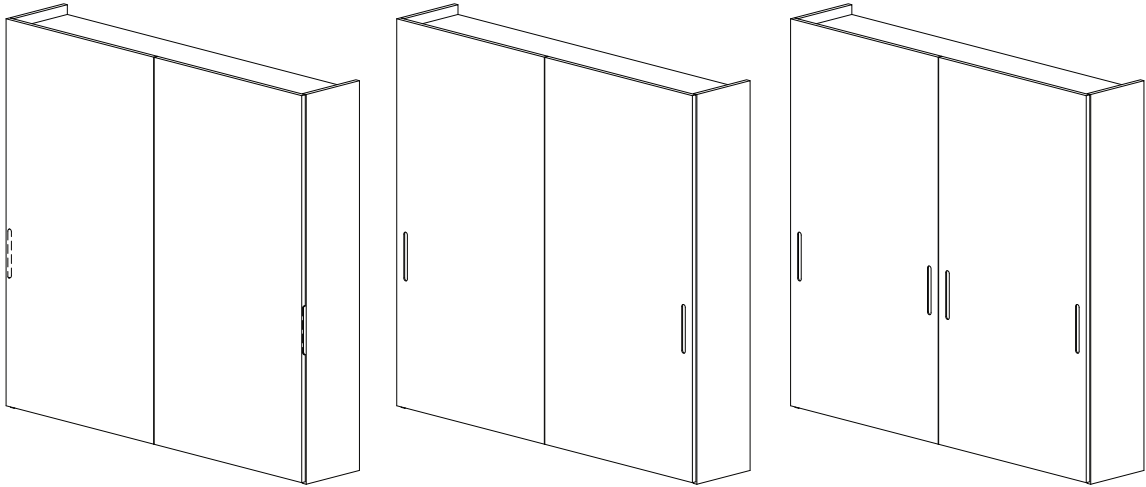


WARDROBE WIDTH - MIN. 2532 mm - MAX. 3100 mm

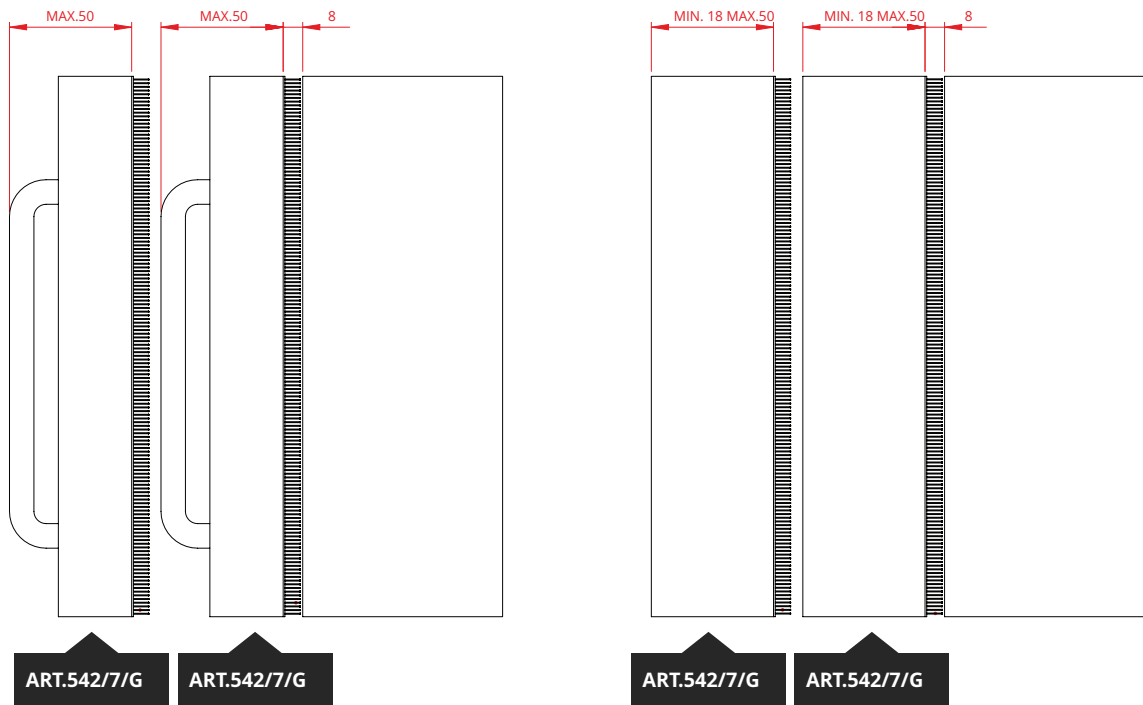


Coplanar system for cabinets with 2 wooden doors

HANDLES



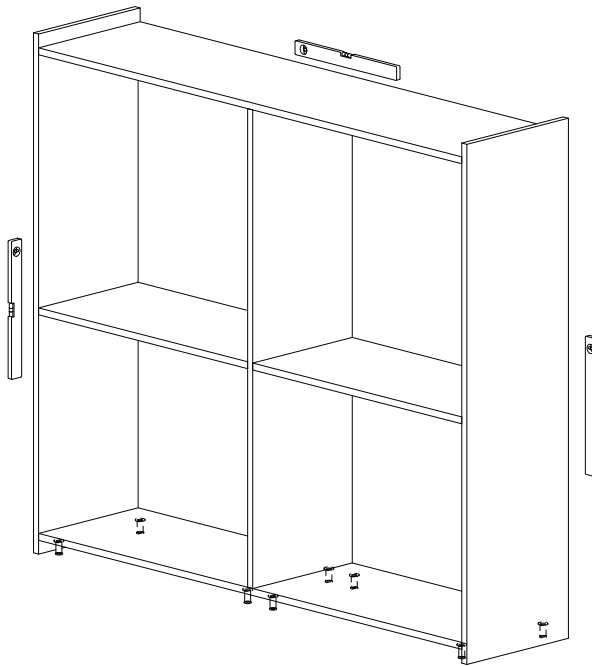
3 ALLOWED CONFIGURATIONS



Coplanar system for cabinets with 2 wooden doors

CABINET LEVELLING

1

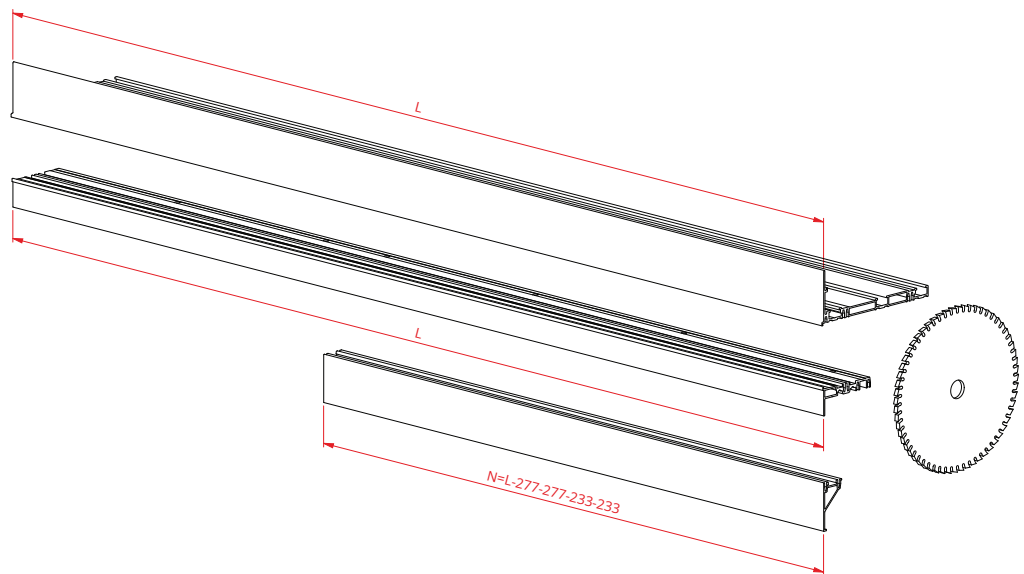


THROUGH THE ADJUSTMENT FEET,
LEVEL THE CABINET IN ALL THE
DIRECTIONS INDICATED



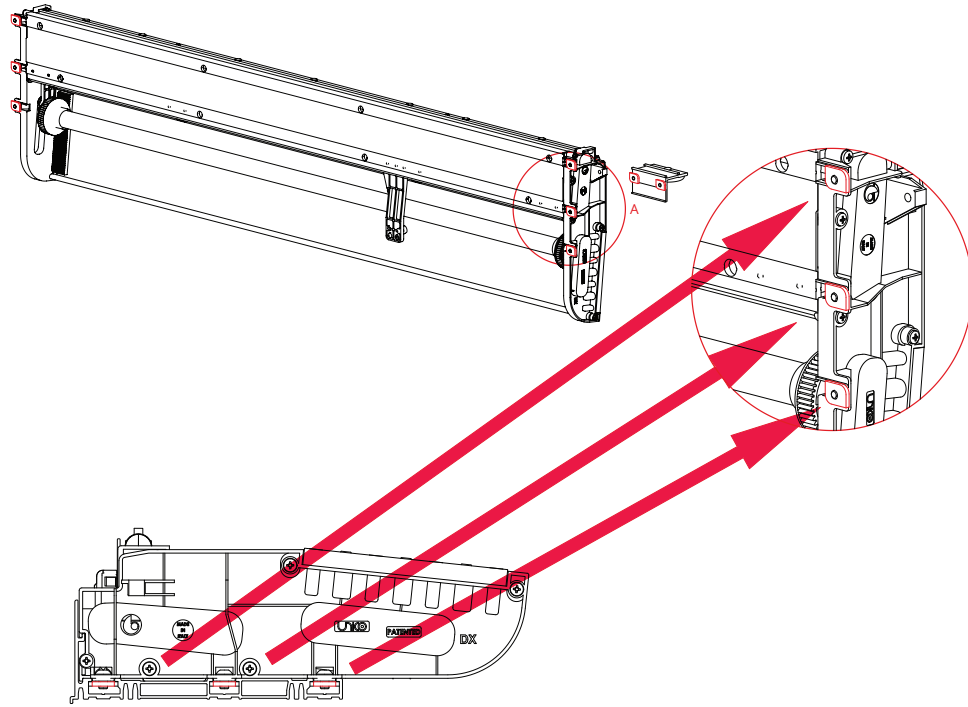
TRACKS CUTTING

2



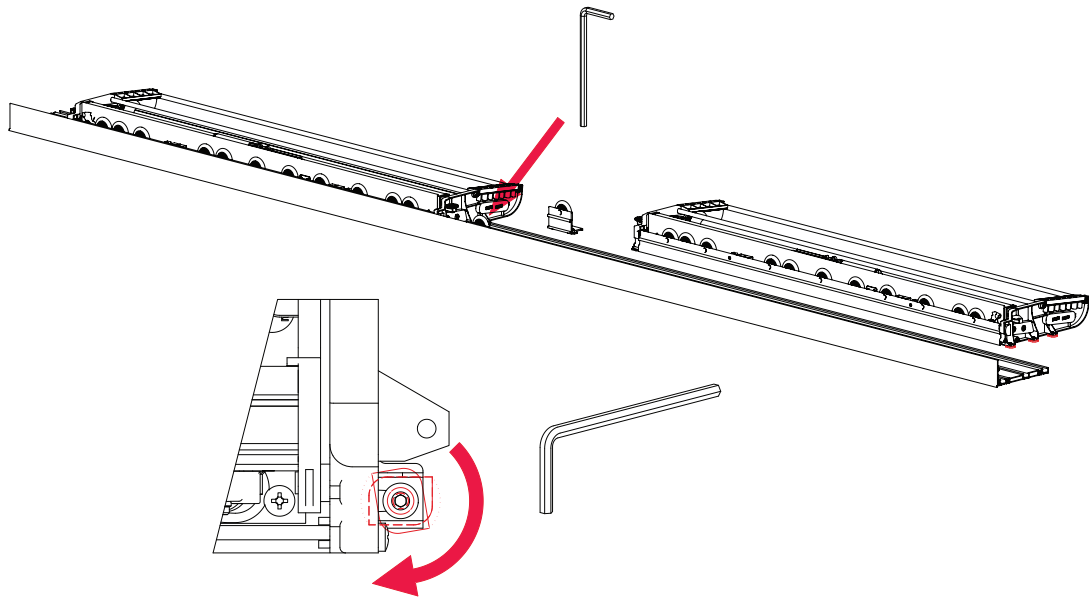
Coplanar system for cabinets with 2 wooden doors

ASSEMBLY OF UPPER MECHANISM



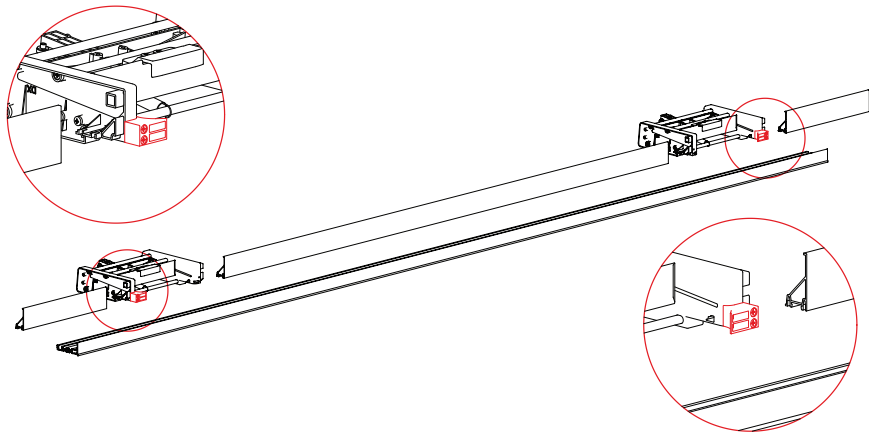
3

PLACE THE 6 FIXING PLATED IN THE 3 GROOVES

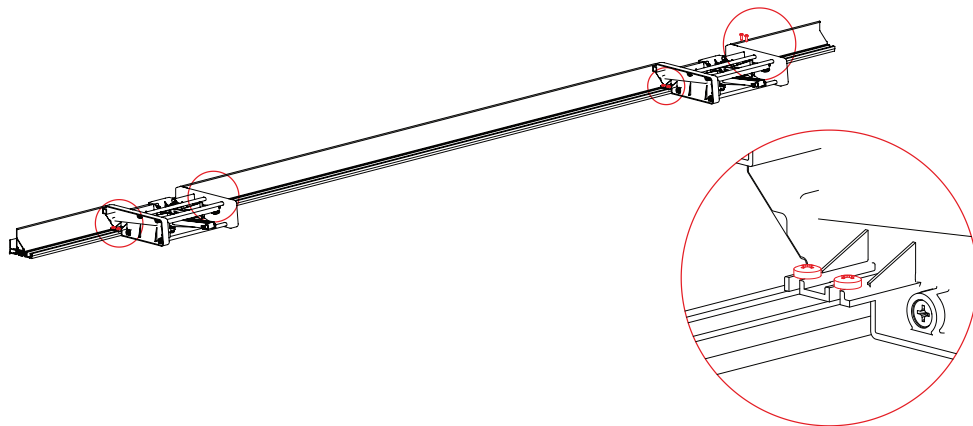


Coplanar system for cabinets with 2 wooden doors

ASSEMBLY OF LOWER MECHANISM

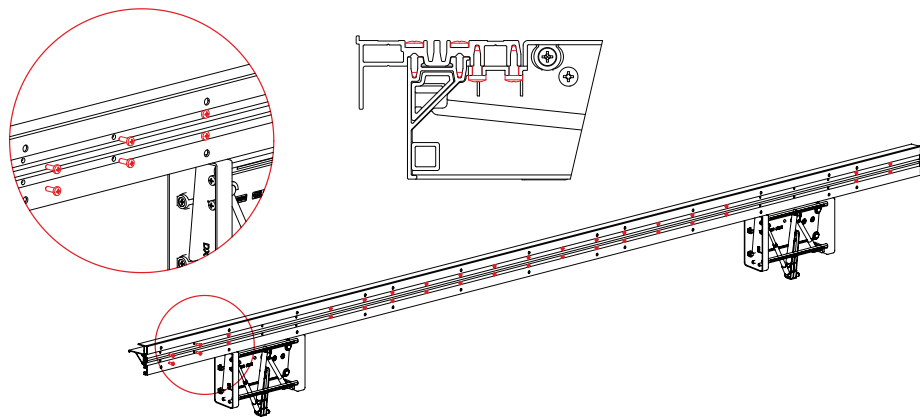


VERIFY THE DIRECTION OF THE ELEMENTS



4

SCREW THE LOWER MECHANISM ON THE ALUMINIUM PROFILE

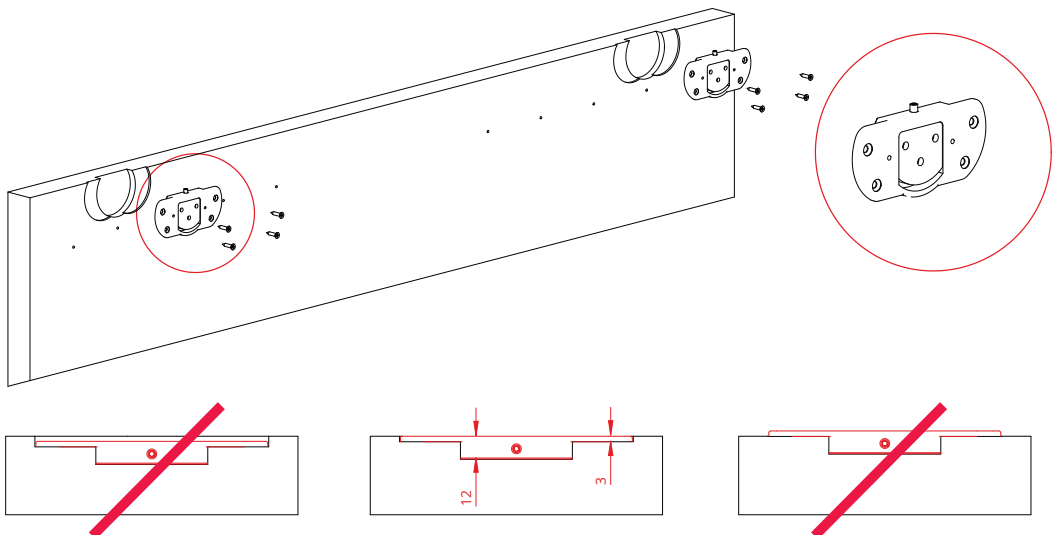


SCREW THE ALUMINIUM PROFILES

Coplanar system for cabinets with 2 wooden doors

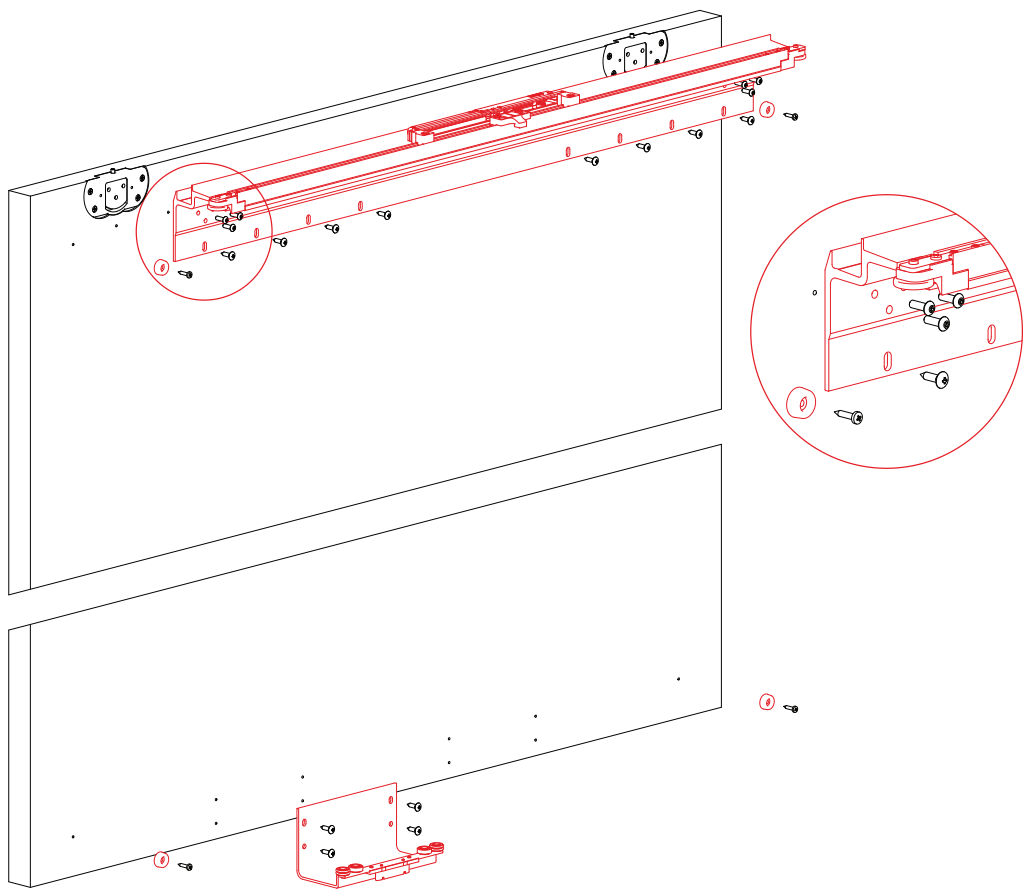
ATTACHMENT OF SLIDING SUPPORTS

5

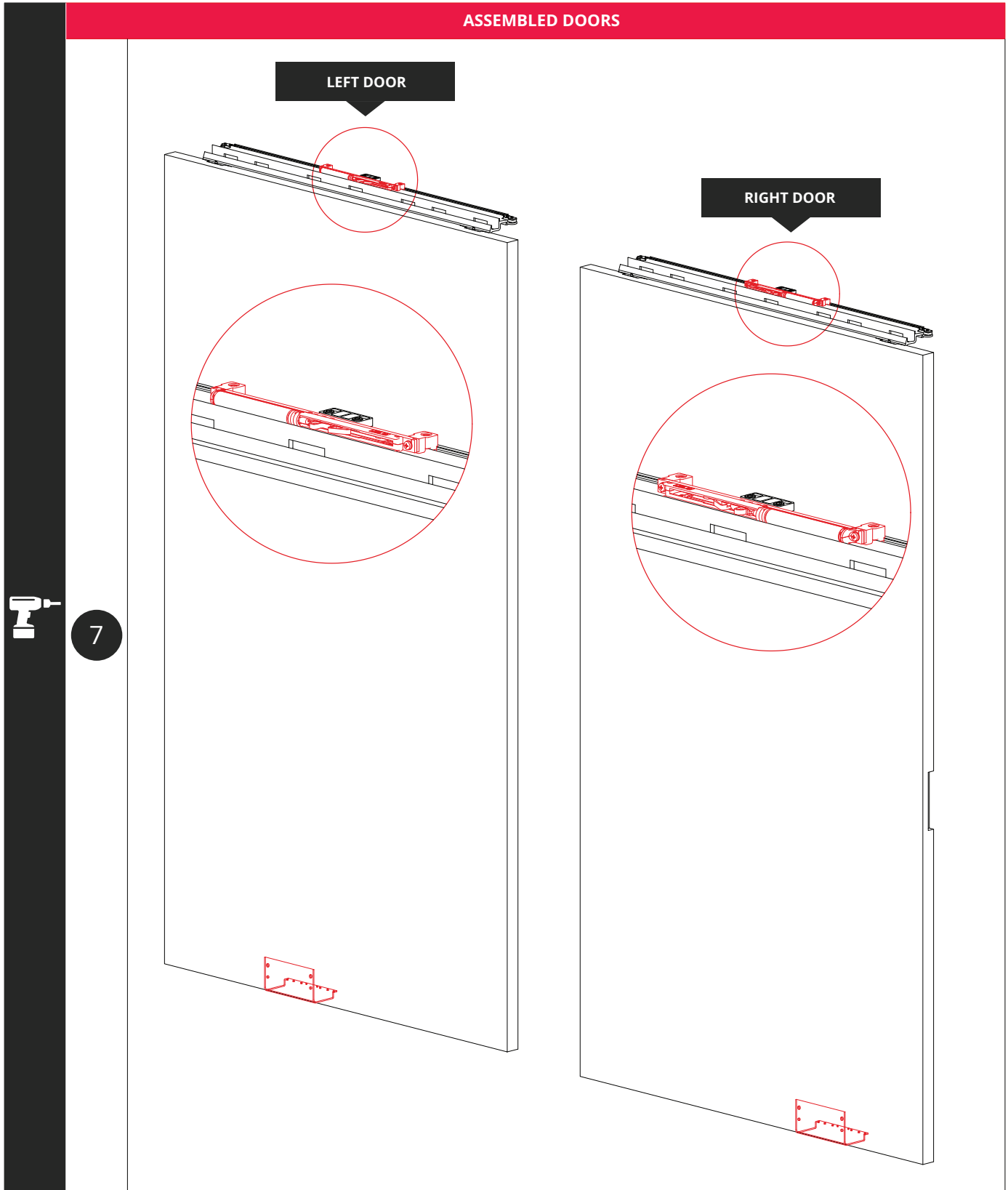


MOUNTING OF UPPER GLIDE AND LOWER GUIDE WITH 4 RUBBERS

6

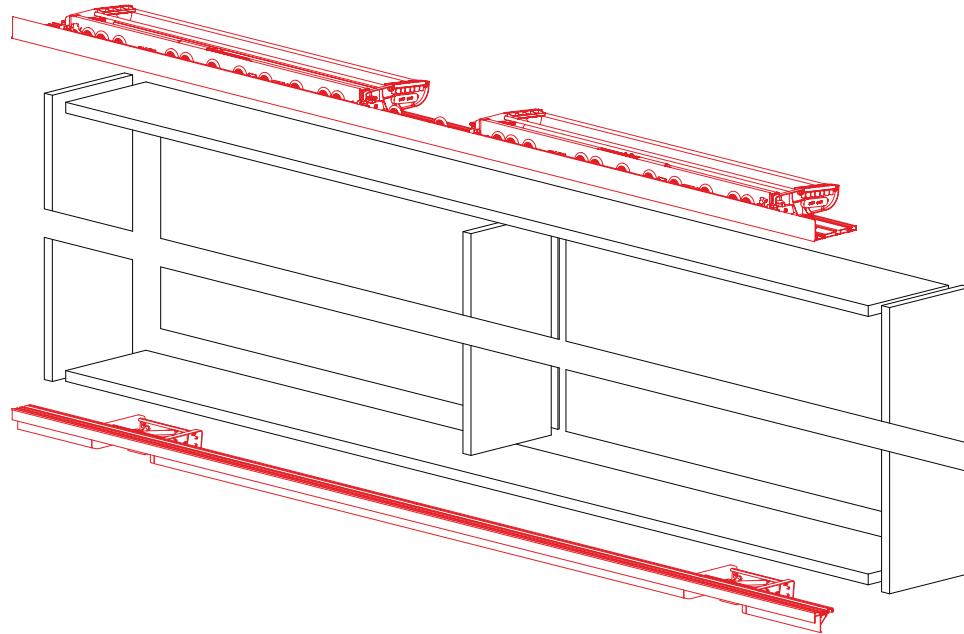


Coplanar system for cabinets with 2 wooden doors

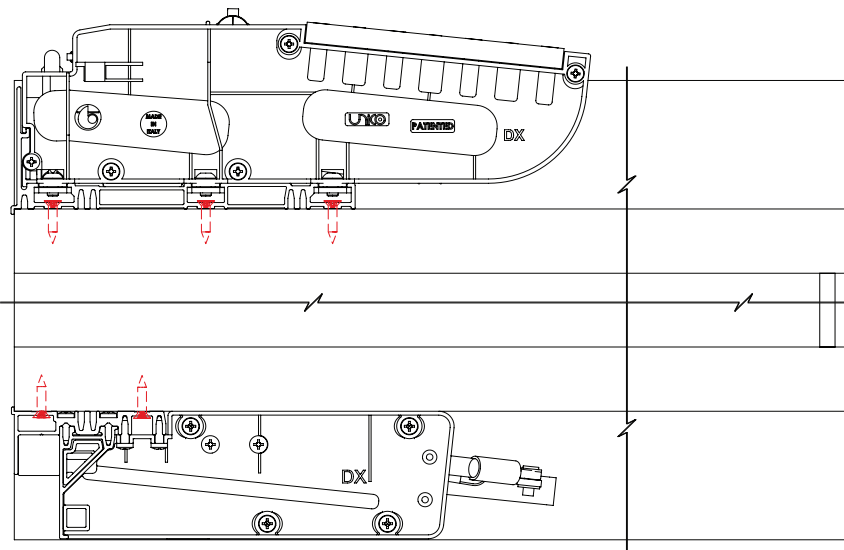


Coplanar system for cabinets with 2 wooden doors

POSITIONING OF MECHANISMS ON THE CABINET



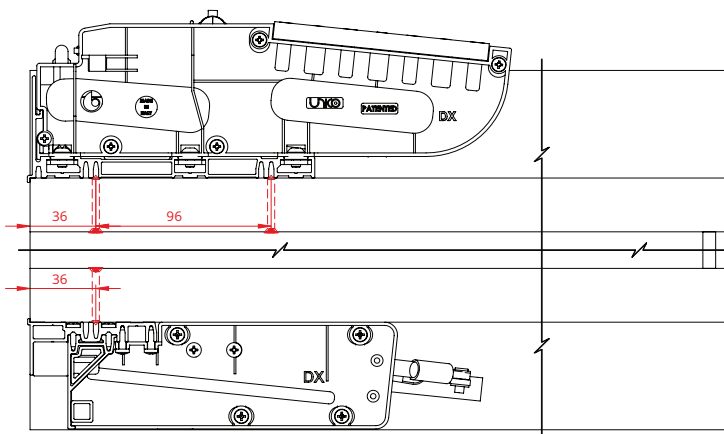
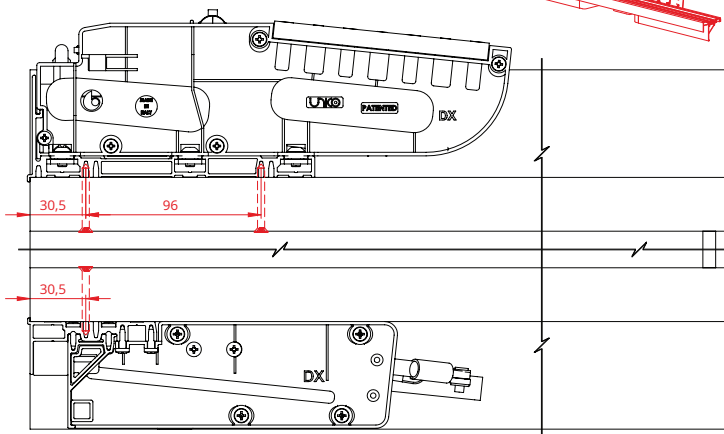
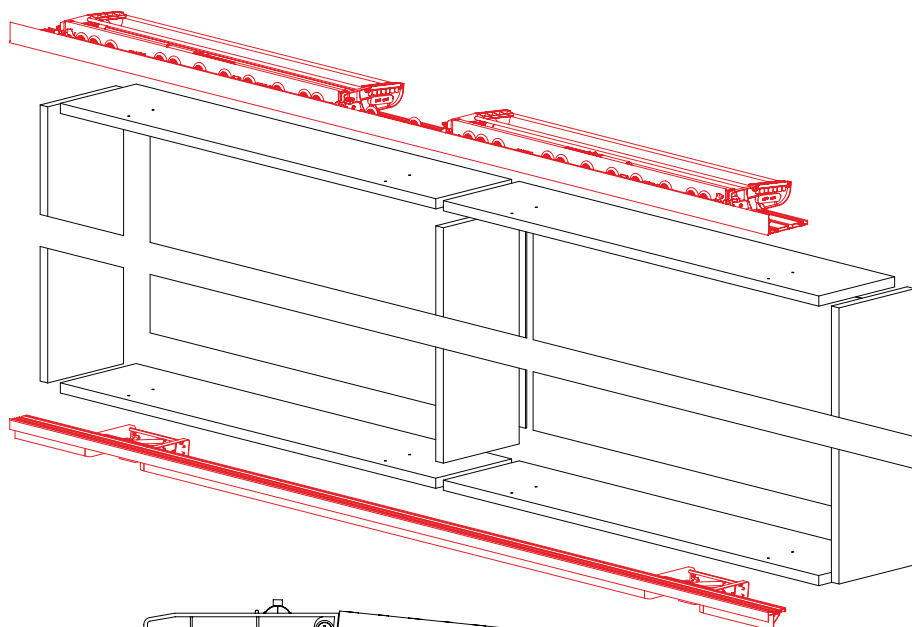
8



CABINET WITH WHOLE TOP AND BASE, WITHOUT HOLES

Coplanar system for cabinets with 2 wooden doors

POSITIONING OF MECHANISMS ON THE CABINET



8

CABINET WITH MODULAR TOP AND BASE, WITH HOLES

Coplanar system for cabinets with 2 wooden doors

