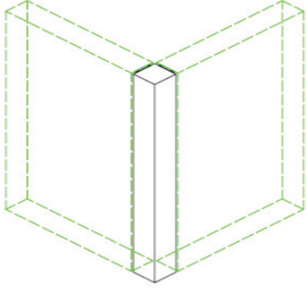


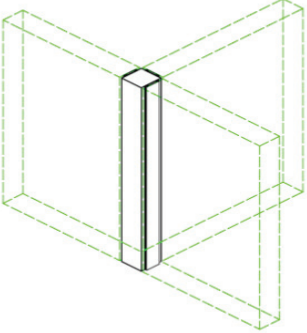
2 WAYS CONNECTION

	DIMENSION (mm)		CODE
	SECTION	HEIGHT	
	(85+4)*(85+4)	H2165	HK85-LCA21
		H2400	HK85-LCA24
		H2700	HK85-LCA27
		H2973	HK85-LCA29

Note:

- 1) 2 ways connection includes 1 square pole.
- 2) It is used to connect two panels together in 90 degrees.

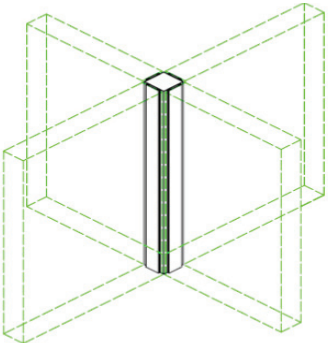
3 WAYS CONNECTION

	DIMENSION (mm)		CODE
	SECTION	HEIGHT	
	(85+8)*(85+4)	H2165	HK85-TCA21
		H2400	HK85-TCA24
		H2700	HK85-TCA27
		H2973	HK85-TCA29

Note:

- 1) 3 ways connection includes 1 square pole.
- 2) It is used to connect 3 panels together, 90 degrees from each other.

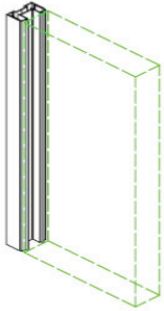
4 WAYS CONNECTION

	DIMENSION (mm)		CODE
	SECTION	HEIGHT	
	(85+8)*(85+8)	H2165	HK85-XCA21
		H2400	HK85-XCA24
		H2700	HK85-XCA27
		H2973	HK85-XCA29

Note:

- 1) 4 ways connection includes 1 square pole.
- 2) It is used to connect 4 panels together, 90 degrees from each other.

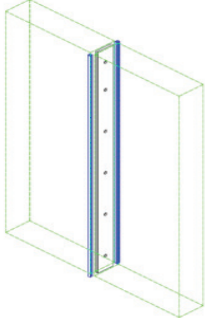
WALL STARTER

	DIMENSION (mm)		CODE
	SECTION	HEIGHT	
	85*55	H2165	HK85-WS21
		H2400	HK85-WS24
		H2700	HK85-WS27
H2973		HK85-WS29	

Note:

- 1) Wall starter includes 1 side groove and 1 side pole.
- 2) It is used to partition start from wall.

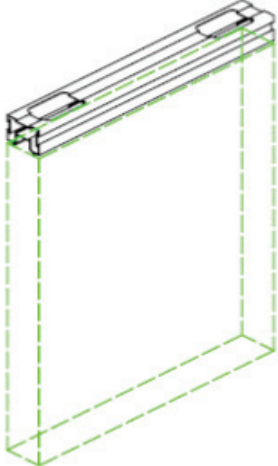
STRAIGHT CONNECTION

	DIMENSION (mm)		CODE
	SECTION	HEIGHT	
	54*8	H2165	HK85-SC21
		H2400	HK85-SC24
		H2700	HK85-SC27
H2973		HK85-SC29	

Note:

- 1) straight connection includes 1 aluminum section and 2 plastic seals.
- 2) It is used to connect 2 panels together, 180 degrees from each other.

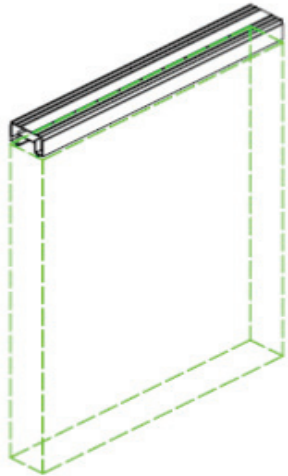
TOP BAR CONNECTION

	DIMENSION (mm)		CODE
	SECTION	HEIGHT	
	85*69	450	HK85-DC04
		500	HK85-DC05
		600	HK85-DC06
		750	HK85-DC07
		800	HK85-DC08
		900	HK85-DC09
		1050	HK85-DC10
		1200	HK85-DC12
		1500	HK85-DC15
		1600	HK85-DC16
		1800	HK85-DC18
		2100	HK85-DC21
		2400	HK85-DC24
2700		HK85-DC27	
3600	HK85-DC36		
6000	HK85-DC60		

Note:

- 1) Top bar connection is included the top bar and connectors for the two sides.
- 2) It is used to connect partitions not up to ceiling.

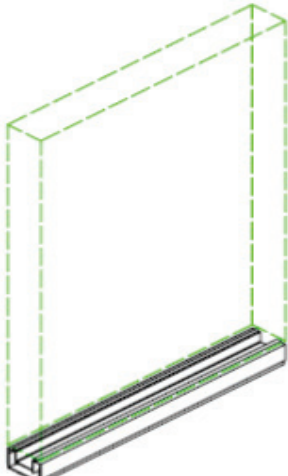
CEILING CONNECTION

	DIMENSION (mm)		CODE
	SECTION	HEIGHT	
	85*55	450	HK85-DC04
		500	HK85-DC05
		600	HK85-DC06
		750	HK85-DC07
		800	HK85-DC08
		900	HK85-DC09
		1050	HK85-DC10
		1200	HK85-DC12
		1500	HK85-DC15
		1600	HK85-DC16
		1800	HK85-DC18
		2100	HK85-DC21
		2400	HK85-DC24
		2700	HK85-DC27
		3600	HK85-DC36
6000	HK85-DC60		

Note:

- 1) Ceiling connection includes 1 U groove and 1 adjusted section.
- 2) It is used to connect partitions with ceiling.

BOTTOM CONNECTION

	DIMENSION (mm)		CODE
	SECTION	HEIGHT	
	85*55	450	HK85-DC04
		500	HK85-DC05
		600	HK85-DC06
		750	HK85-DC07
		800	HK85-DC08
		900	HK85-DC09
		1050	HK85-DC10
		1200	HK85-DC12
		1500	HK85-DC15
		1600	HK85-DC16
		1800	HK85-DC18
		2100	HK85-DC21
		2400	HK85-DC24
		2700	HK85-DC27
		3600	HK85-DC36
6000	HK85-DC60		

Note:

- 1) Bottom connection includes 1 bottom groove and bottom pole.
- 2) It is used to connect partitions with floor.