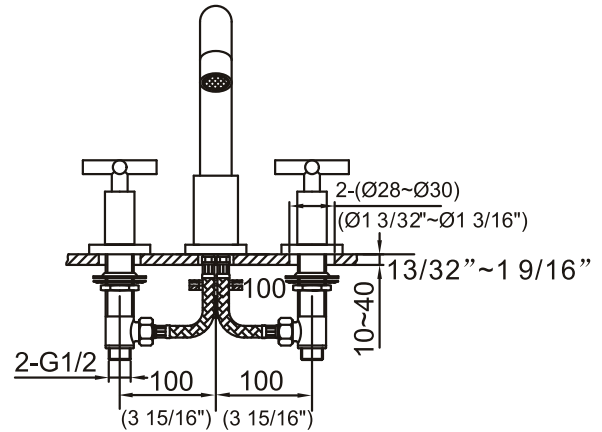
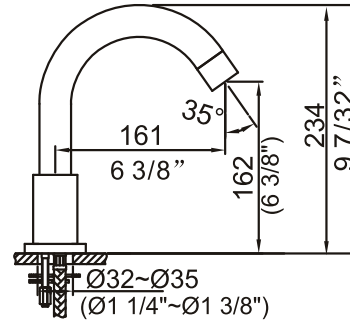


40 211-CR

UPGRADE OPTION 1 (BATH)



Double Handle 3 Hole Lavatory Faucet

Features:

- ▶ Ceramic Disk Cartridge
- ▶ Braided supply lines included
- ▶ Flow Rate: 1.5~2.2 GPM
- ▶ Factory pressure tested
- ▶ cUPC Certified

Available Finishes:

- ▶ Polished Chrome

