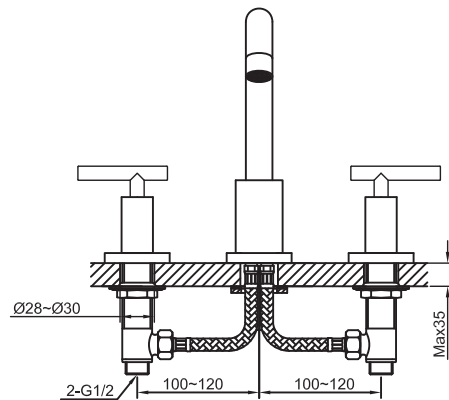
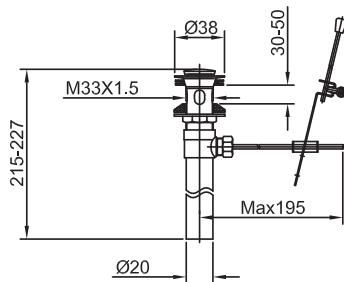
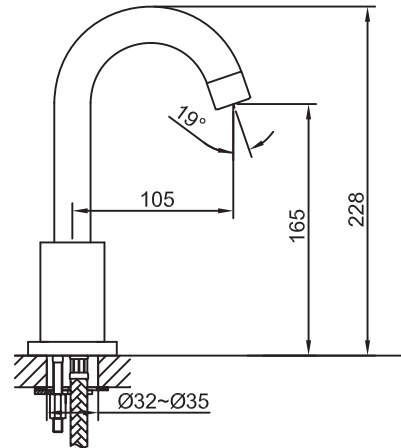


38 211-CR



Double Handle 3 Hole Lavatory Faucet

Features:

- ▶ Double handle rotational function
- ▶ Ceramic Disk Cartridge
- ▶ Braided supply lines included
- ▶ Flow Rate: 1.5~2.2 GPM
- ▶ Factory pressure tested
- ▶ cUPC Certified

Available Finishes:

- ▶ Polished Chrome

