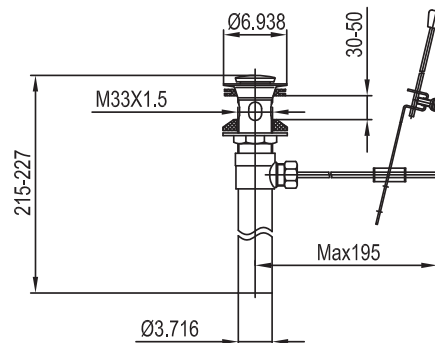
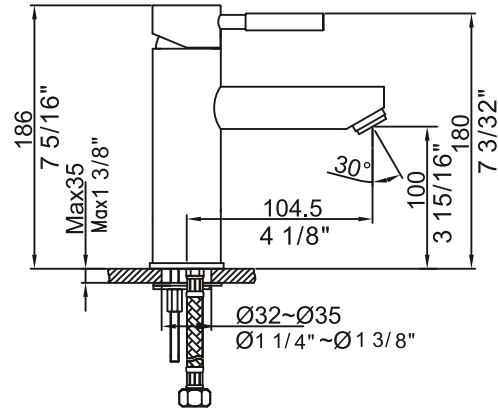


34 119/1-CR



Single Lever Concealed Washbasin Mixer

Features:

- ▶ Single lever multi function
- ▶ Ceramic Disk Cartridge
- ▶ Pop up drain assembly and braided supply lines included
- ▶ Flow Rate: 1.5~2.2 GPM
- ▶ Factory pressure tested
- ▶ cUPC Certified

Available Finishes:

- ▶ Polished Chrome

