

LINEAR

INTERIOR SYSTEMS INC.

Vetro Fisso

Systems for fixed glass panels
Sistemi per vetri fissi



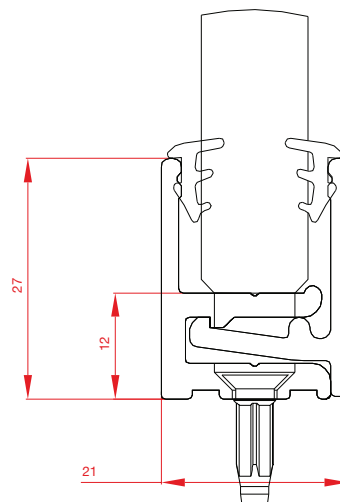
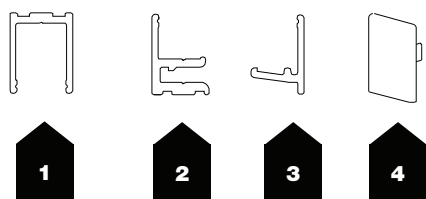
Vetro Fisso

Profiles and accessories for fixed glass panels walls and compartments.

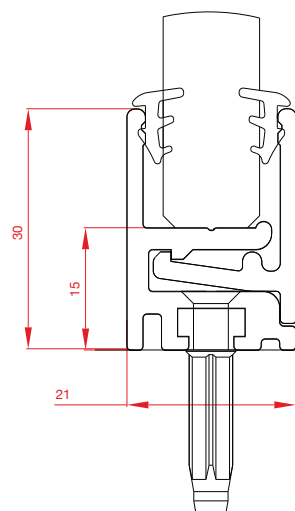
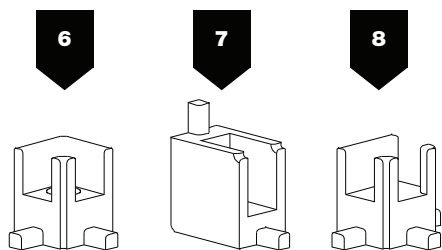
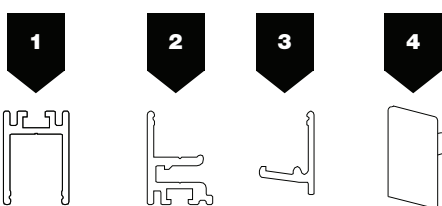
Profili e accessori per la realizzazione di vetrate e vani fissi.



PROFILE HEIGHT 27 mm / ALTEZZA PROFILO 27 mm



PROFILE HEIGHT 30 mm / ALTEZZA PROFILO 30 mm



N°	Barcode	Image	kg		N°	Barcode	Image	kg	
1	1772 8 01 0.01772		—	Profile height Altezza profilo 27 mm	5	328 8 21 0.00328		—	Glass thk. Vetri sp. 8-8,7 mm (5/16")
	1773 8 01 0.01773		—	Profile height Altezza profilo 30 mm		326 8 21 0.00326		—	Glass thk. Vetri sp. 10-10,7 mm (3/8")
2	1774 8 01 2.01774		—	Profile height Altezza profilo 27 mm	6	324 8 21 0.00324		—	Glass thk. Vetri sp. 12-12,7 mm (1/2")
	1775 8 01 2.01775		—	Profile height Altezza profilo 30 mm		1777 S.1777/A		—	Profile height Altezza profilo 30 mm
3	1776 8 01 0.01776		—		7	1779 S.1779/A		—	Profile height Altezza profilo 30 mm
4	1784/A/2 C.1784/A/2		—	Profile height Altezza profilo 27 mm		8	1778 S.1778/A		—
	1794/A/2 C.1794/A/2		—	Profile height Altezza profilo 30 mm					

Tracks / Binari

ALUMINUM FINISHES CODES / CODICI FINITURE ALLUMINIO



CODE / CODICE

FINISH COLOR / COLORE FINITURA

8 01 0.0

01 A

Anodized Silver / Argento

STANDARD

Tracks / Binari

PLASTIC FINISHES CODES / CODICI FINITURE PLASTICA



CODE / CODICE

FINISH COLOR / COLORE FINITURA

8 20 0.0

20

Rigid Transparent / Trasparente Rigido

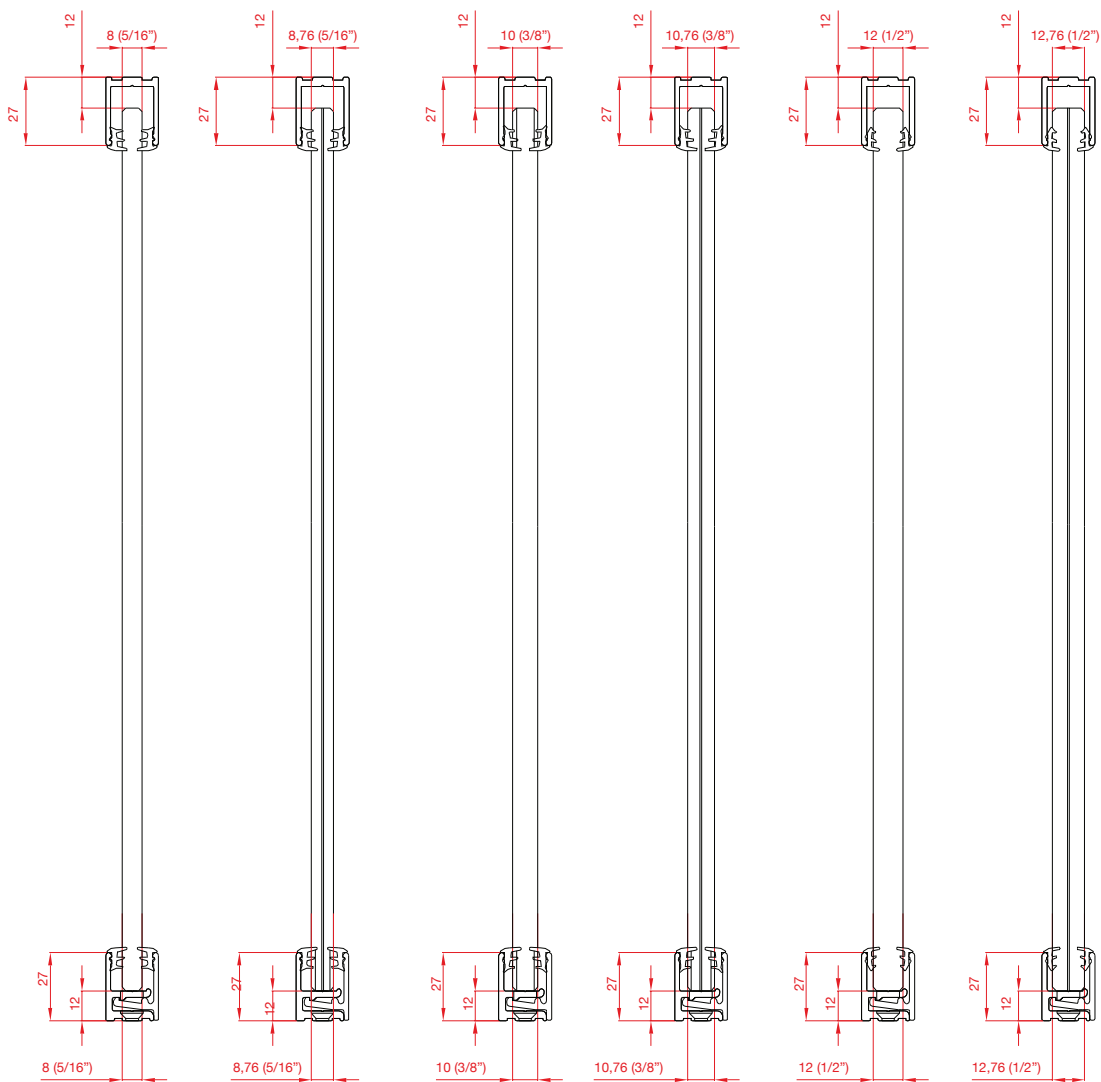
8 21 0.0

21

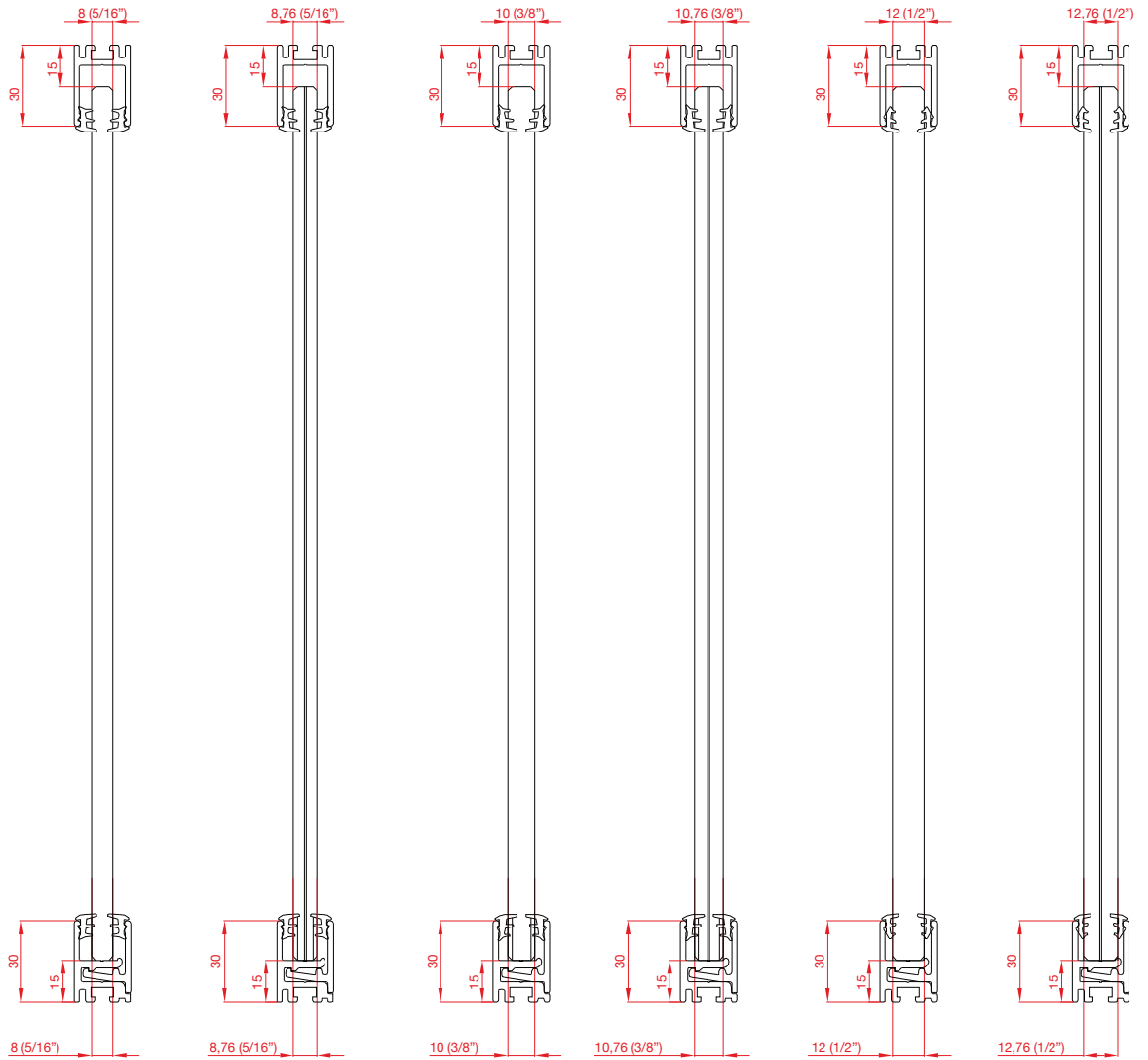
Soft Transparent / Trasparente Morbido

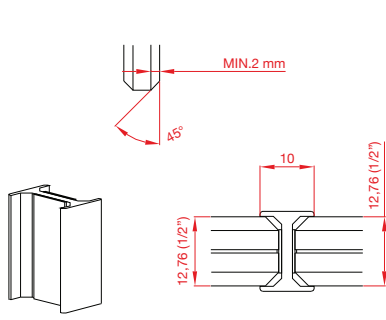
STANDARD

MEASUREMENTS DESCRIPTION - PROFILE HEIGHT 27 mm / DESCRIZIONI MISURE - ALTEZZA PROFILO 27 mm

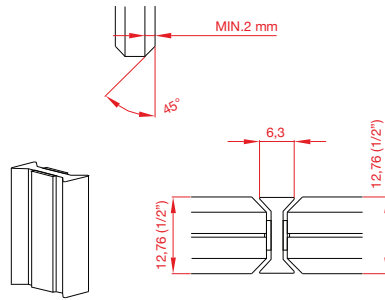


MEASUREMENTS DESCRIPTION - PROFILE HEIGHT 30 mm / DESCRIZIONI MISURE - ALTEZZA PROFILO 30 mm

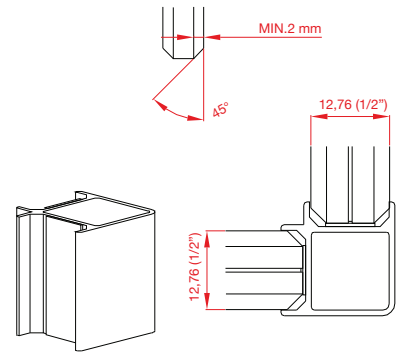




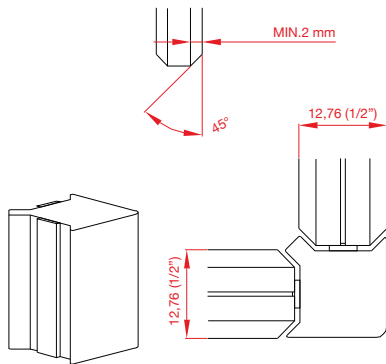
ART. 1741
 8 20 0.01741



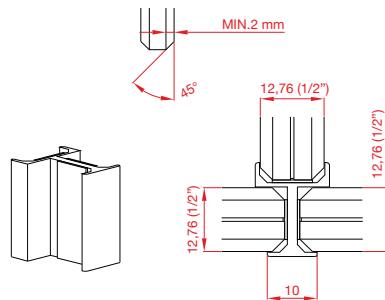
ART. 1781
 8 20 0.01781



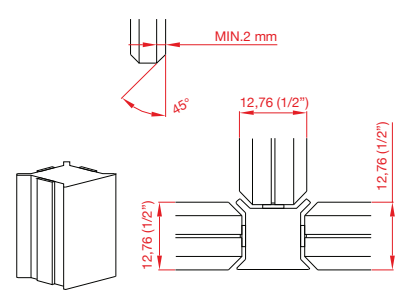
ART. 1745
 8 20 0.01745



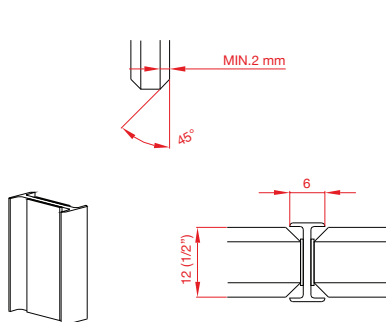
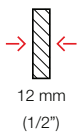
ART. 1785
 8 20 0.01785



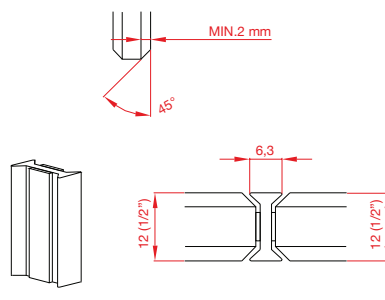
ART. 1743
 8 20 0.01743



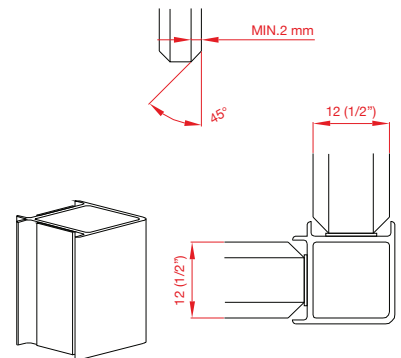
ART. 1783
 8 20 0.01783



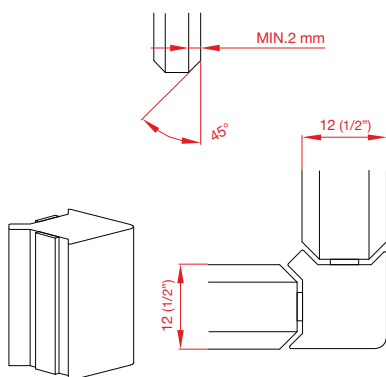
ART. 1747
 8 20 0.01747



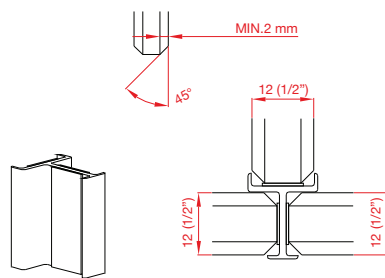
ART. 1787
 8 20 0.01787



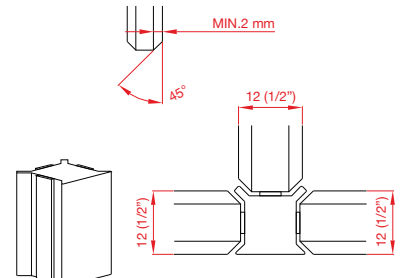
ART. 1749
 8 20 0.01749



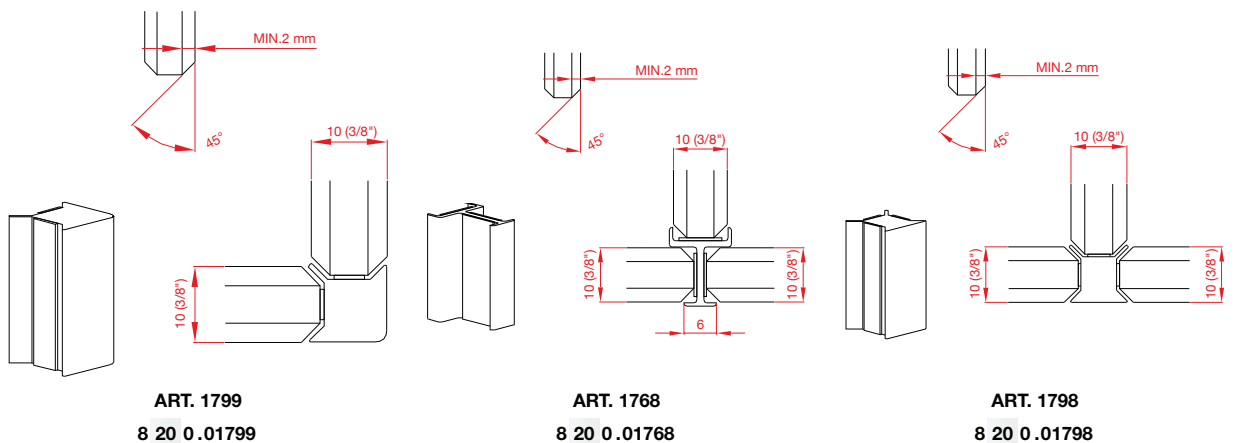
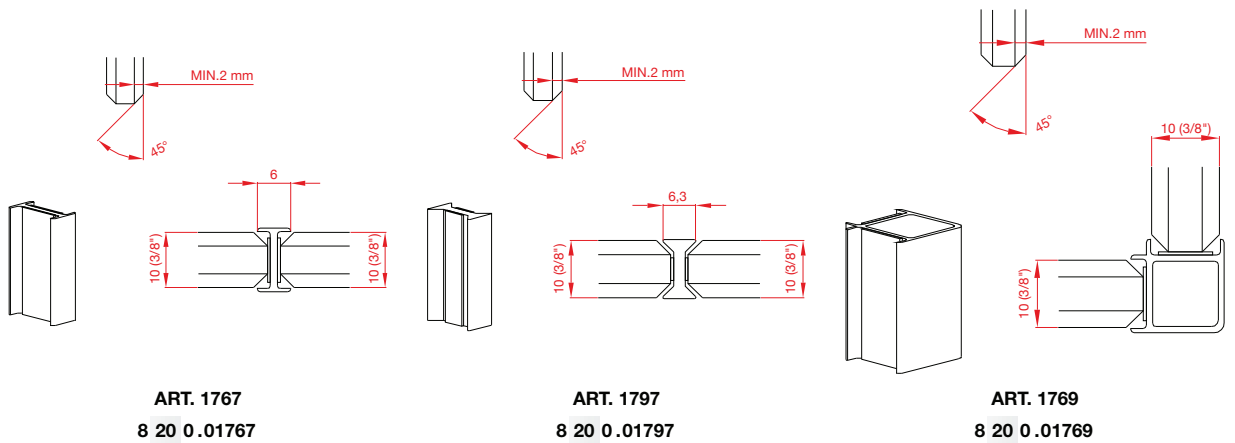
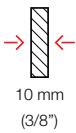
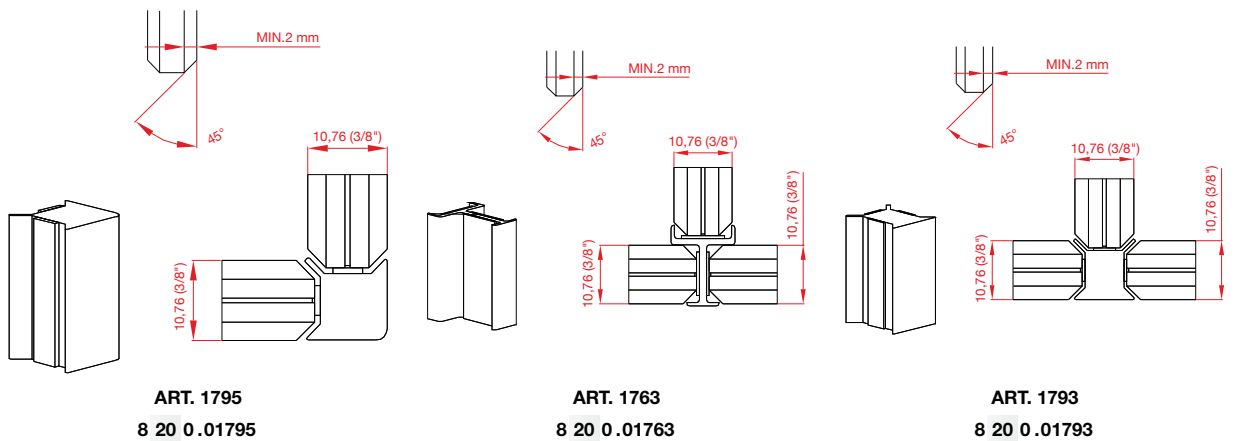
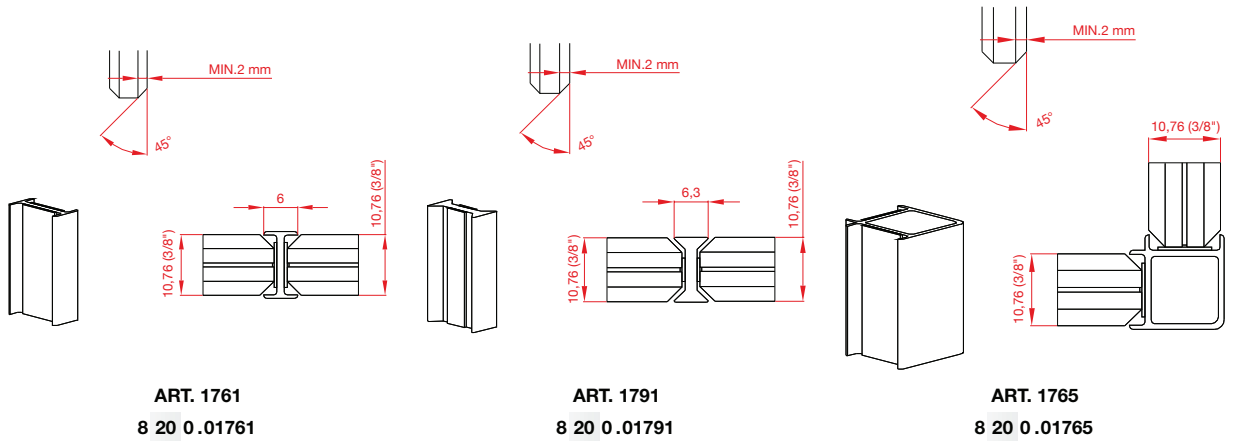
ART. 1789
 8 20 0.01789



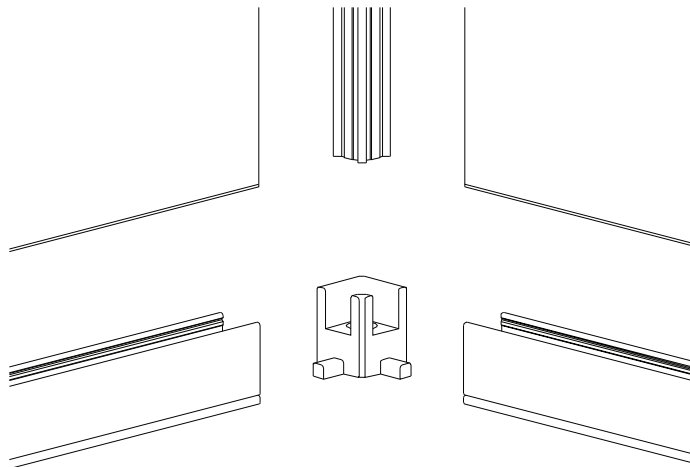
ART. 1748
 8 20 0.01748



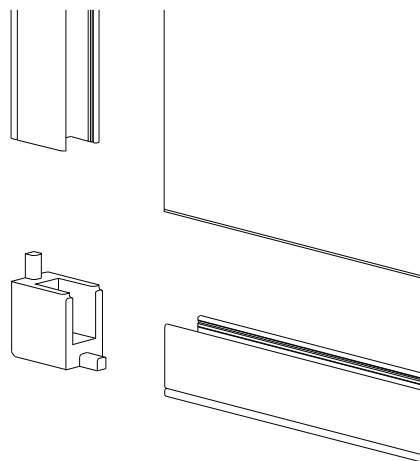
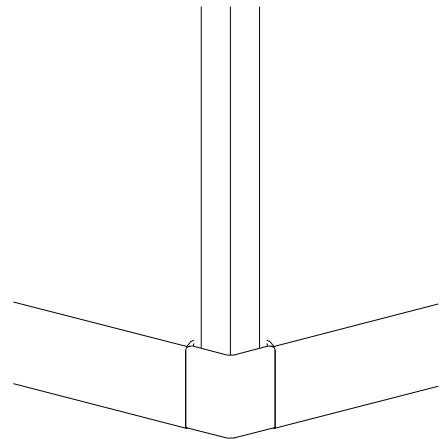
ART. 1788
 8 20 0.01788



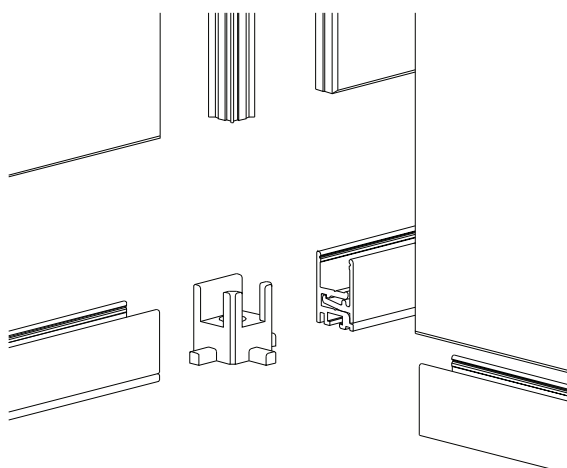
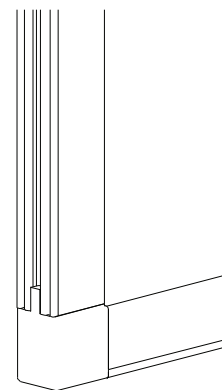
JOINTS ASSEMBLING / MONTAGGIO GIUNZIONI



ART. 1777



ART. 1779



ART. 1778



LINEAR

INTERIOR SYSTEMS INC.

1 SARAMIA CRESCENT
CONCORD, ON, L4K 3S6
CANADA

T: 905.265.0055 | INFO@LINEARINTERIORSYSTEMS.COM