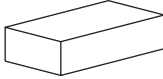

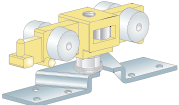
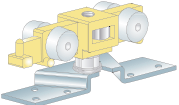
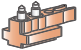


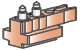
FOR DOORS MIN 700 MM/28" **KIT IN BOX** 

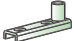
160SR 


Art.116/T



Art.116/T

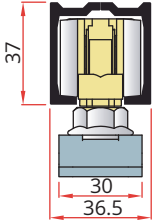
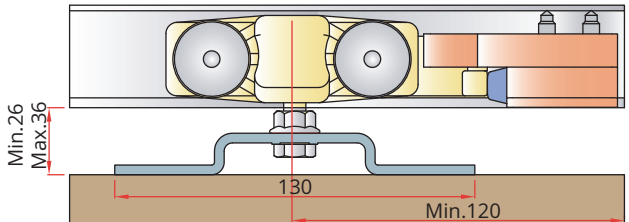

Art.1163


Art.1163


Art.124

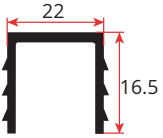
STANDARD TRACKS


 Art.1160

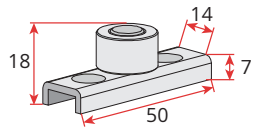
SIZE DESCRIPTION	SIDE VIEW TOP OF DOOR
	

OPTIONALS

ART.1586
ALUMINUM GUIDE



ART.1587
ROLLER GUIDE



SPECIFICATION

STANDARD TRACK	TRACK LENGTH	SLIDING KIT	FOR BI PARTING	OPTIONAL KIT	OPTIONAL GUIDES
1160	60"	160S R	2 DR	SIM OP	1586-1587
1160	64"	160S R	2 DR	SIM OP	1586-1587
1160	72"	160S R	2 DR	SIM OP	1586-1587
1160	84"	160S R	2 DR	SIM OP	1586-1587
1160	96"	160S R	2 DR	SIM OP	1586-1587
1160	120"	160S R	2 DR	SIM OP	1586-1587