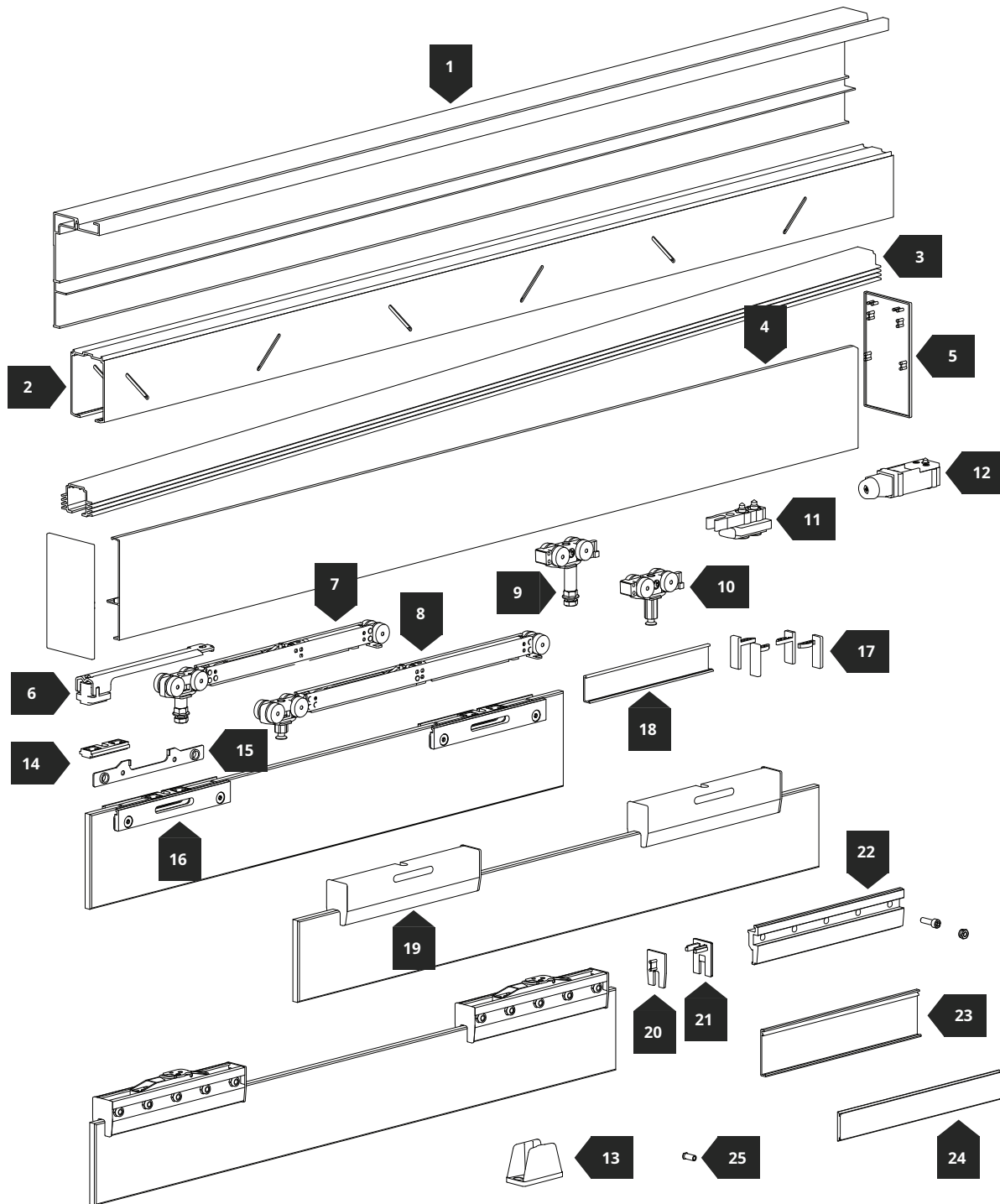


## Selfie

Systems for doors with automatic closure



8/8.7 mm ÷ 12/12.7 mm

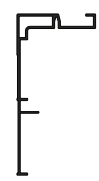

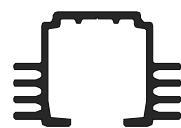



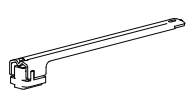



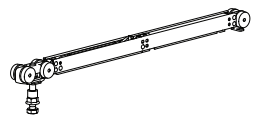
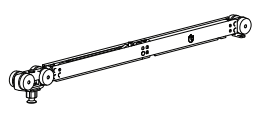
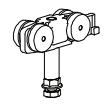
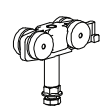
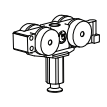
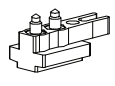
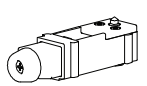
Max 80 kg





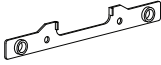
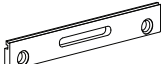
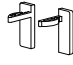
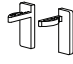

Min. 650 - Max. 1200 mm

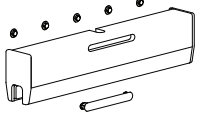
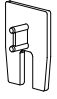
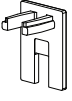
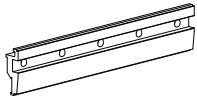
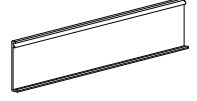


Systems for doors with automatic closure

#	Barcode		KG	
1	2430		80	
2	2410		80	
3	2400		80	
4	2420		80	
5	2412		80	
	2414		80	
6	1674		80	

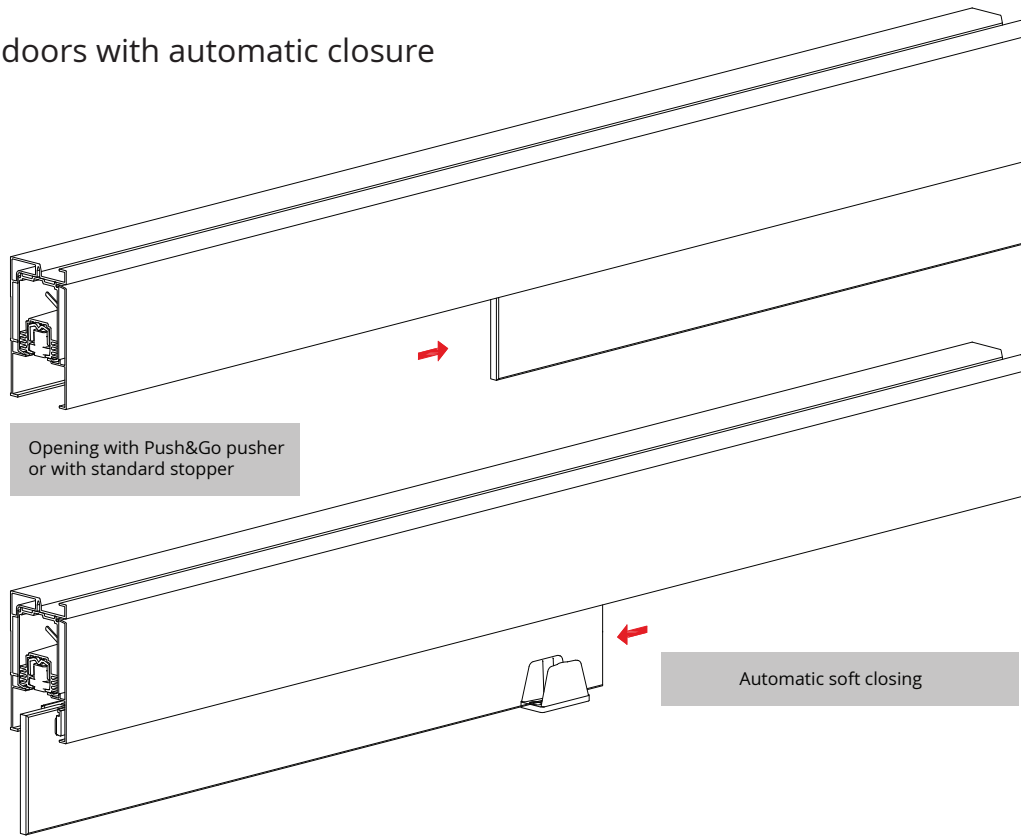
#	Barcode		KG	
7	2404/V24		80	
	2404/P		80	
8	2404/V40		80	
9	2402/V24		80	
	2402/P		80	
10	2402/V40		80	
11	84		80	
12	101/120/G		80	

## Systems for doors with automatic closure

#	Barcode		KG	
13	2405		80	For glass 8-8.7 mm (5/16")
	2407		80	For glass 10-10.7 mm (3/8")
	2409		80	For glass 12-12.7 mm (1/2")
14	1714		80	
15	1723/8		80	For glass 8-8.7 mm (5/16")
	1723/10		80	For glass 10-10.7 mm (3/8")
16	1724/V/A		80	
	1724/V/B		80	
17	1722/8/A		80	For glass 8-8.7 mm (5/16")
	1722/8/AL		80	
	1722/8/AT		80	
	1722/10/A		80	For glass 10-10.7 mm (3/8")
	1722/10/AL		80	
	1722/10/AT		80	
18	1725/170/A		80	
	1725/170/AL		80	
	1725/170/AT		80	

#	Barcode		KG	
19	1780/08		80	For glass 8-8.7 mm (5/16")
	1780/10		80	For glass 10-10.7 mm (3/8")
	1780/12		80	For glass 12-12.7 mm (1/2")
20	1731		80	For glass 8-8.7 mm (5/16")
	1733		80	For glass 10-10.7 mm (3/8")
	1737		80	For glass 12-12.7 mm (1/2")
21	1701/8		80	For glass 8-8.7 mm (5/16")
	1701/10		80	For glass 10-10.7 mm (3/8")
	1701/12		80	For glass 12-12.7 mm (1/2")
22	1712		80	
23	1703		80	
24	1707		80	For glass 8-8.7 mm (5/16")
	1704		80	For glass 10-10.7 mm (3/8")
	1705		80	For glass 12-12.7 mm (1/2")
25	1721		80	

Systems for doors with automatic closure



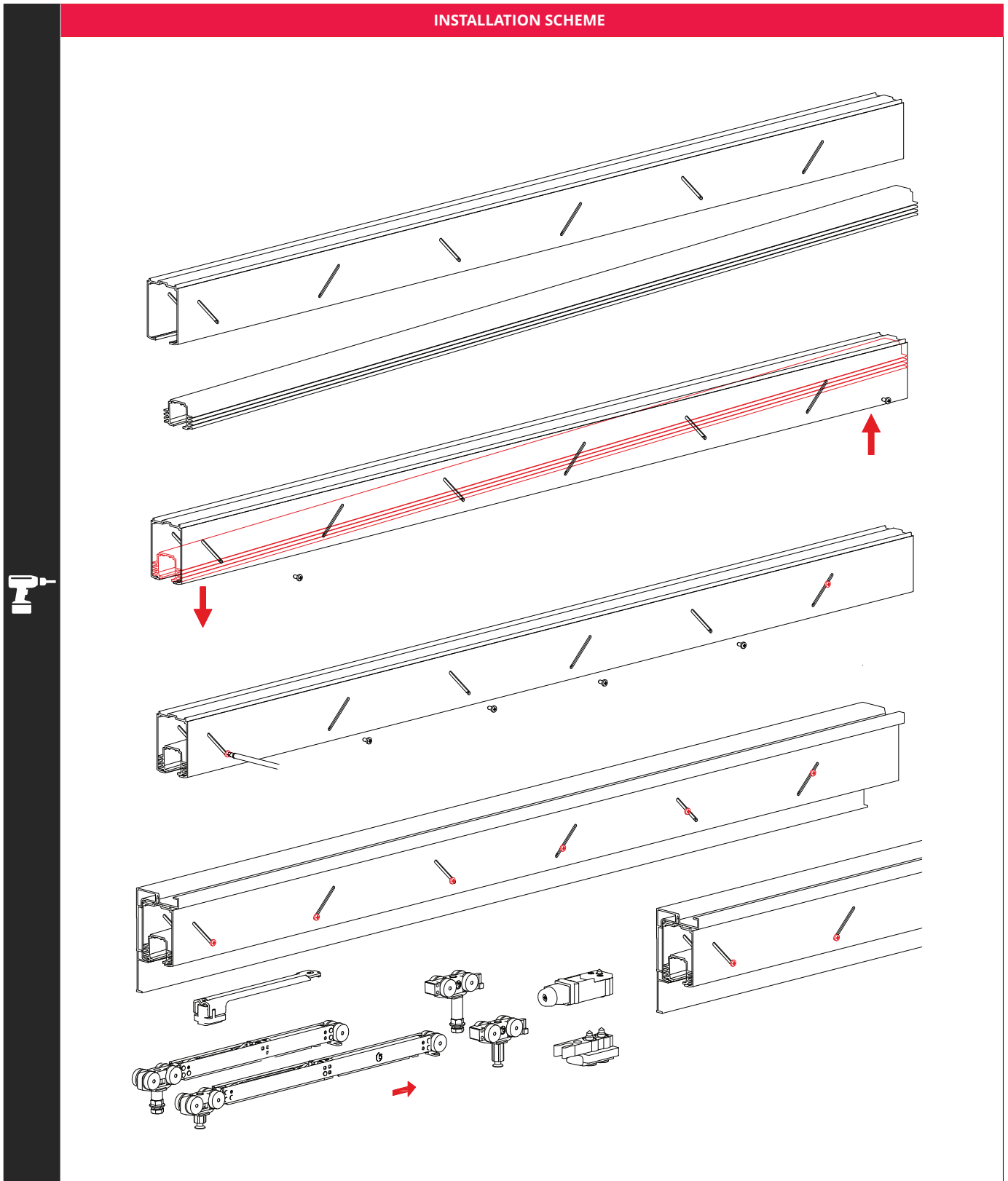
**WALL AND CEILING VERSIONS**

**ALUMINIUM TRACKS**

ART. 2430	ART. 2410	ART. 2420	ART. 2400

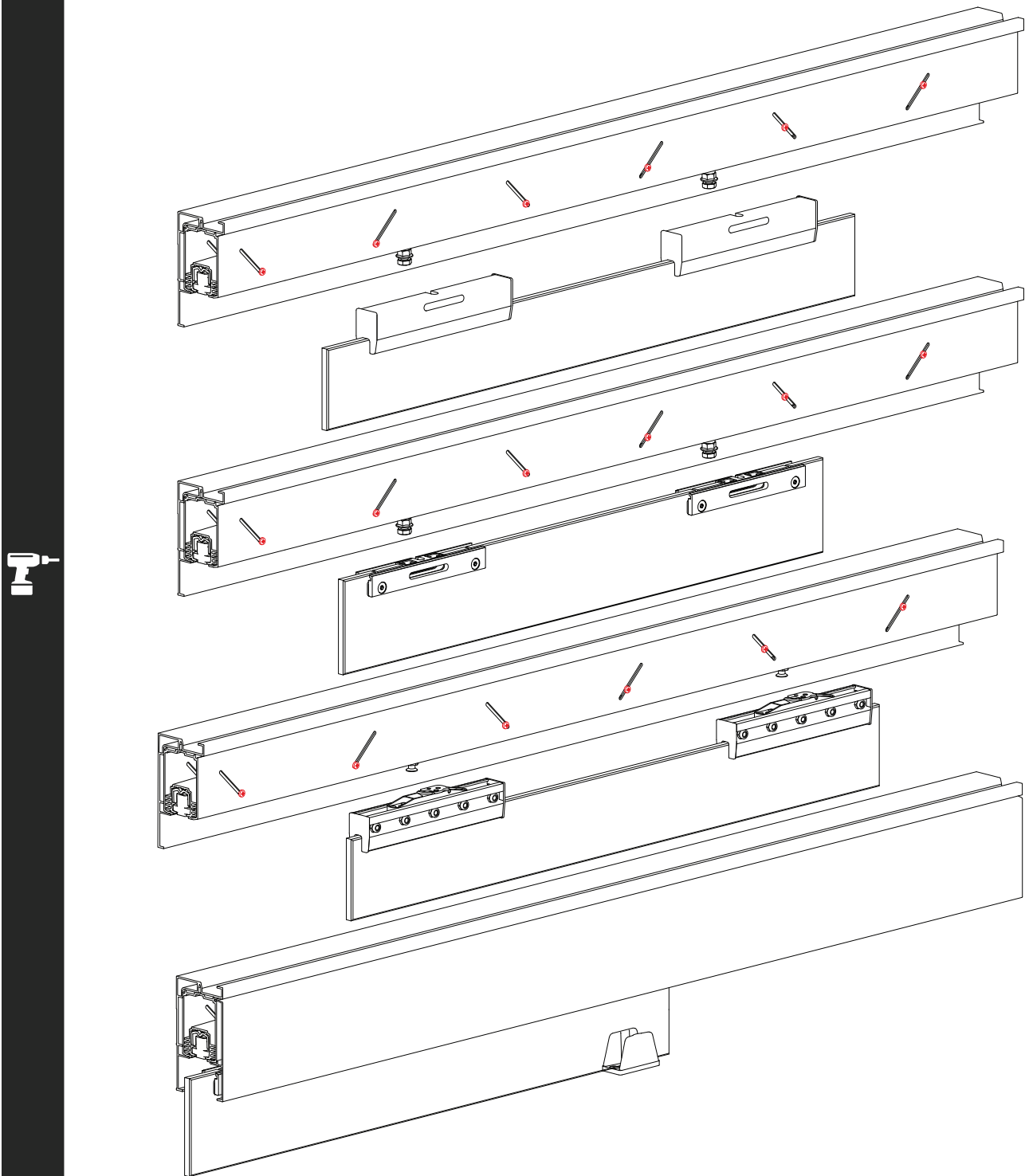
Systems for doors with automatic closure

INSTALLATION SCHEME







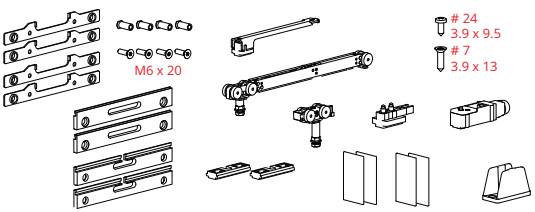
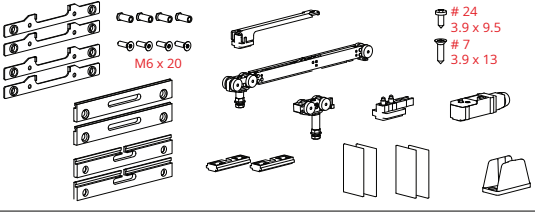
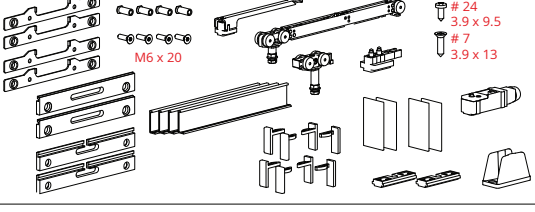
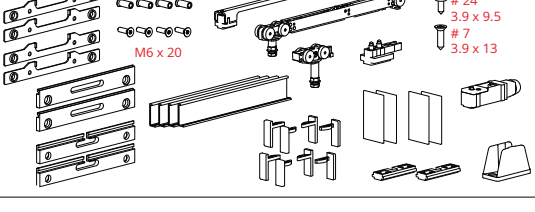
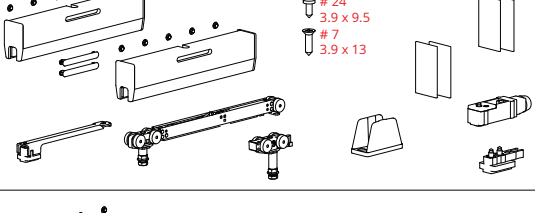
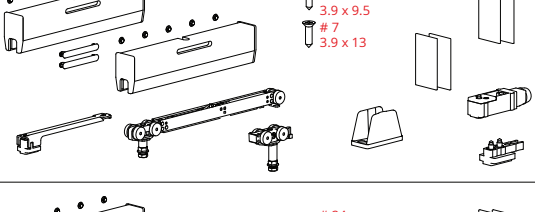
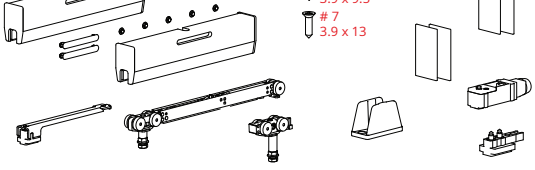
Systems for doors with automatic closure

INSTALLATION SCHEME



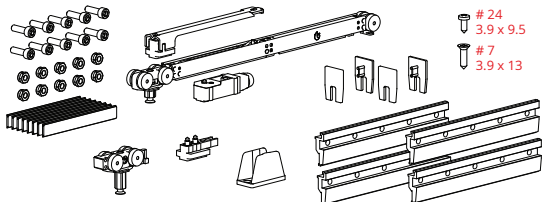
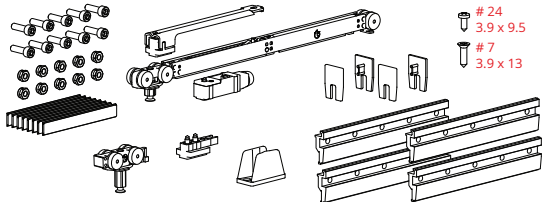
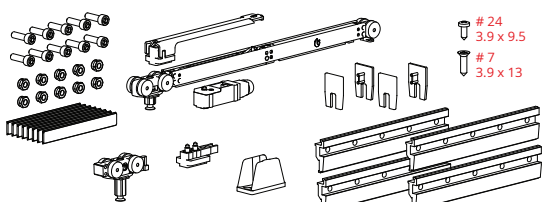
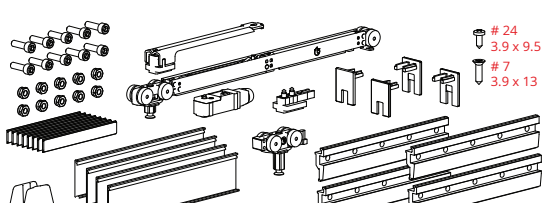
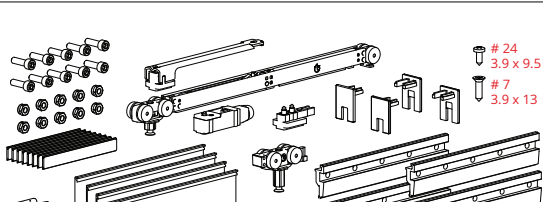
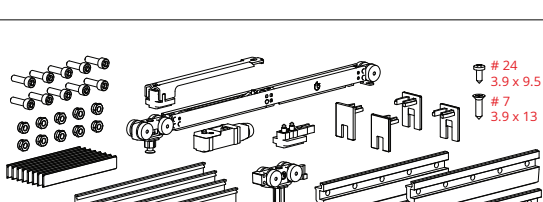
## Systems for doors with automatic closure

 80	Max 80 Kg
	N.1 Soft air closing
	N.1 Classic Stopper
	Door width - 650 ÷ 1200 mm

CODE	→   ←	KIT
2402/2404/V24/8	8/8.7 mm (5/16")	
2402/2404/V24/10	10/10.7 mm (3/8")	
2402/2404/V24/8/AC	8/8.7 mm (5/16")	
2402/2404/V24/10/AC	10/10.7 mm (3/8")	
2402/2404/P/8	8/8.7 mm (5/16")	
2402/2404/P/10	10/10.7 mm (3/8")	
2402/2404/P/12	12/12.7 mm (1/2")	



## Systems for doors with automatic closure

CODE	→ ←	KIT
2402/2404/V40/8	8/8.7 mm (5/16")	 <p># 24 3.9 x 9.5 # 7 3.9 x 13</p>
2402/2404/V40/10	10/10.7 mm (3/8")	 <p># 24 3.9 x 9.5 # 7 3.9 x 13</p>
2402/2404/V40/12	12/12.7 mm (1/2")	 <p># 24 3.9 x 9.5 # 7 3.9 x 13</p>
2402/2404/V40/8/AC	8/8.7 mm (5/16")	 <p># 24 3.9 x 9.5 # 7 3.9 x 13</p>
2402/2404/V40/10/AC	10/10.7 mm (3/8")	 <p># 24 3.9 x 9.5 # 7 3.9 x 13</p>
2402/2404/V40/12/AC	12/12.7 mm (1/2")	 <p># 24 3.9 x 9.5 # 7 3.9 x 13</p>



Max 80 Kg



N.1 Soft air closing

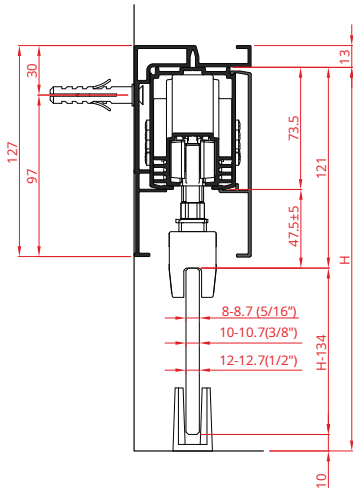


N.1 Classic Stopper

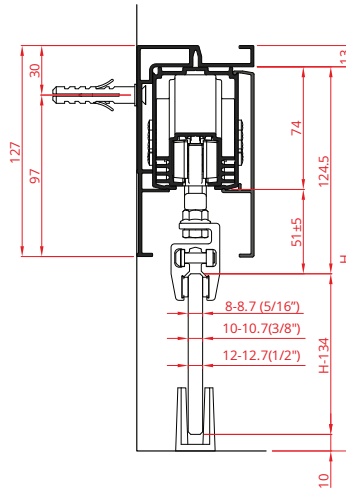


Door width - 650 ÷ 1200 mm

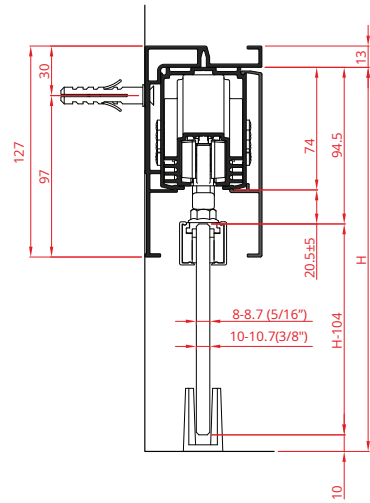
SIZE DESCRIPTION



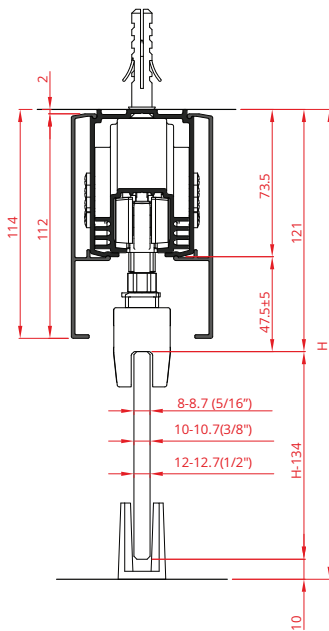
VETRO 40



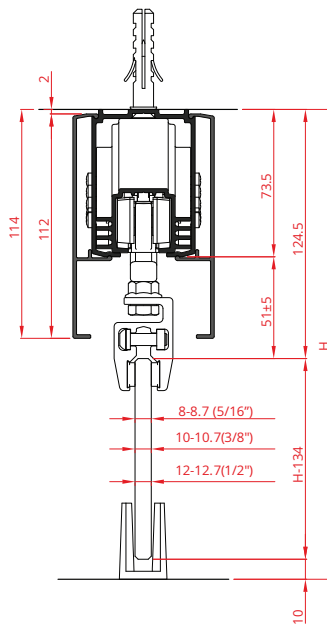
PRONTO



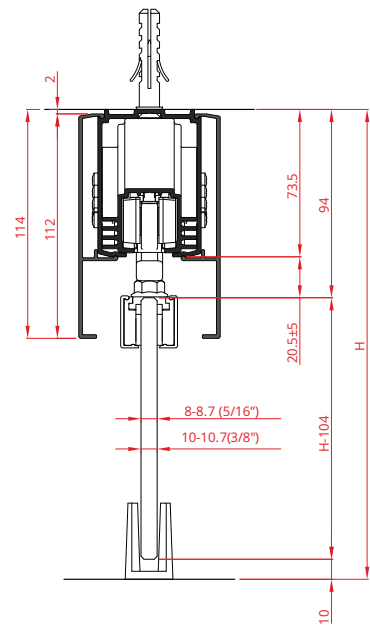
VETRO 24



VETRO 40

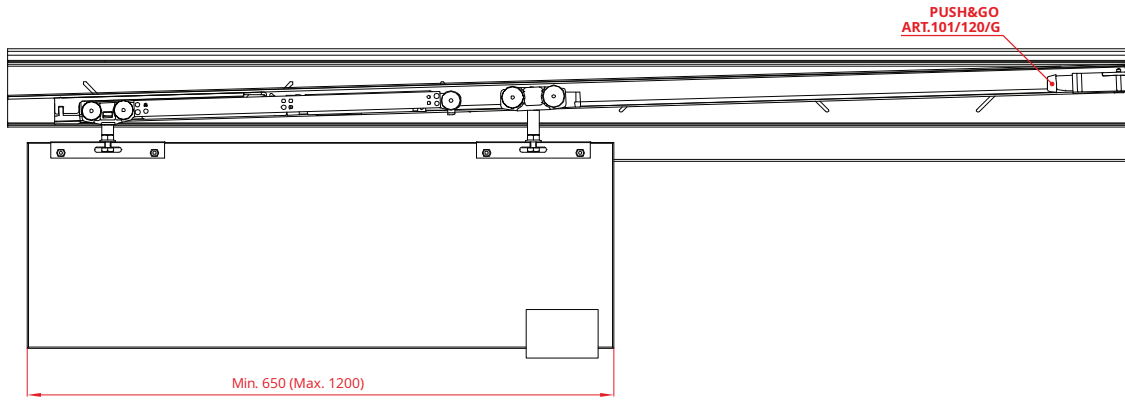


PRONTO





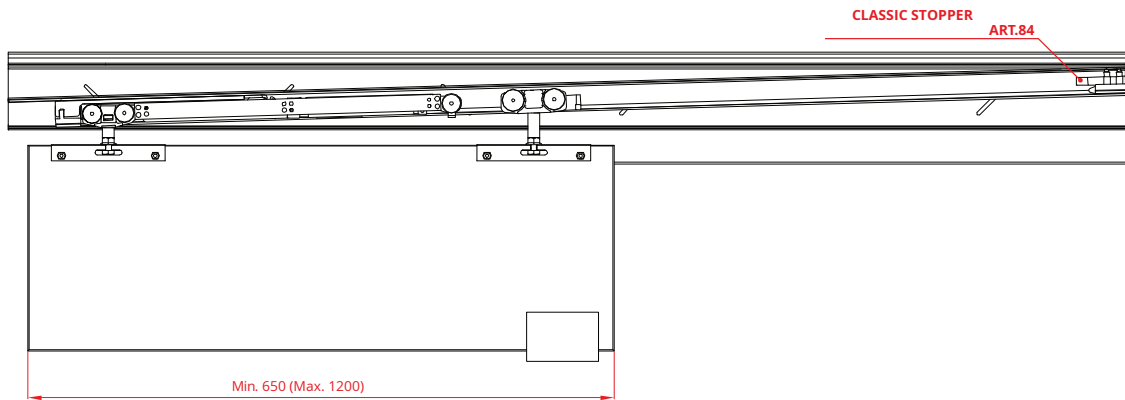
VETRO 24

USAGE SCHEME





THE SYSTEM WITH AUTOMATIC CLOSURE CAN BE USED WITH THE PUSH&GO PUSHER SYSTEM

 TRACK-BINARIO	 MIN-MAX
L = 1600 mm	650-800 mm
L = 2000 mm	801-1000 mm
L = 2400 mm	1001-1200 mm



THE SYSTEM WITH AUTOMATIC CLOSURE CAN BE USED WITH THE STANDARD CLIP FOR DOOR LOCKING

 TRACK-BINARIO	 MIN-MAX
L = 1600 mm	650-800 mm
L = 2000 mm	801-1000 mm
L = 2400 mm	1001-1200 mm