



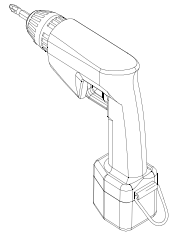
I N S T A L L A T I O N   G U I D E

# Contents

---

<b>1 Toolings</b> .....	1
<b>2 Components</b> .....	1
<b>3 Components installation</b> .....	1
Typical 1: Partition up to ceiling .....	1
3.1 Wall starter installation & vertical adjustment .....	2
3.2 Top and bottom groove installation & vertical adjustment .....	2-3
3.3 Corner pole installation .....	4
3.4 Horizontal panels connection .....	4-5
3.5 Vertical panels connection .....	6-7
3.6 Blind installation .....	7-8
Typical 2: Partitions not up to ceiling .....	9
<b>4 Door Illustration</b> .....	9
4.1 Wood swing door illustration .....	10-17
4.2 Glass swing door illustration .....	18-20
4.3 Glass sliding door illustration .....	21-23

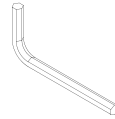
# 1 Toolings



Electric drill



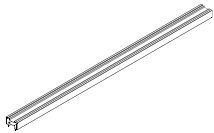
Gradienter



Allen key

# 2 Components

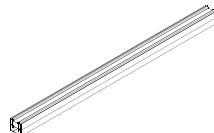
Wall starter



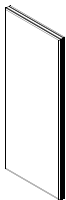
Ceiling connection



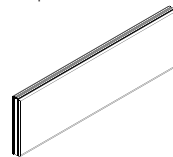
Bottom connection



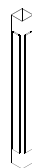
Vertical panel



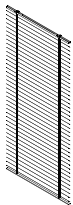
Horizontal panel



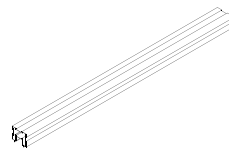
Corner pole



Blind



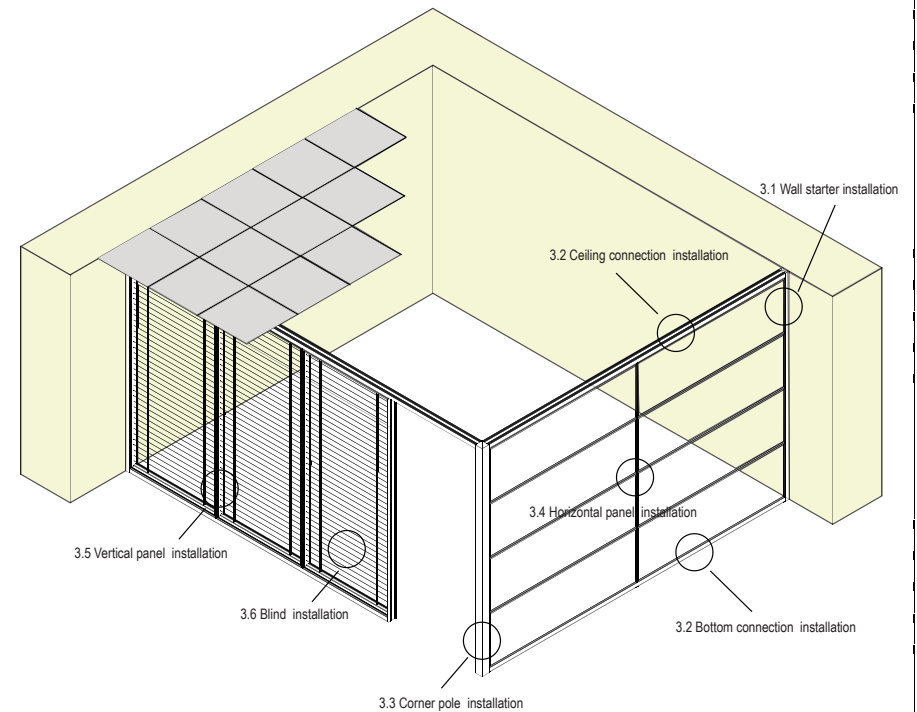
Top bar



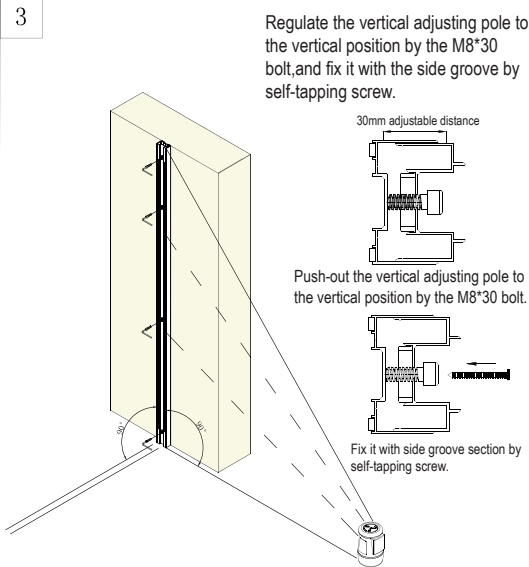
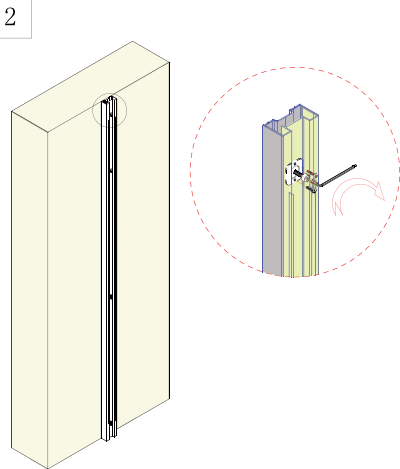
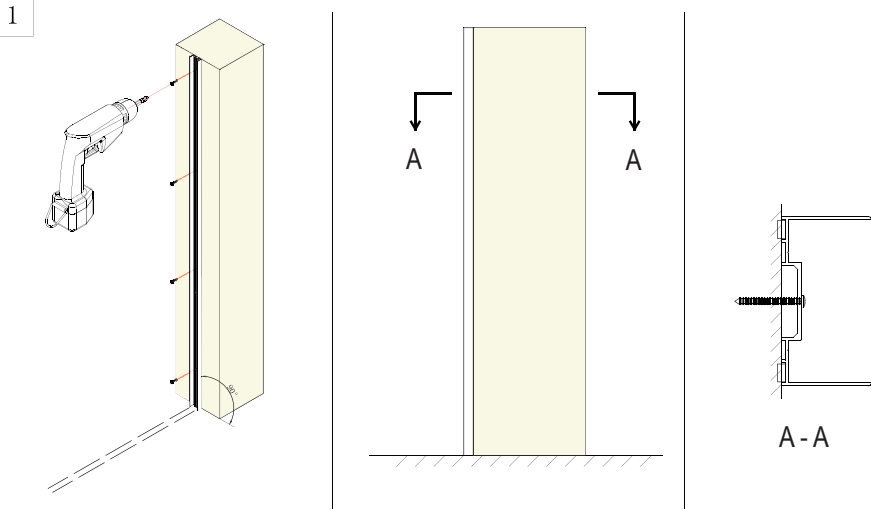
# 3 Component installation

Typical room

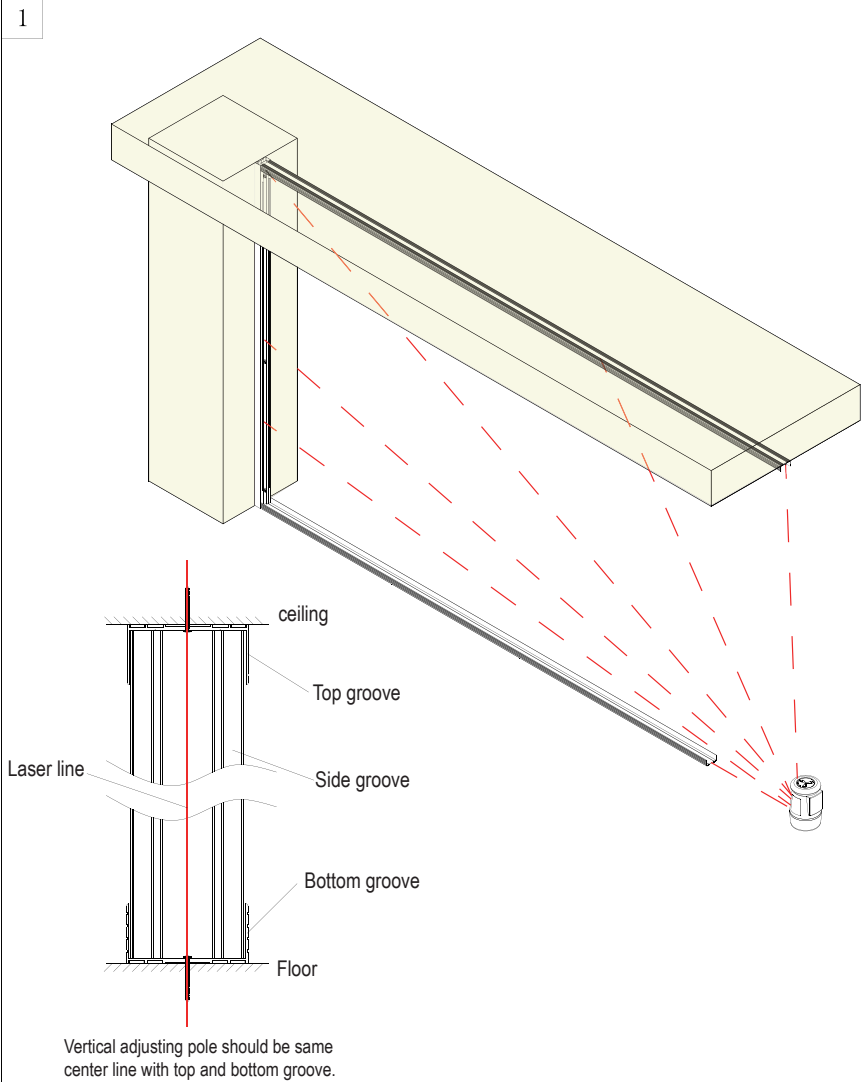
Typical 1: Partition up to ceiling



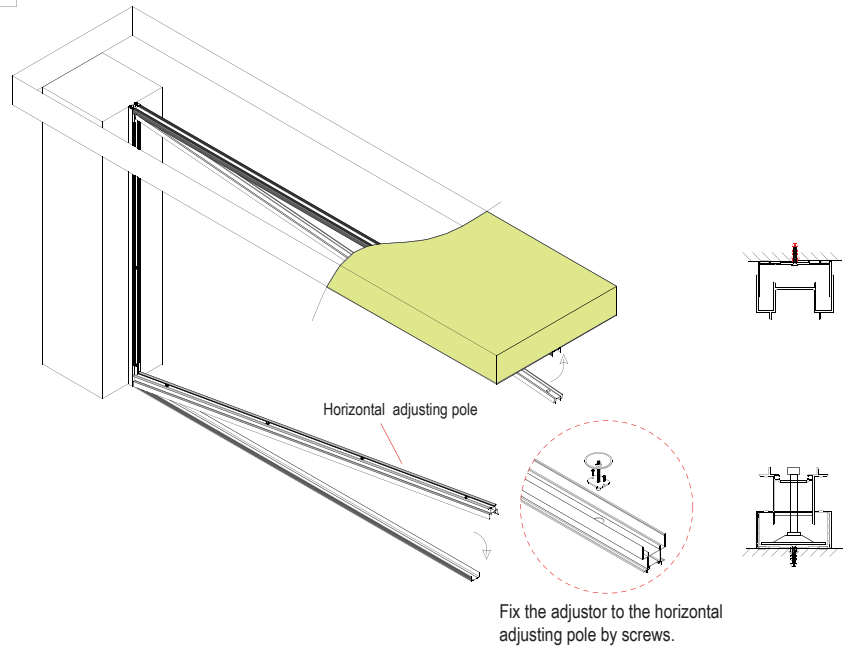
### 3.1 | Wall starter installation & vertical adjustment



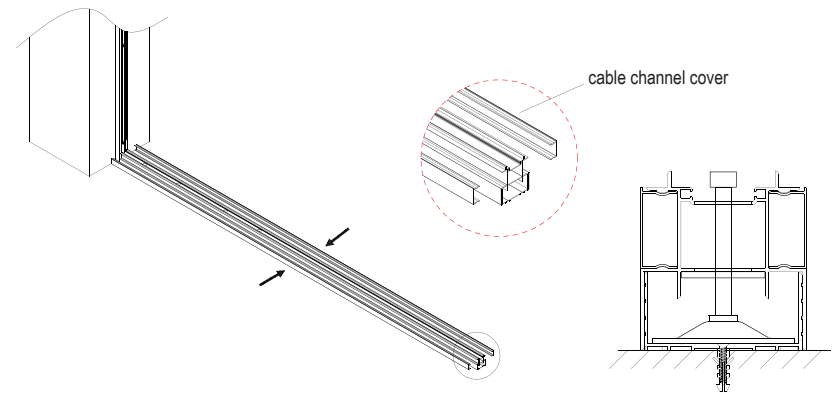
### 3.2 | Top and bottom groove installation & vertical



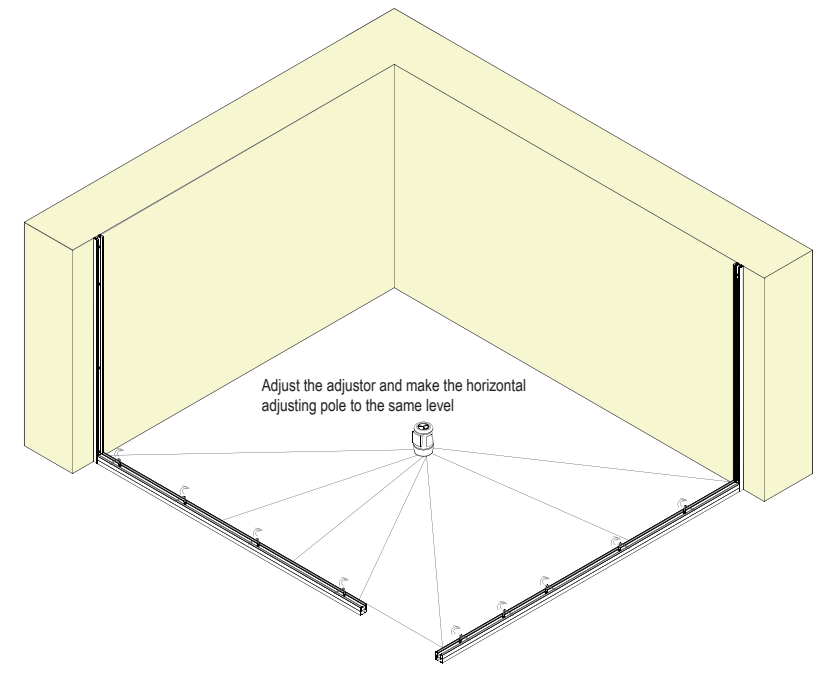
2



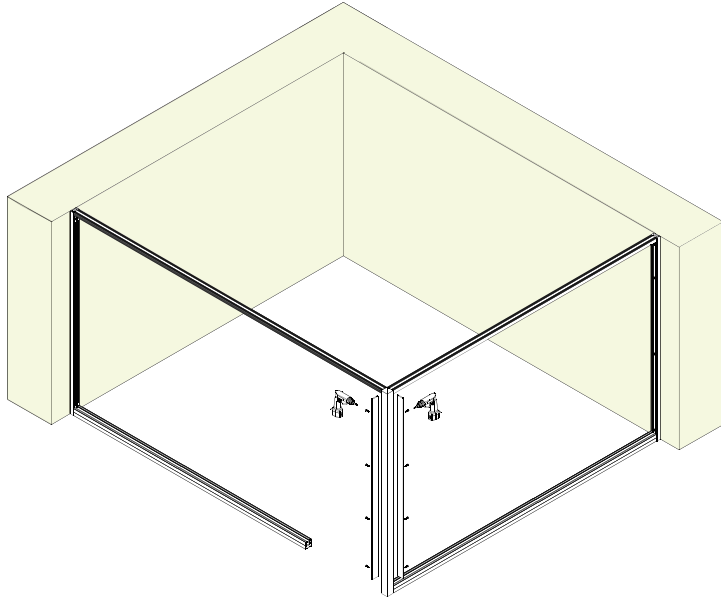
3



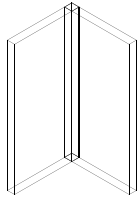
4



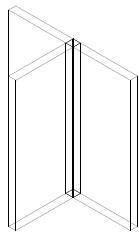
### 3.3 | Corner pole installation



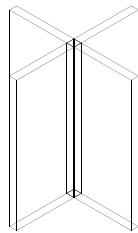
#### Different corner pole



2 ways connection system



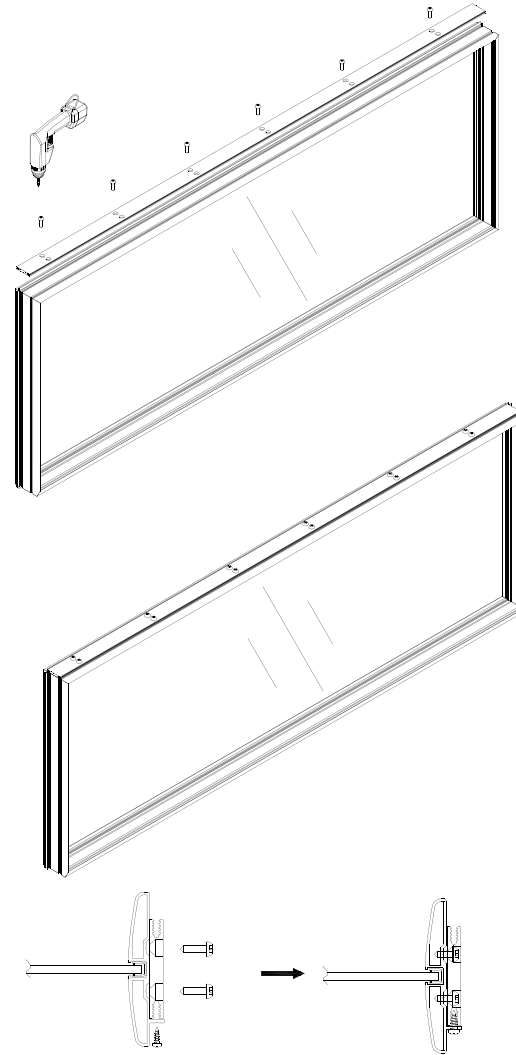
3 ways connection system



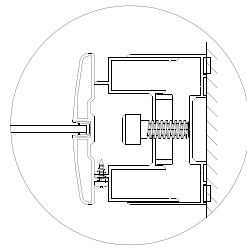
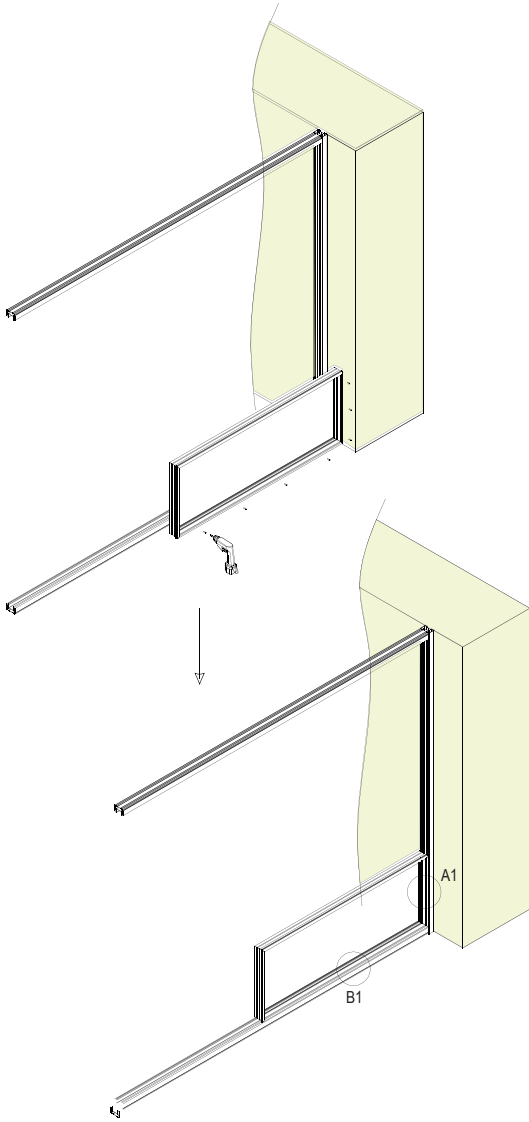
4 ways connection system

### 3.4 | Horizontal panels connection

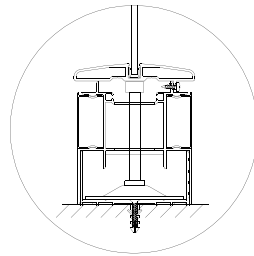
1



2

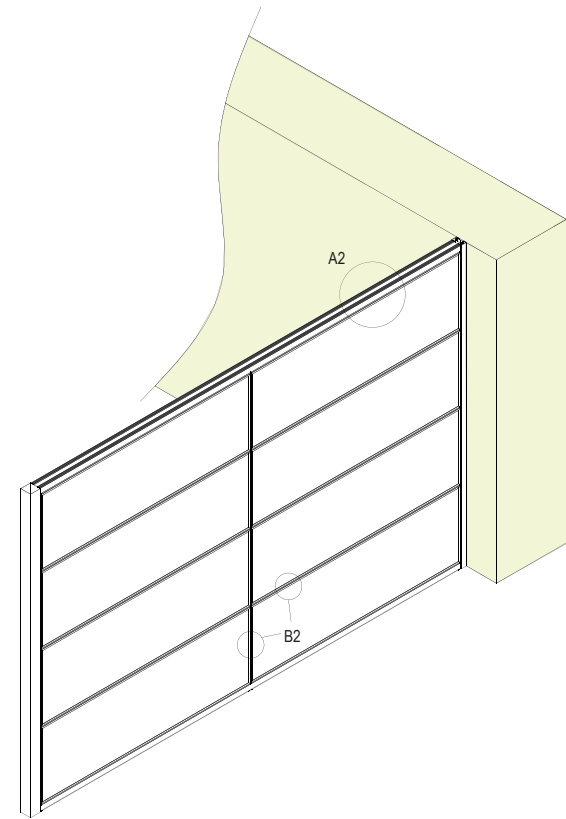


Section A1

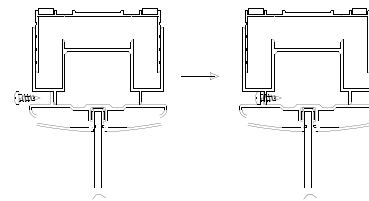


Section B1

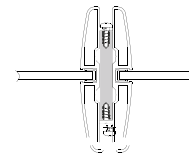
3



Section A2

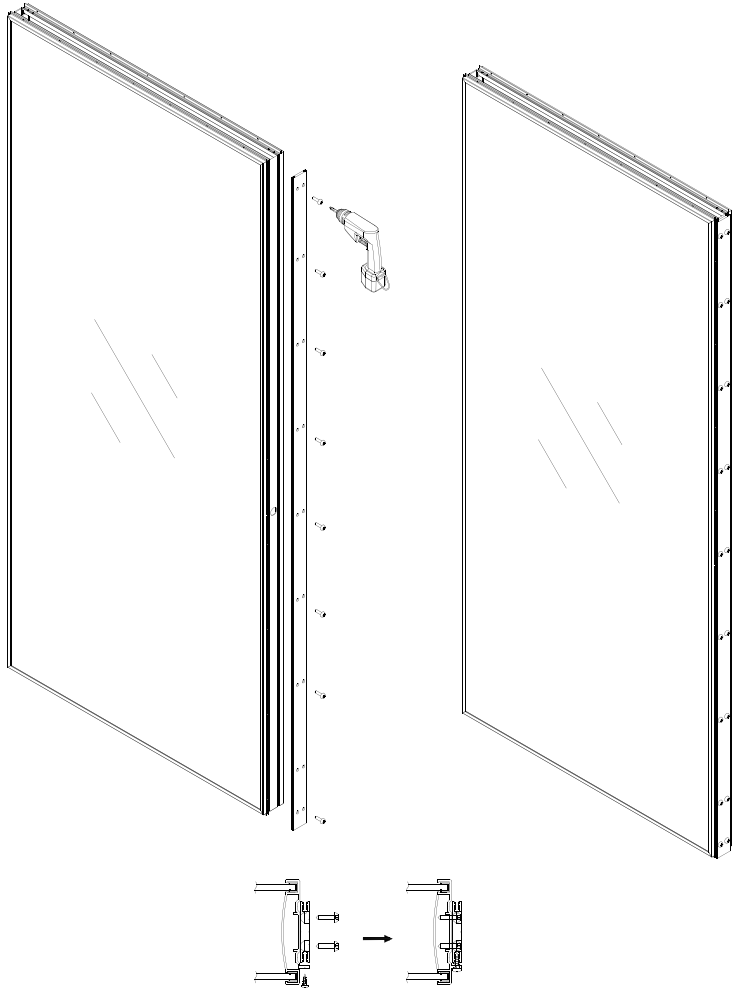


Section B2

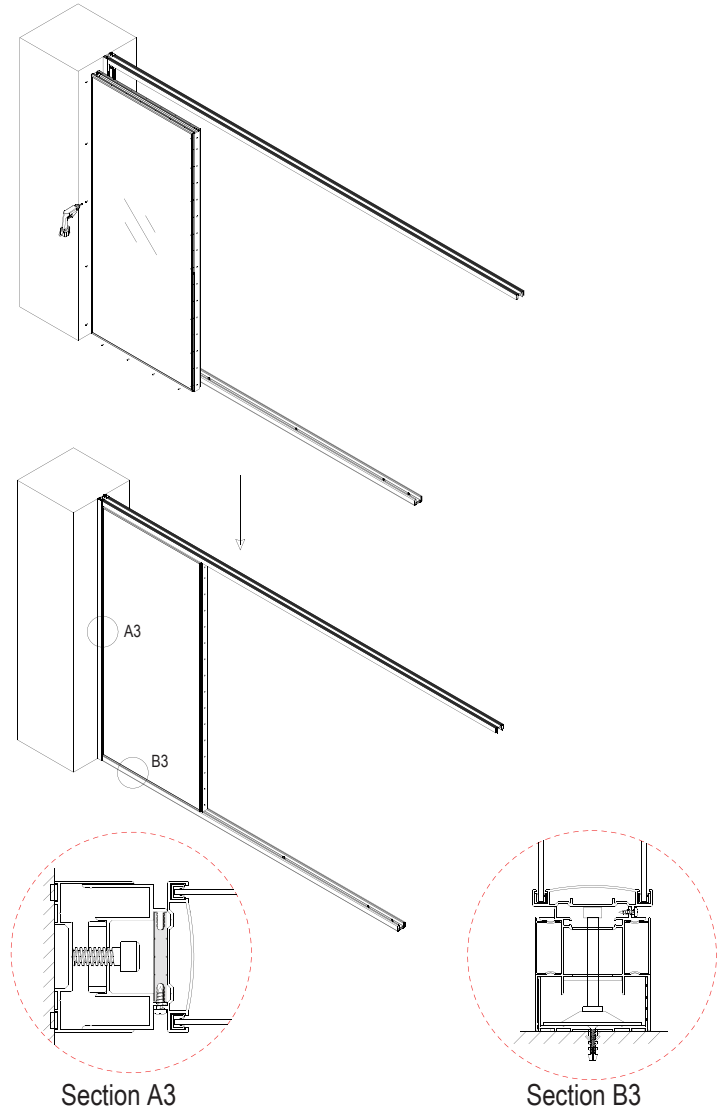


3.5 Vertical panels connection

1

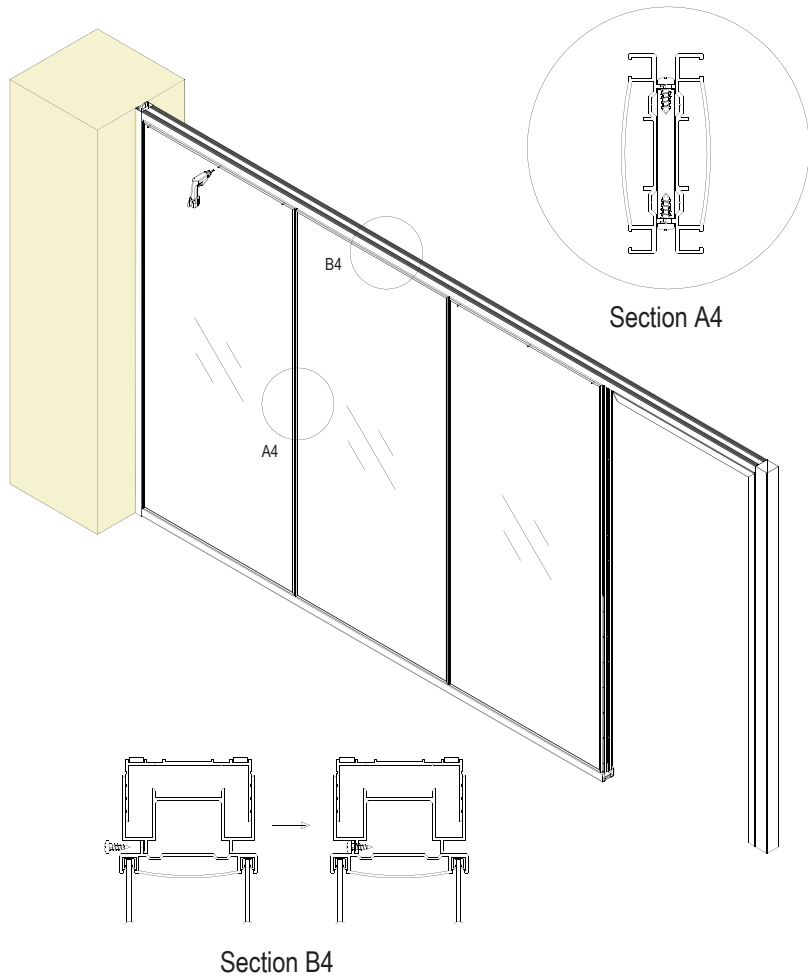


2

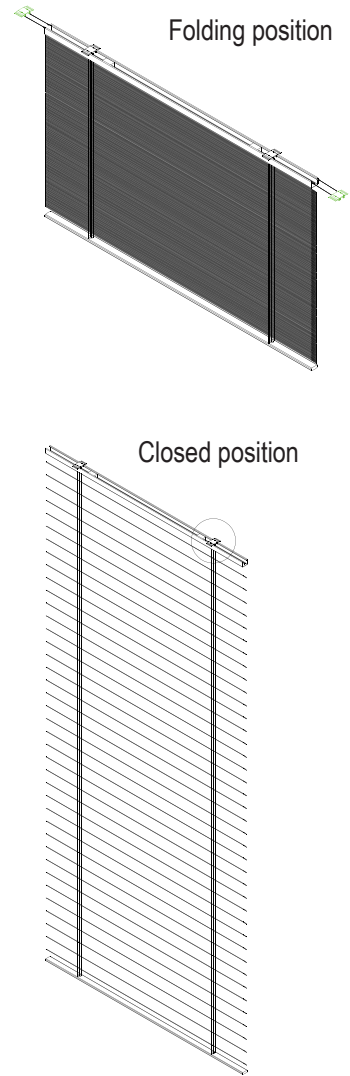




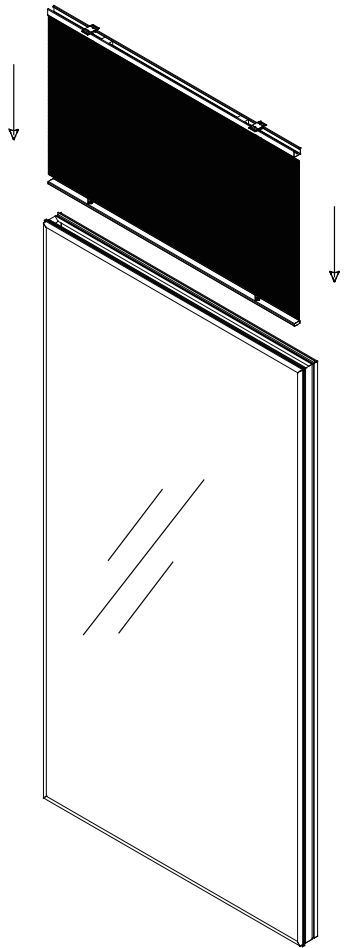
3



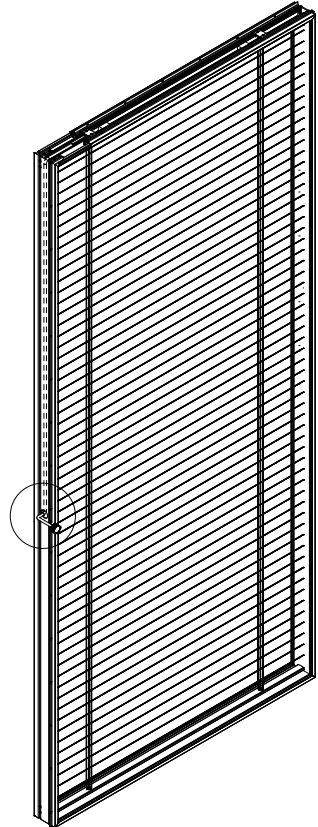
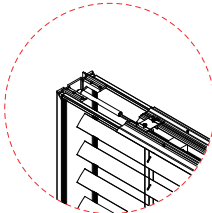
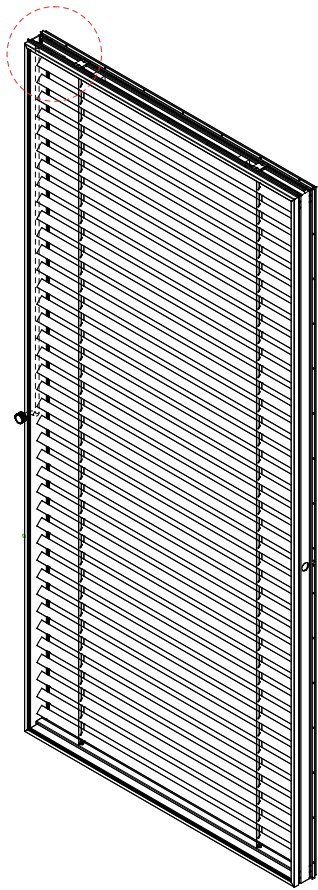
1



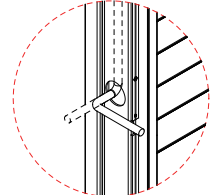
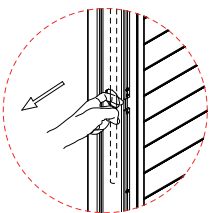
2



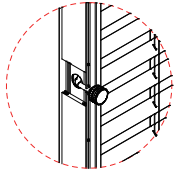
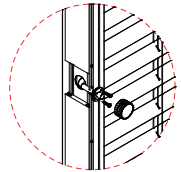
3



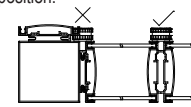
Controlled wire:



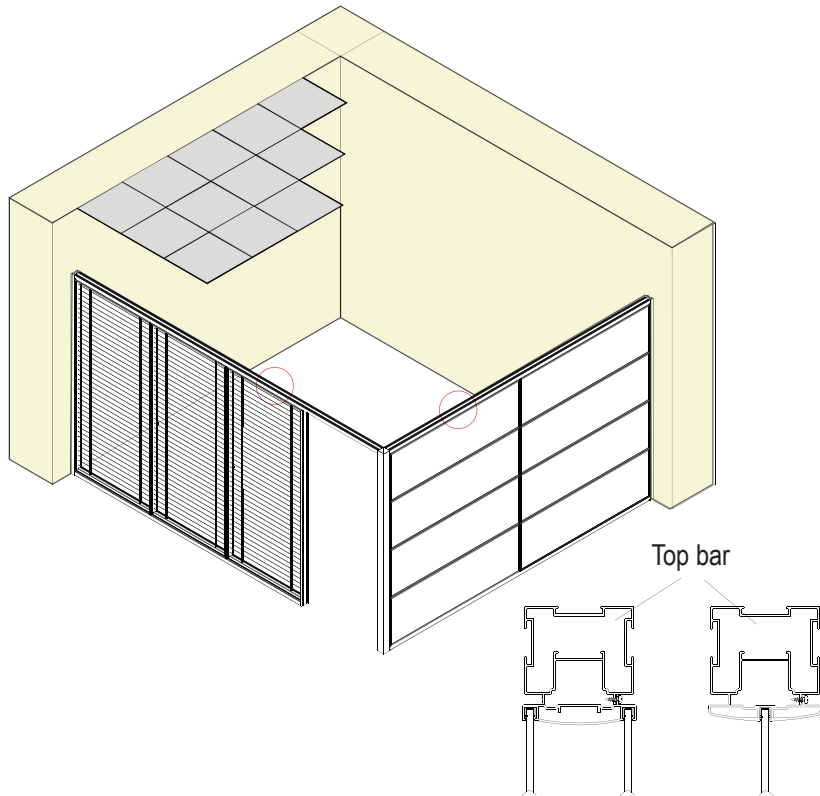
Controller:



Note: Controller should not be fixed at the corner position.



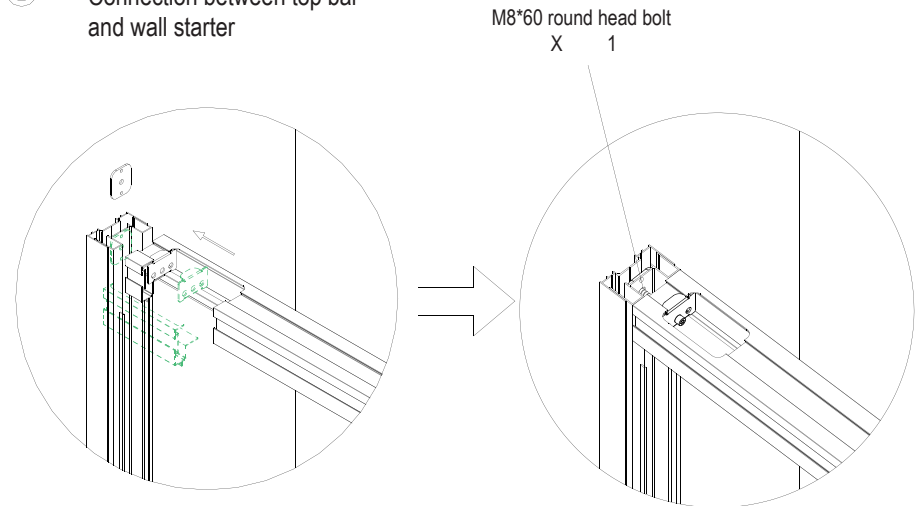
## Typical 2: Partitions not up to ceiling



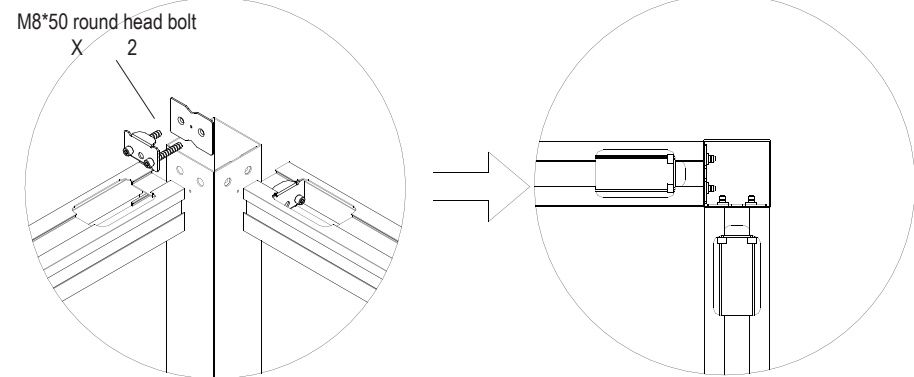
### Note:

1. The only difference is to use top bar instead of ceiling connection when the partitions are not up to ceiling.
2. Fix the bottom connection, then fix the first panel, then fix the top bar, finally fix the panels one by one.

### ① Connection between top bar and wall starter

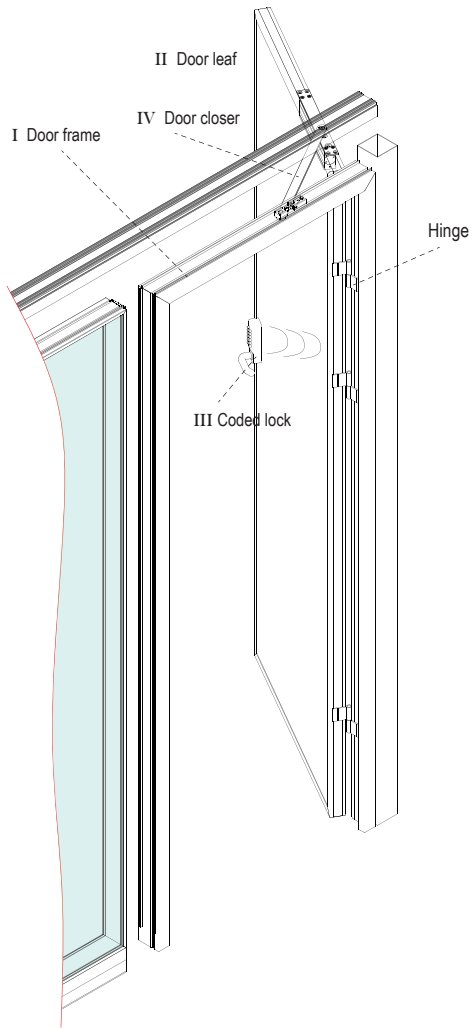


### ② Connection between top bar and corner pole



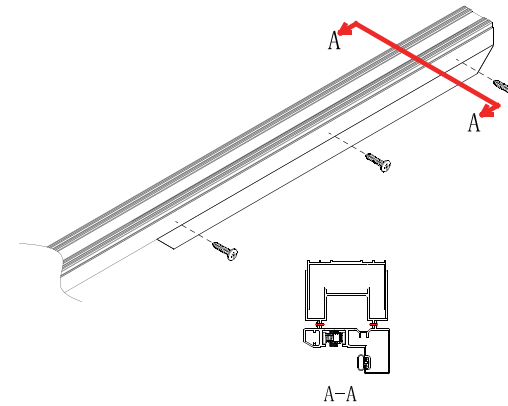
# 4 Door Illustration

## 4.1 Wood swing door illustration

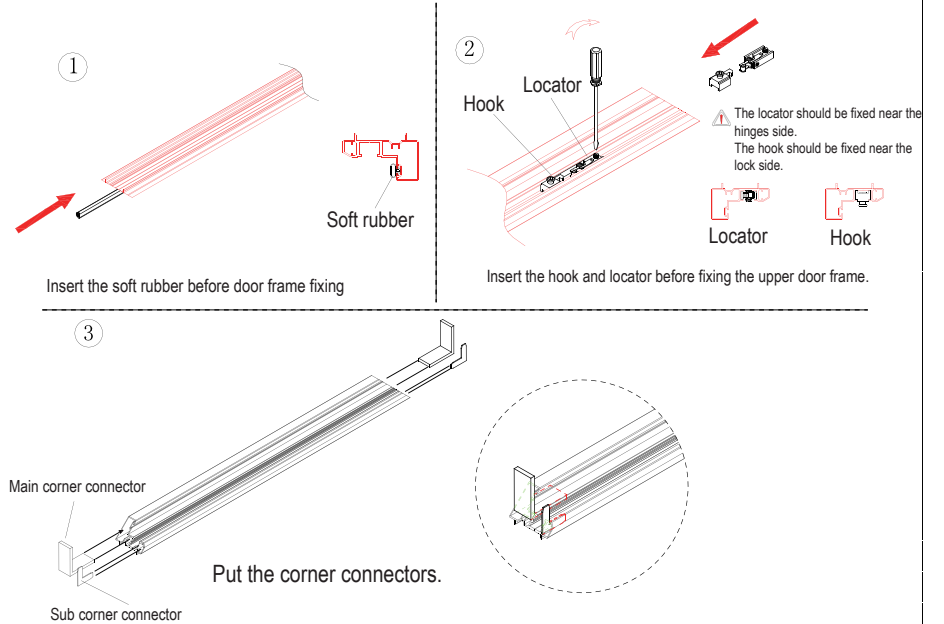


### I: Door frame installation

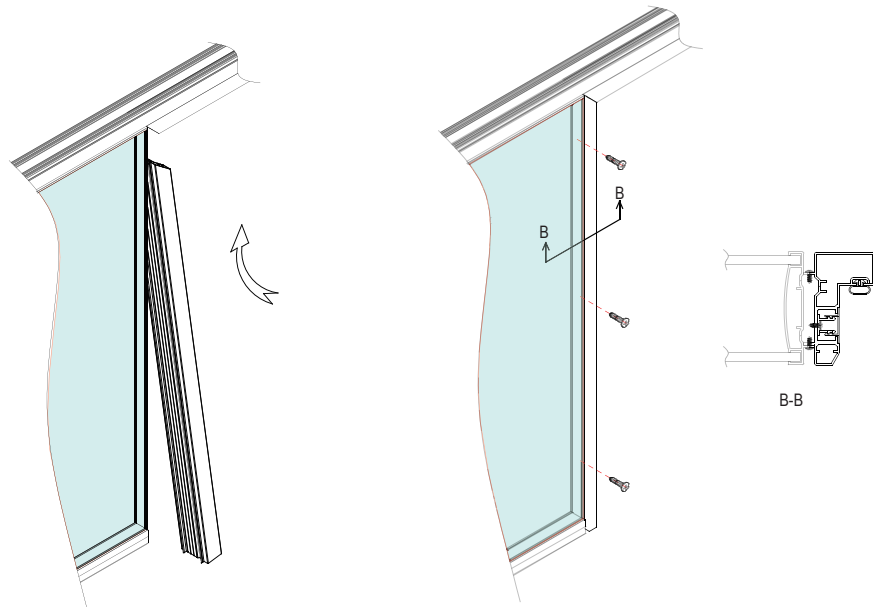
Step 1: Up door frame installation



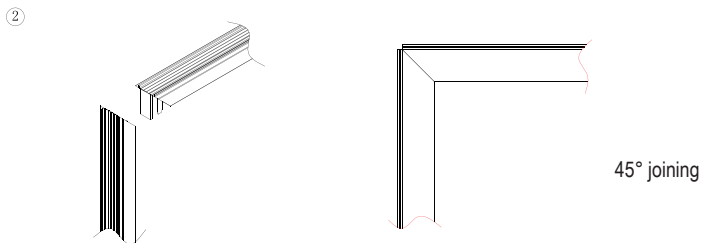
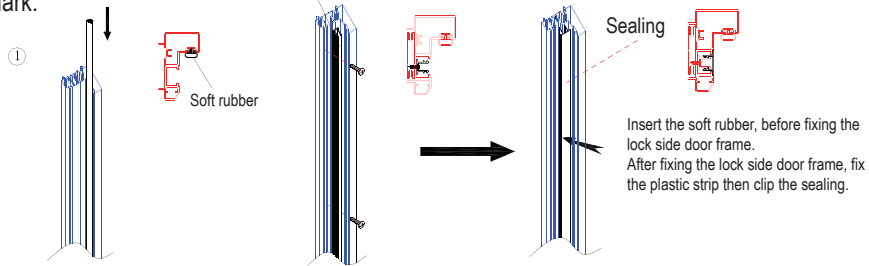
Remark:



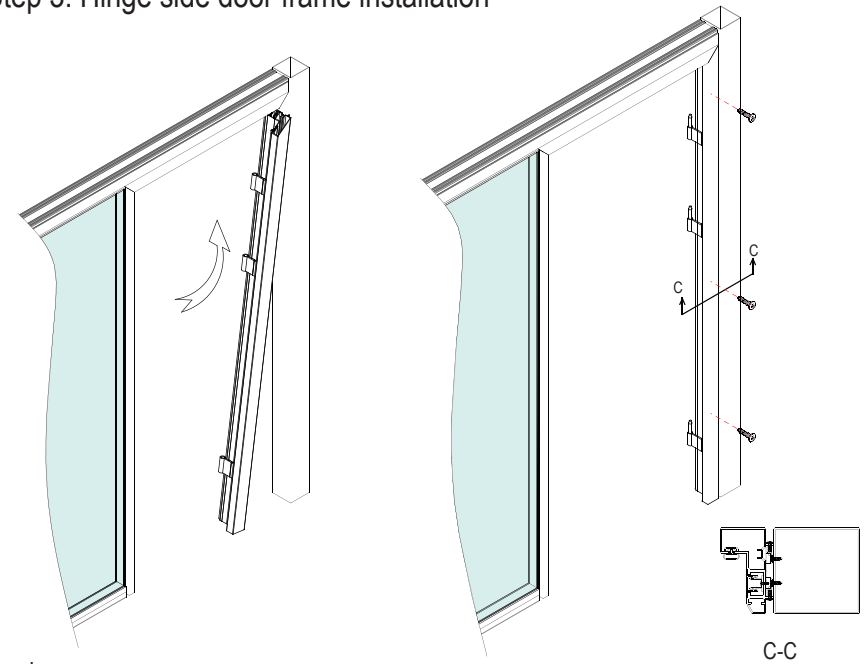
## Step 2: Lock side door frame installation



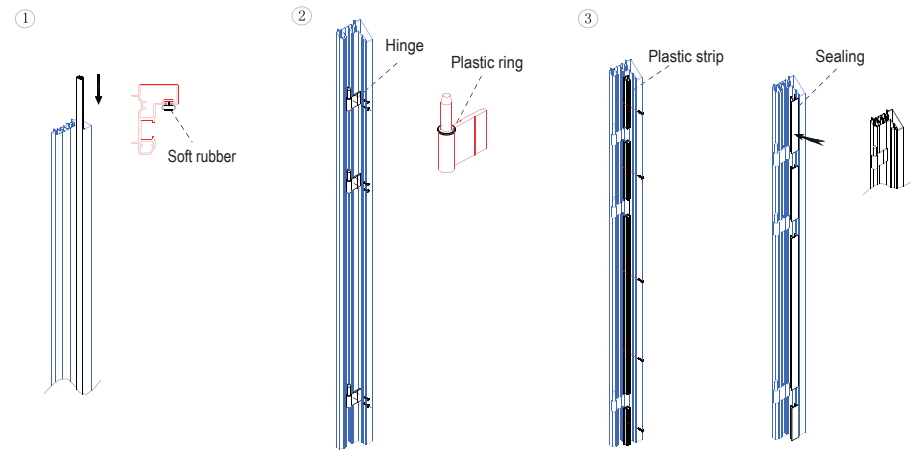
Remark:



## Step 3: Hinge side door frame installation



Remark:



Insert the soft rubber before fixing the door frame. Fix the hinges in the pre-drill holes. Fix the plastic strip and door sealing finally.

## II: Door leaf installation

Remark:

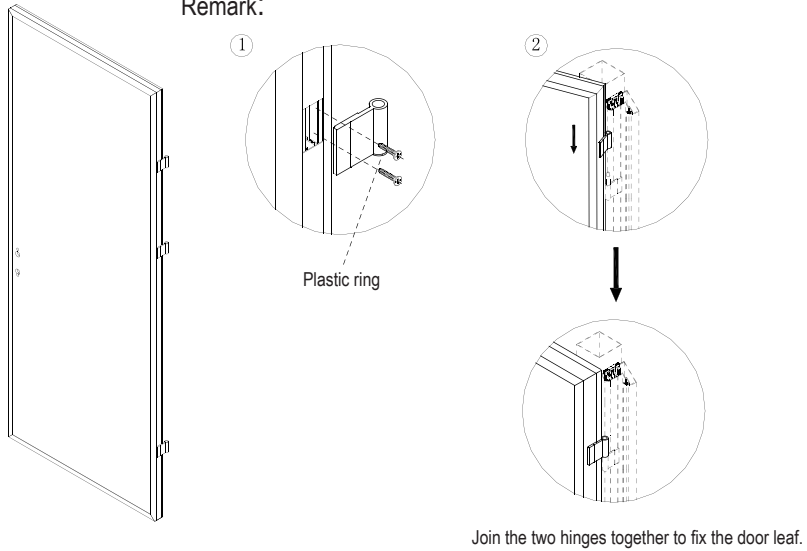
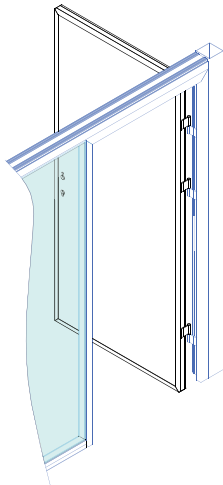
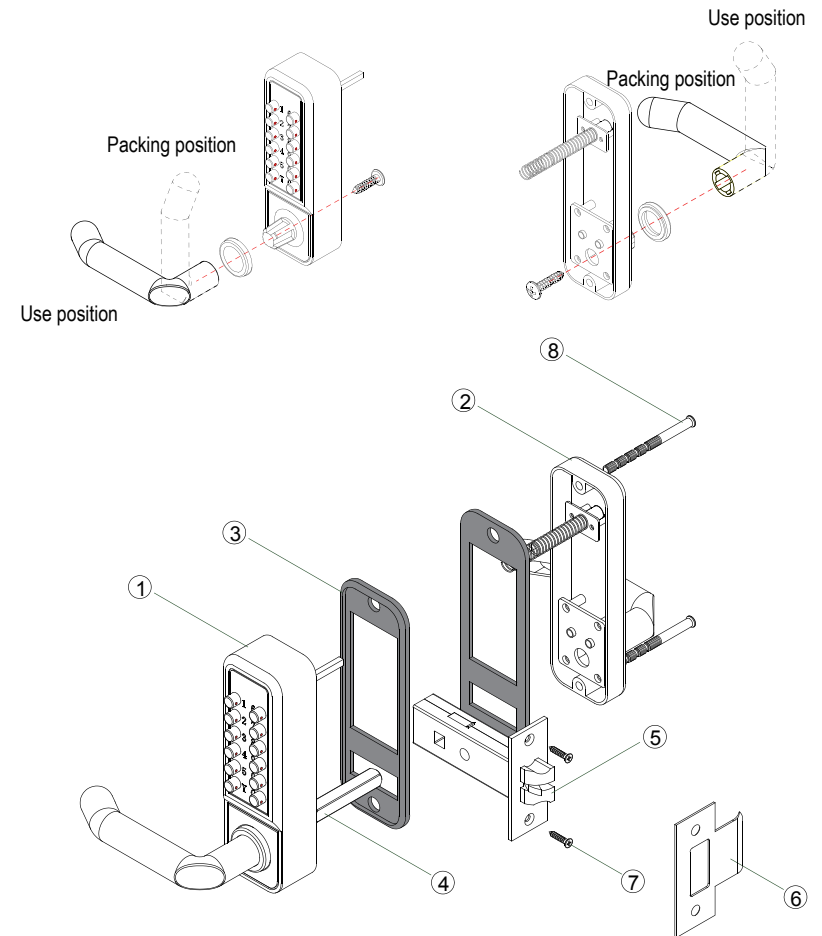


Image:

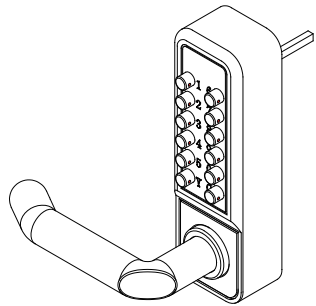


## III: Coded lock installation

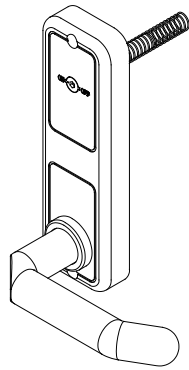
Coded lock break-down □



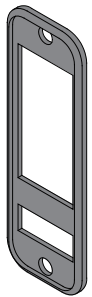
Components list:



1: External lock

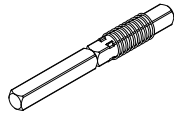


2: Internal lock

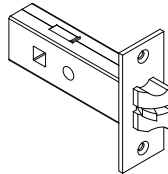


× 2

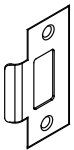
3: Plastic mat



4: Axis



5: Strike plate



6: Stopper



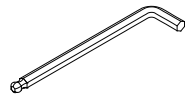
× 4

7: Self-tapping screw



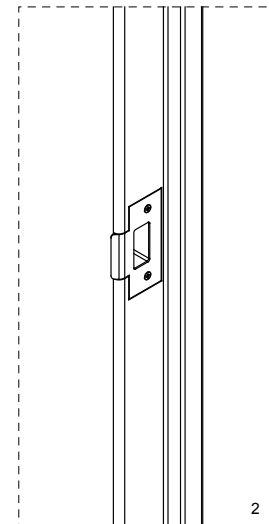
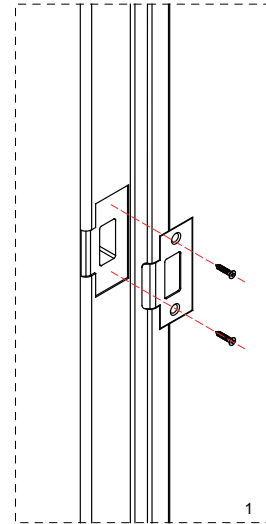
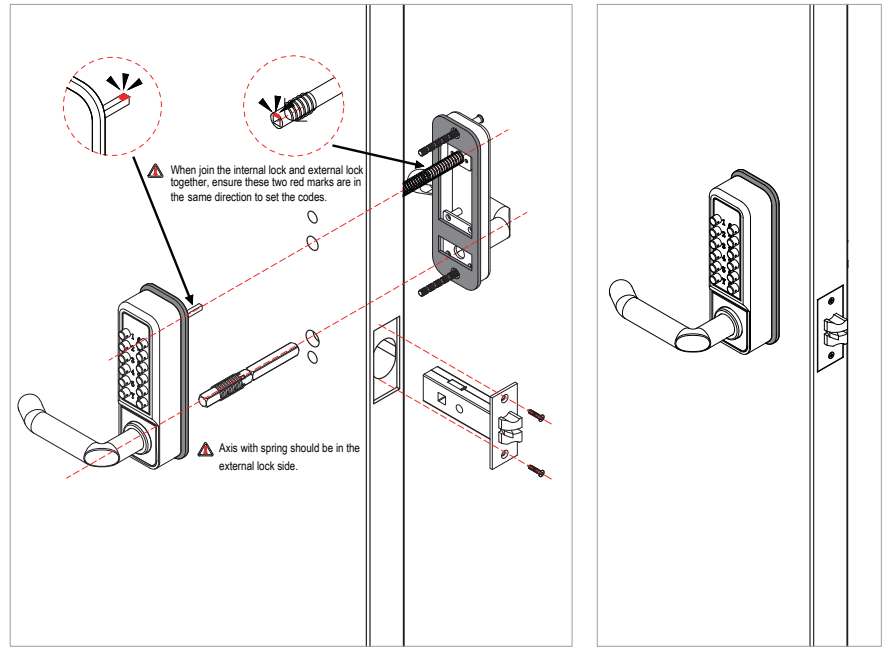
× 2

8: Long screw



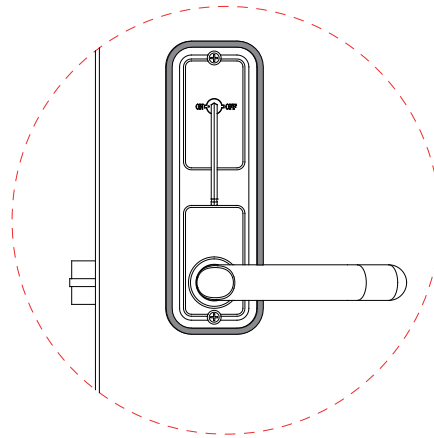
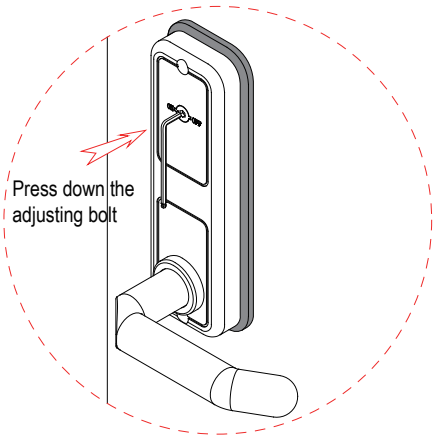
CRV-3mm

9: Allen key

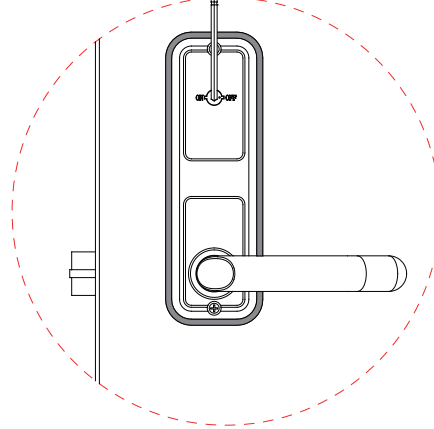
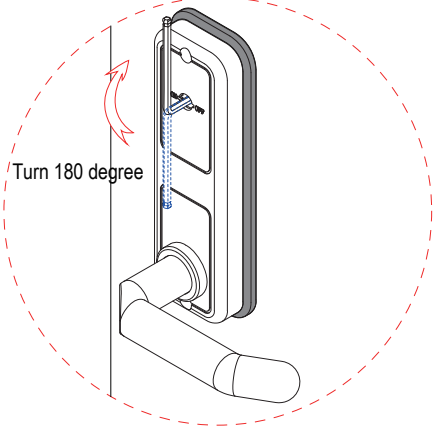


# How to set the codes for the coded lock?

Step 1:

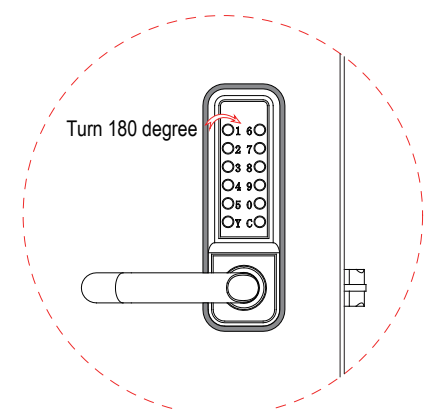
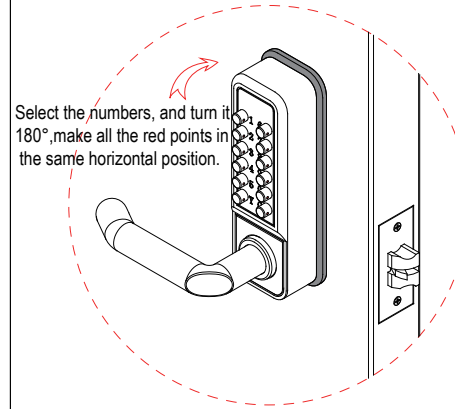


Step 2:

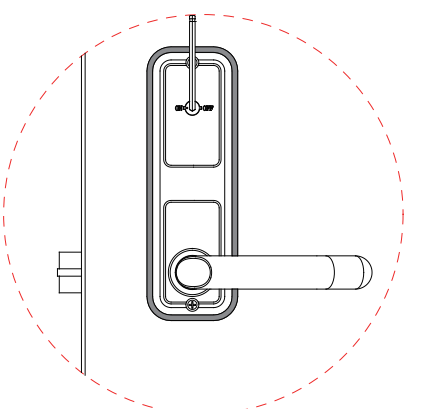
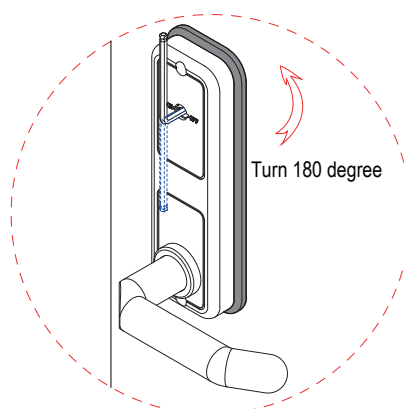


Turn the red point from "on" to "off"

Step 3:



Step 4:

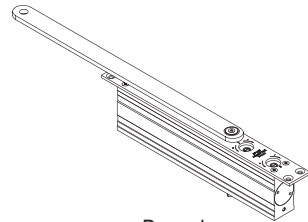
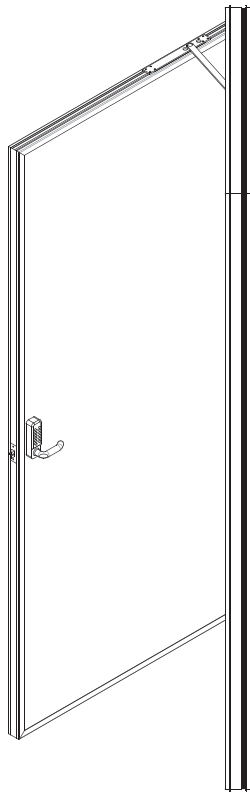


Turn the red point from "off" to "on"



## I: Door closer installation

Components list:



Door closer  
x 1



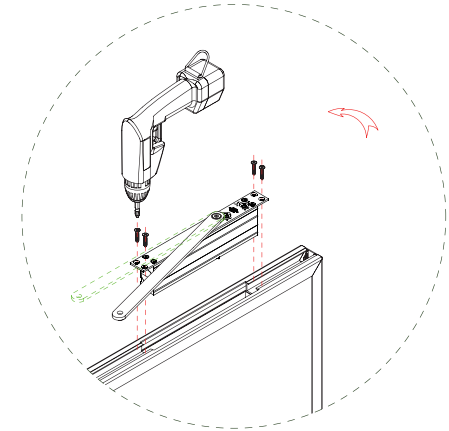
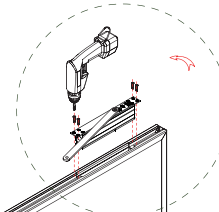
Hook  
x 1



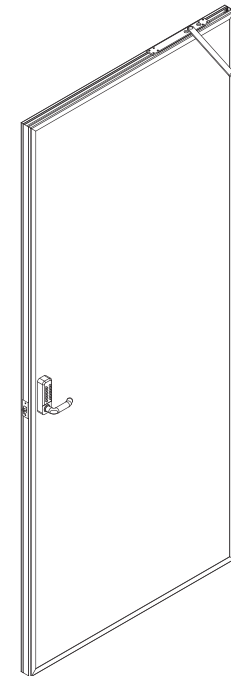
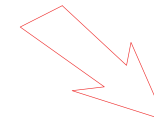
Locator  
x 1



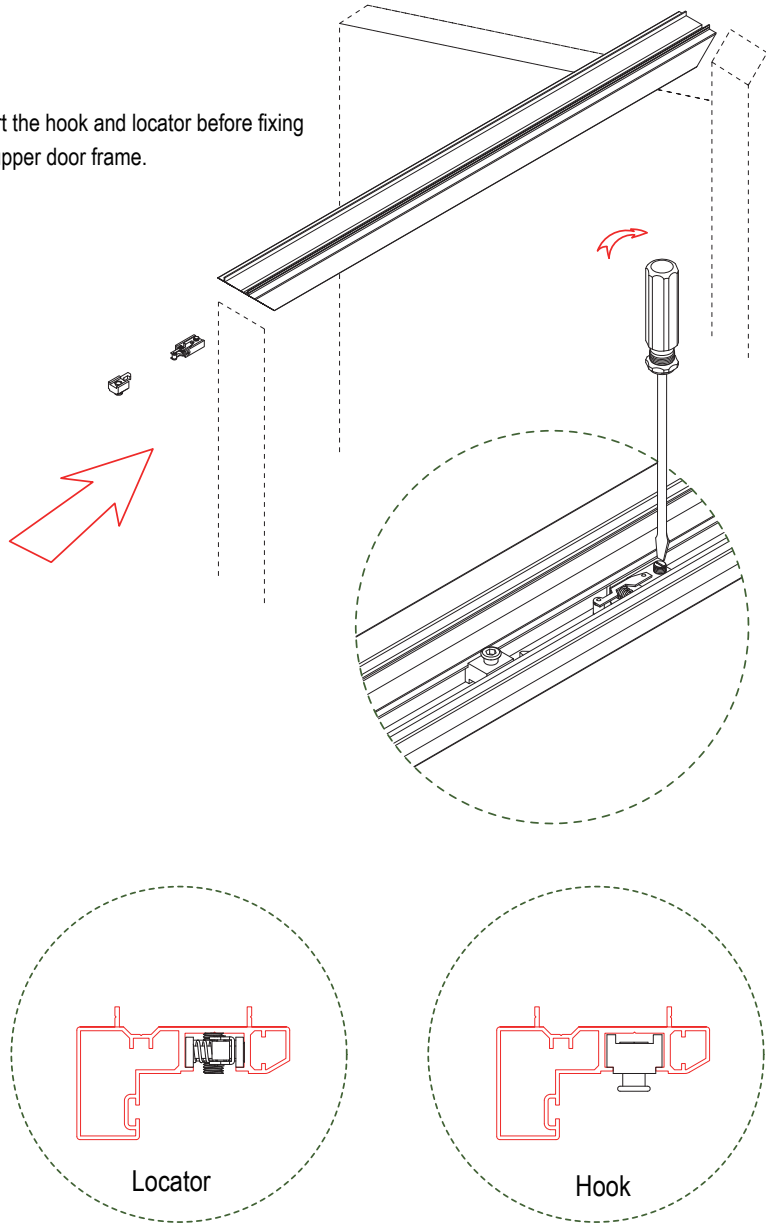
screw  
x 4



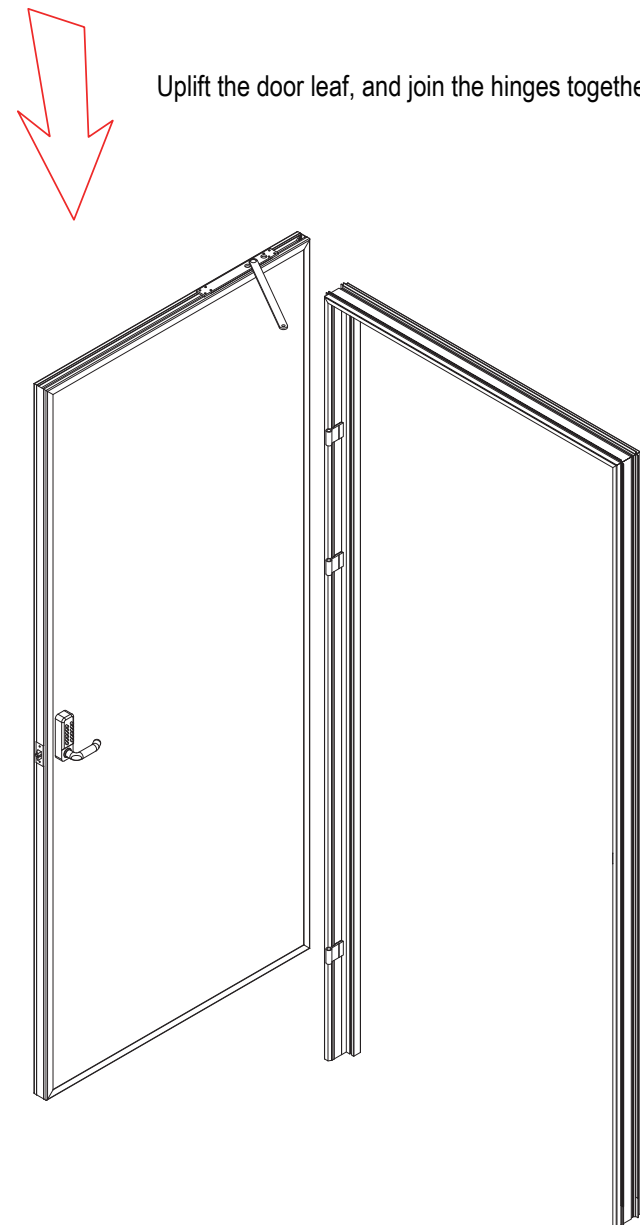
Fix the door closer with the door leaf



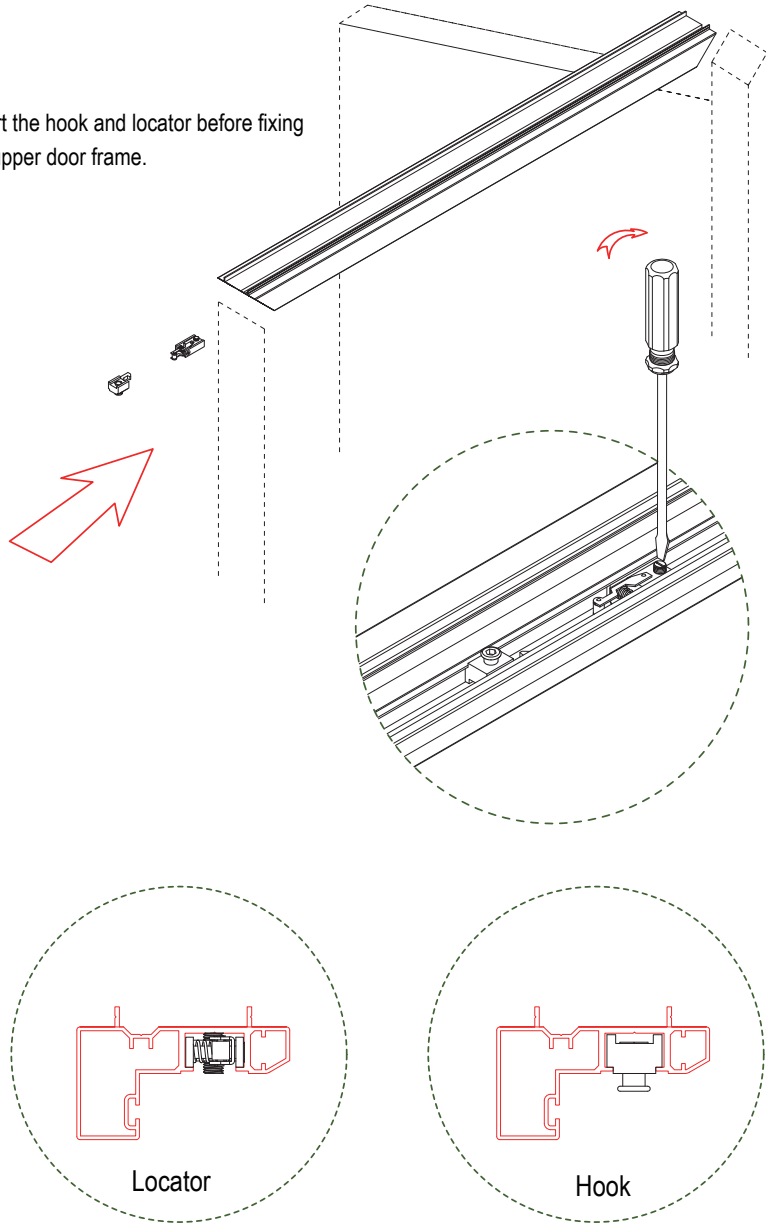
Insert the hook and locator before fixing the upper door frame.



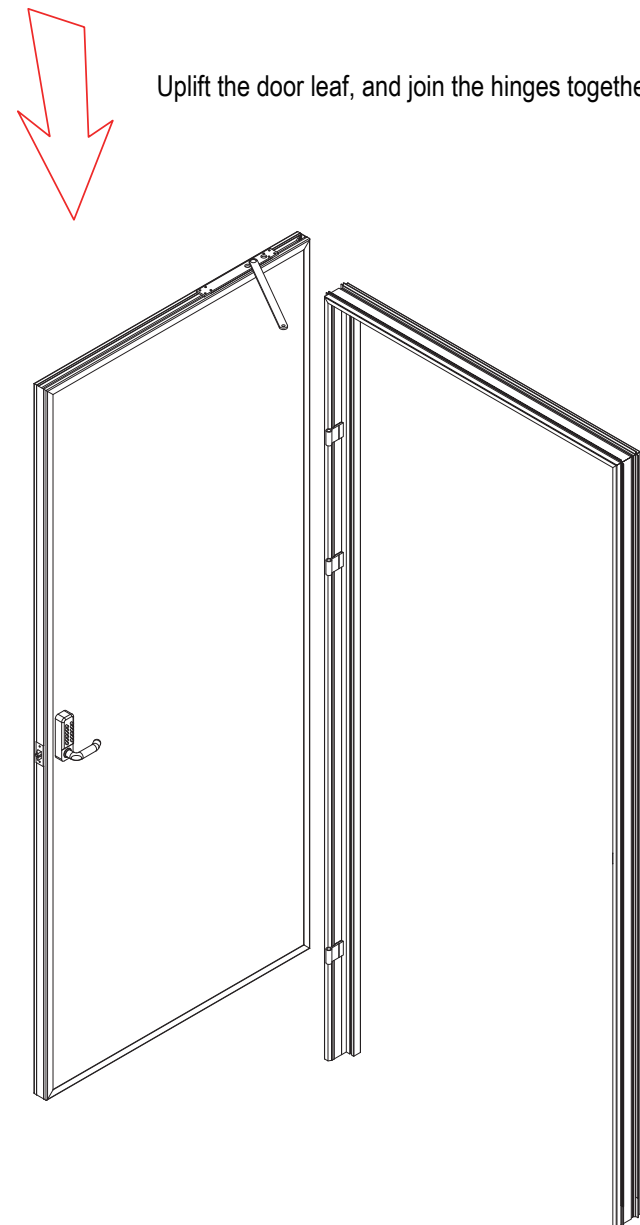
Uplift the door leaf, and join the hinges together

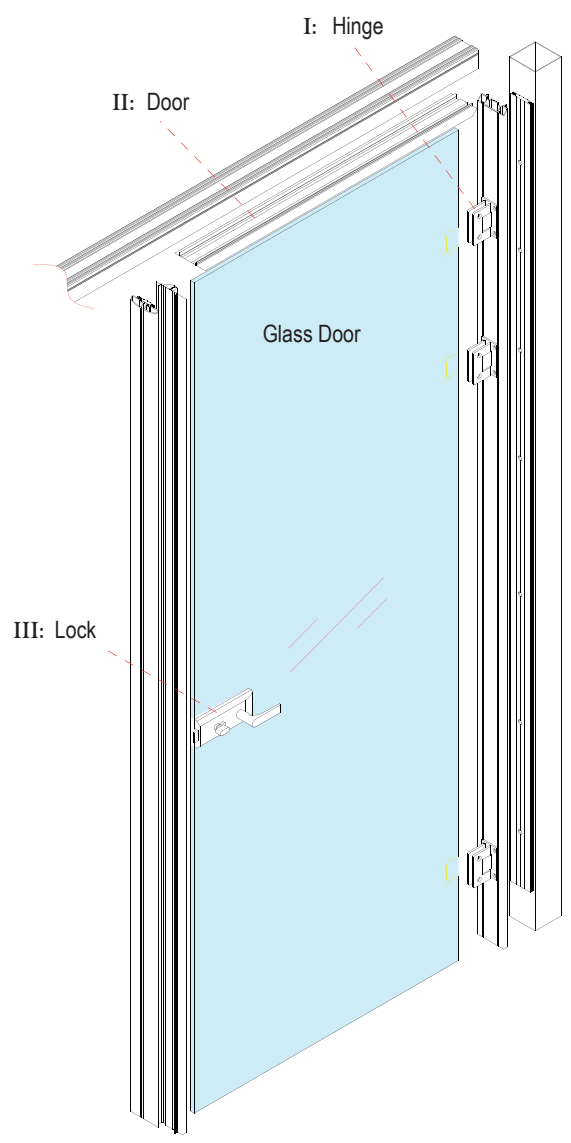


Insert the hook and locator before fixing the upper door frame.



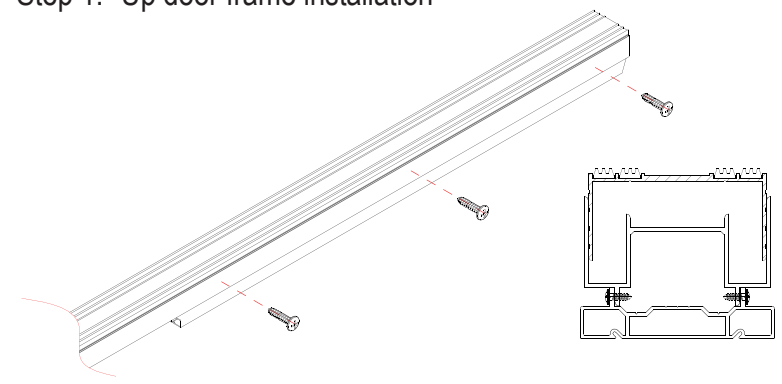
Uplift the door leaf, and join the hinges together



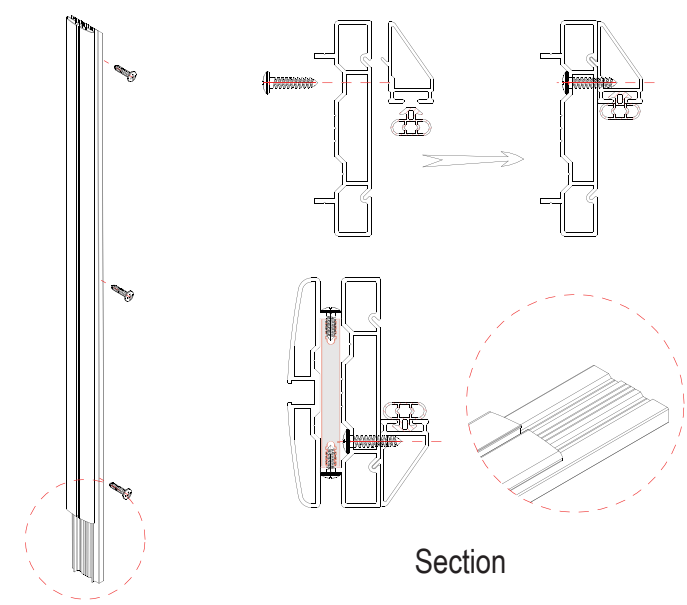


I: Door frame installation

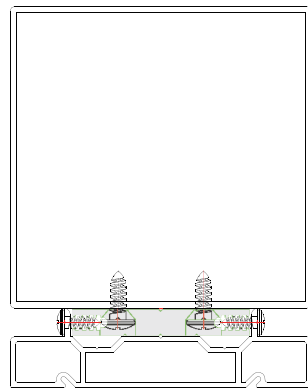
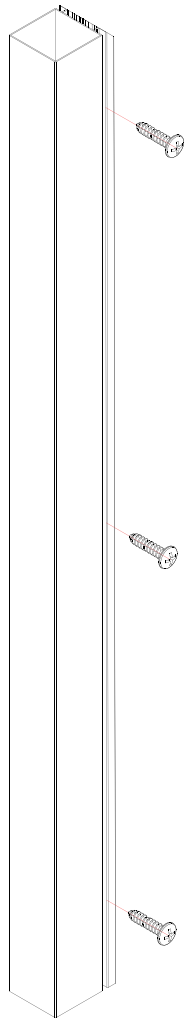
Step 1: Up door frame installation



Step 2: Lock side door frame installation

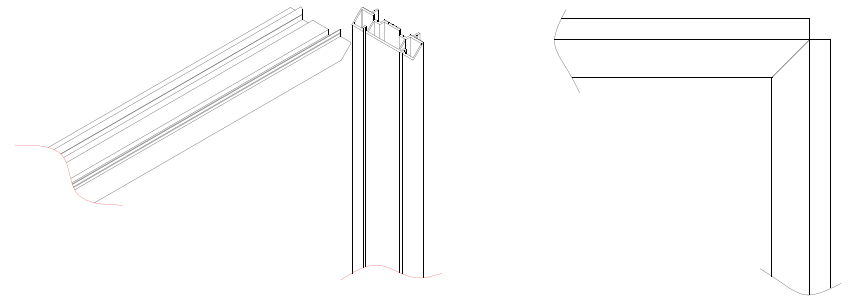


Step 3: Hinge side door frame installation

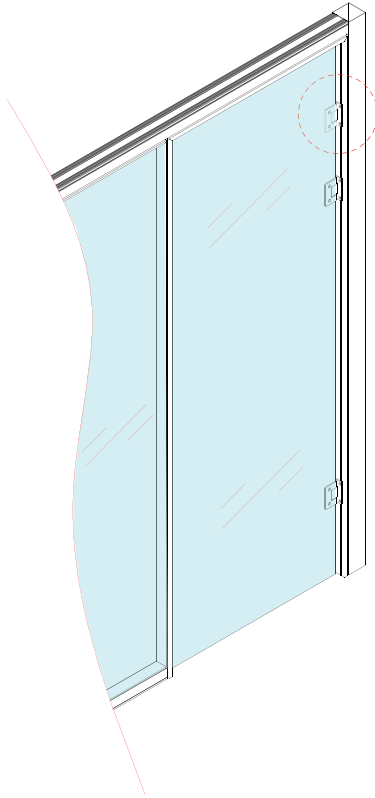


Section

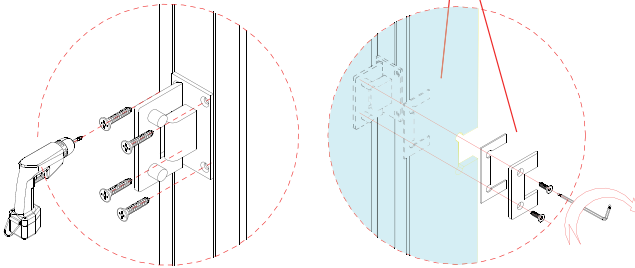
45° joining:



## II: Hinge installation

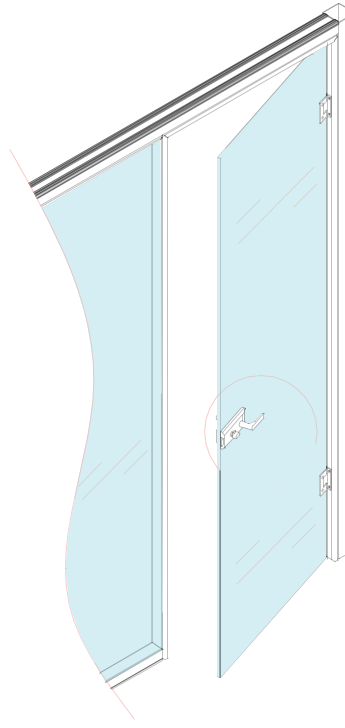


plastic mat (inside and outside)

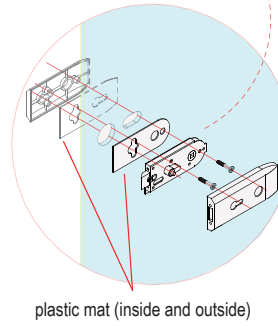


## III: Lock installation

Step 1: Lock body installation

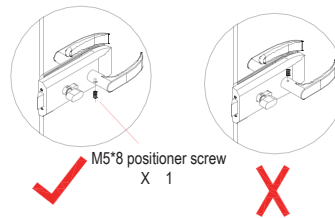


Lock for left and right



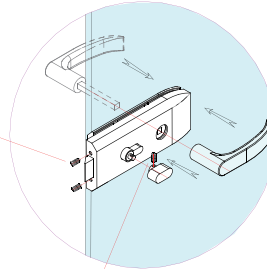
plastic mat (inside and outside)

M5\*8 positioner screw  
X 2

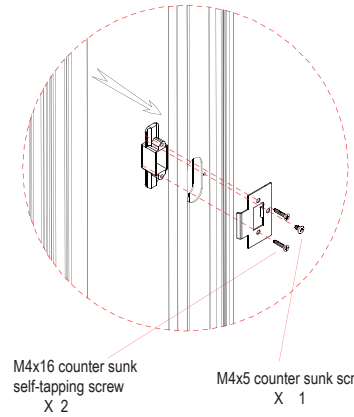


M5\*8 positioner screw  
X 1

M5\*6 positioner screw  
X 1



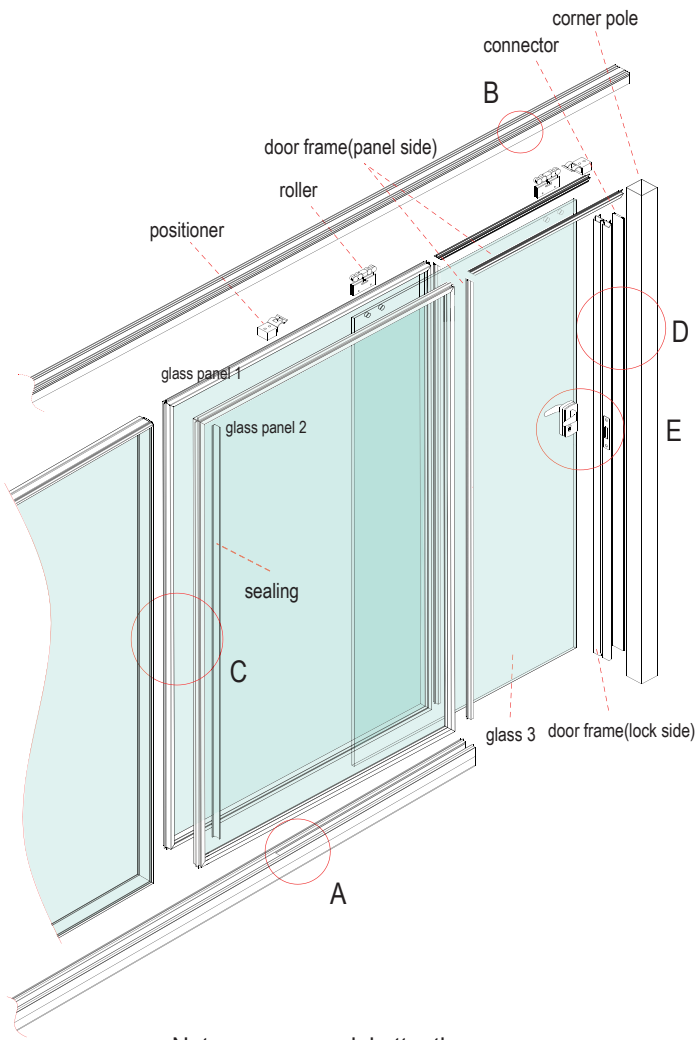
Step 2: Lock mat installation



M4x16 counter sunk  
self-tapping screw  
X 2

M4x5 counter sunk screw  
X 1

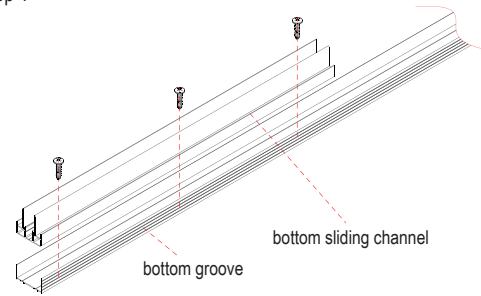
4.3 Glass sliding door illustration



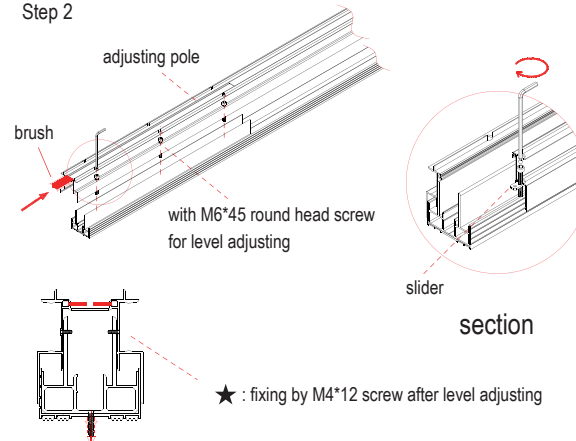
Note: ★ pay special attention

A bottom channel assembling

Step 1

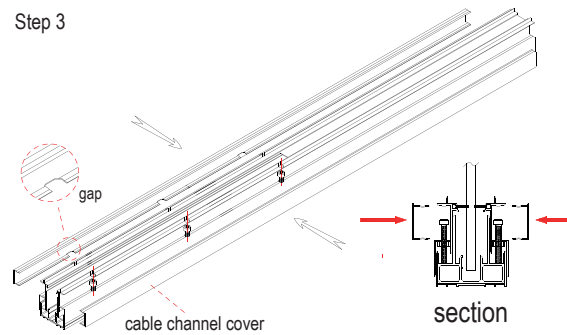


Step 2

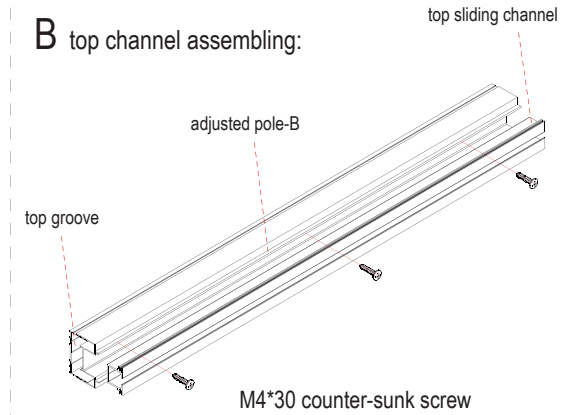


M4\*30 counter-sunk screw with plastic insert

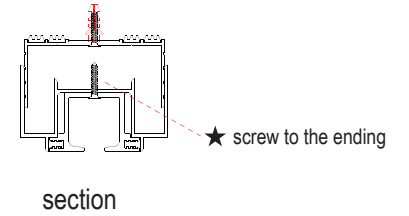
Step 3



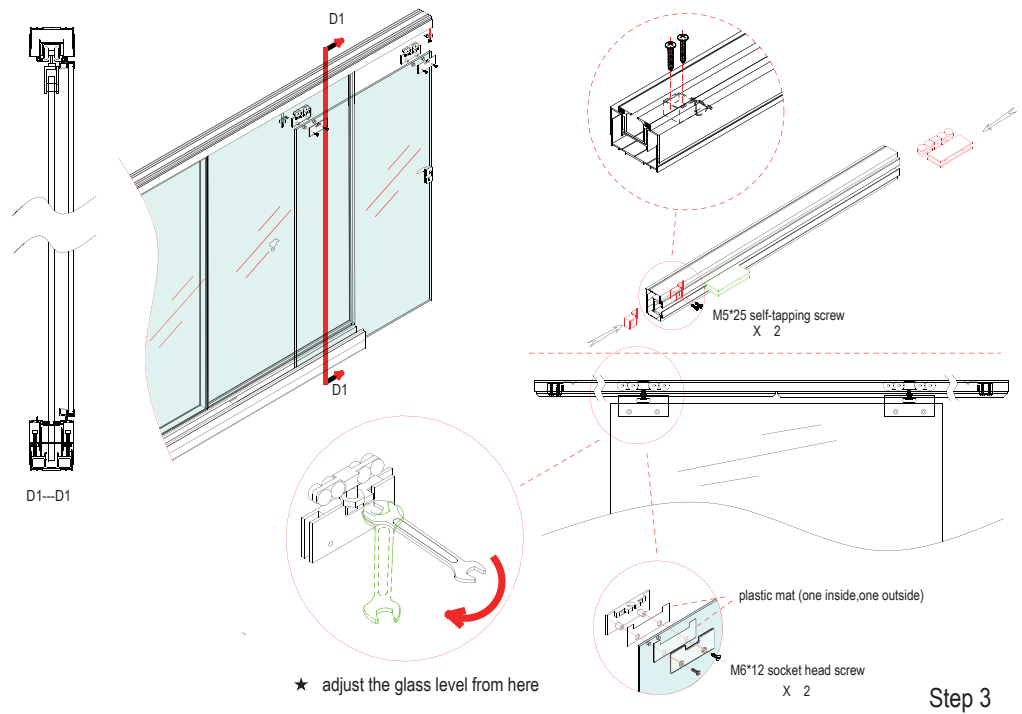
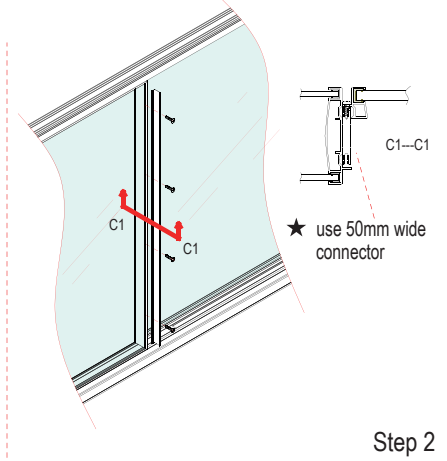
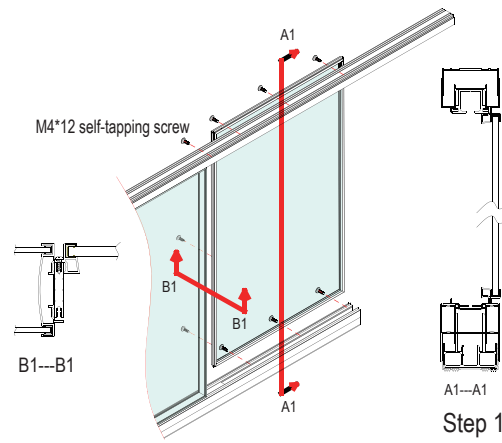
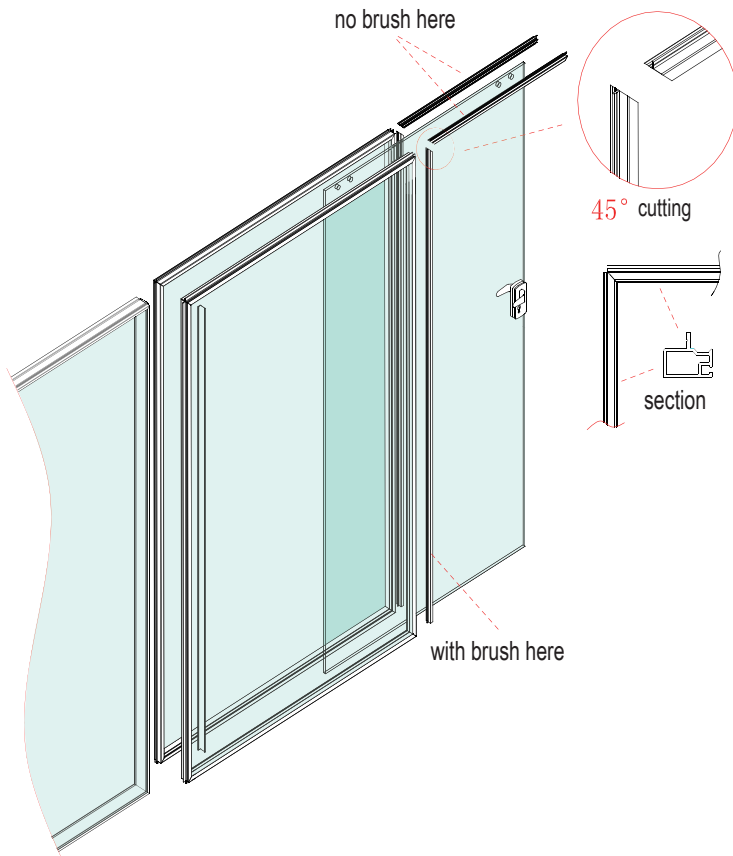
B top channel assembling:



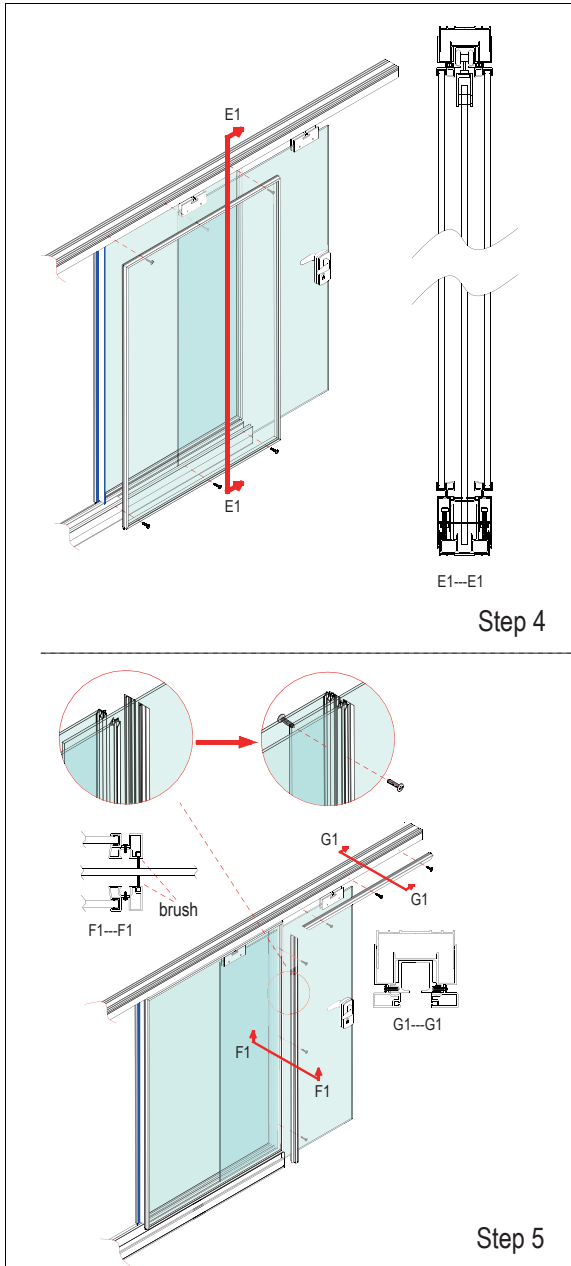
M4\*30 counter-sunk screw with plastic insert



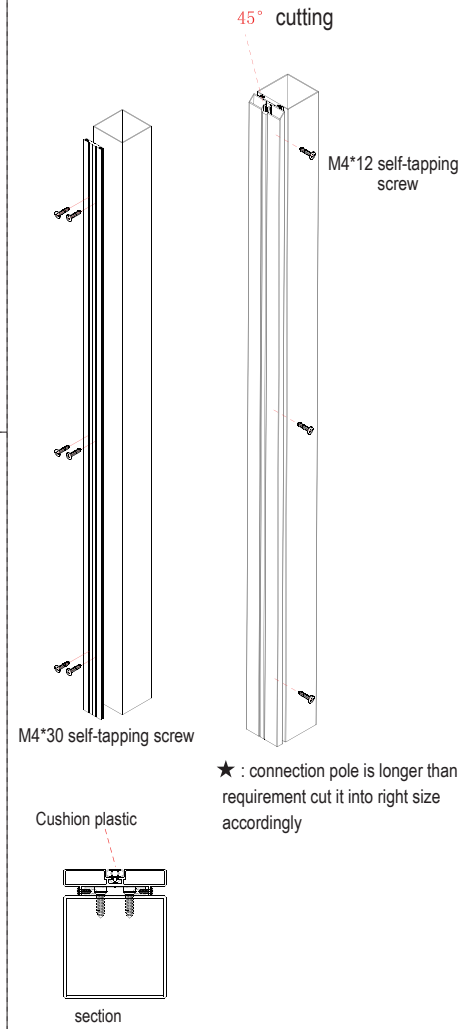
**C** Door frame assembling:







**D: right door frame assembling**



**E: Lock assembling**

**Locking tab assembling**

